

57 Front mounting

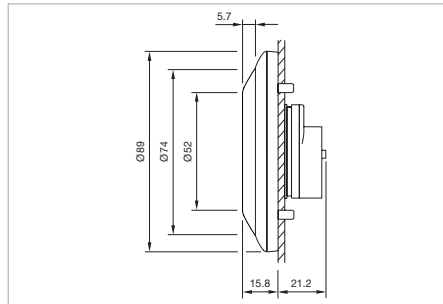
Indicator



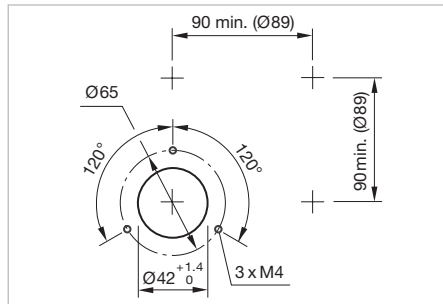
The preview is based on a sample product. This can differ from your current configuration.

Product features

- Extra large illuminated surface, Ø 52 mm
- LEDs ensure an optimal illumination
- Cable and front bezel are available as single parts
- Please fill in the form and forward it to your local EAO partner by e-mail or fax. The electronic form is available at <http://www.eao.com/offer57>

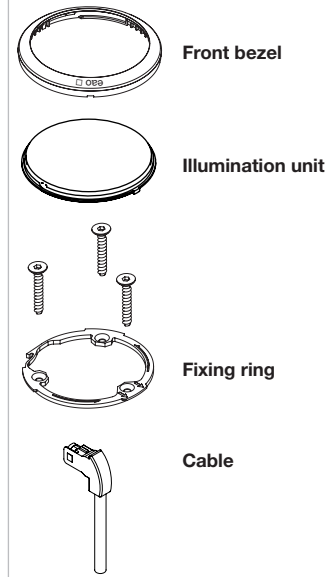


Dimensions [mm]



Mounting cut-outs [mm]

Equipment consisting of



Front bezel

plastic		aluminium
<input type="checkbox"/> green RAL 6032	<input type="checkbox"/> red RAL 3000	<input type="checkbox"/> natural anodized
<input type="checkbox"/> blue RAL 5015	<input type="checkbox"/> yellow RAL 1023	
<input type="checkbox"/> grey RAL 7040	<input type="checkbox"/> black RAL 9017	

Symbols

<input type="checkbox"/>	<input type="checkbox"/>	<input type="checkbox"/>	<input type="checkbox"/>	<input type="checkbox"/>	<input type="checkbox"/>	<input type="checkbox"/>	<input type="checkbox"/>
<input type="checkbox"/>	<input type="checkbox"/>	<input type="checkbox"/>	<input type="checkbox"/>	<input type="checkbox"/>	<input type="checkbox"/>	<input type="checkbox"/>	<input type="checkbox"/>
<input type="checkbox"/>	<input type="checkbox"/>	<input type="checkbox"/>	<input type="checkbox"/>	<input type="checkbox"/>			

Illumination

Single coloured			Bicoloured		
<input type="checkbox"/> red	<input type="checkbox"/> yellow	<input type="checkbox"/> green	<input type="checkbox"/> red/yellow	<input type="checkbox"/> red/green	<input type="checkbox"/> blue/white
<input type="checkbox"/> blue	<input type="checkbox"/> white				

Optional lighting effects

No Yes

With optional light effect functions

PIN 2	<input type="checkbox"/> Red <input type="checkbox"/> Yellow <input type="checkbox"/> Green <input type="checkbox"/> Blue <input type="checkbox"/> White (Please advise one colour)	<input type="checkbox"/> Flashing frequency	<input type="checkbox"/> Constant lighting <input type="checkbox"/> 0.2 Hz <input type="checkbox"/> 0.5 Hz <input type="checkbox"/> 1.0 Hz <input type="checkbox"/> 2.5 Hz
		<input type="checkbox"/> Brightness	<input type="checkbox"/> 50 % <input type="checkbox"/> 100 %
PIN 3	<input type="checkbox"/> Red <input type="checkbox"/> Yellow <input type="checkbox"/> Green <input type="checkbox"/> Blue <input type="checkbox"/> White (Please advise one colour)	<input type="checkbox"/> Flashing frequency	<input type="checkbox"/> Constant lighting <input type="checkbox"/> 0.2 Hz <input type="checkbox"/> 0.5 Hz <input type="checkbox"/> 1.0 Hz <input type="checkbox"/> 2.5 Hz
		<input type="checkbox"/> Brightness	<input type="checkbox"/> 50 % <input type="checkbox"/> 100 %
PIN 4	<input type="checkbox"/> Red <input type="checkbox"/> Yellow <input type="checkbox"/> Green <input type="checkbox"/> Blue <input type="checkbox"/> White (Please advise one colour)	<input type="checkbox"/> Flashing frequency	<input type="checkbox"/> Constant lighting <input type="checkbox"/> 0.2 Hz <input type="checkbox"/> 0.5 Hz <input type="checkbox"/> 1.0 Hz <input type="checkbox"/> 2.5 Hz
		<input type="checkbox"/> Brightness	<input type="checkbox"/> 50 % <input type="checkbox"/> 100 %

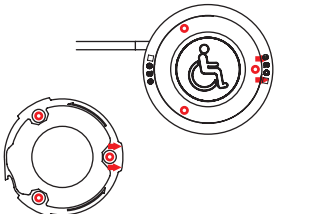
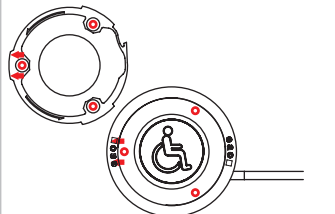
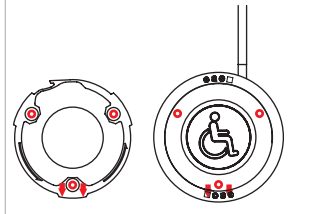
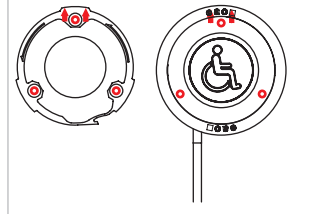
Note: Total up to 3 lighting effects available per indicator, please see «Illumination».

Supply voltage

24 VDC 110 VDC

Tolerance +30 % ... -30 %

Cable exit

<input type="checkbox"/> cable exit left 	<input type="checkbox"/> cable exit right 	<input type="checkbox"/> cable exit top 	<input type="checkbox"/> cable exit bottom 
---	--	---	---

Cable length

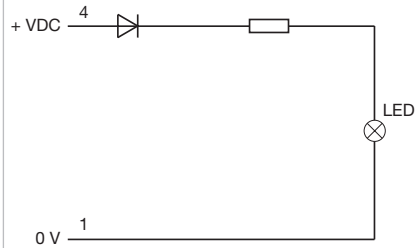
A = 200 mm (standard) A = 1000 mm A = 2000 mm _____ mm

Cable + Connector type

Cable	Connector	Connector pin assignment		
			<input type="checkbox"/> standard	<input type="checkbox"/> special
<input type="checkbox"/> 2 x 0.50 mm ²	<input type="checkbox"/> Core end-sleeves		<input type="checkbox"/> 1	<input type="checkbox"/> —
<input type="checkbox"/> 4 x 0.50 mm ²	<input type="checkbox"/> AMP MateNLok	Pin 1	1	—
	<input type="checkbox"/> WAGO X-COM 769	Pin 2	2	—
	<input type="checkbox"/> DEUTSCH connector	Pin 3	3	—
		Pin 4	4	—

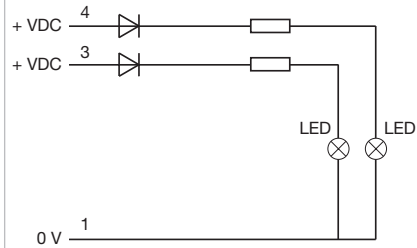
57 Front mounting

Single-colour, no lighting effects



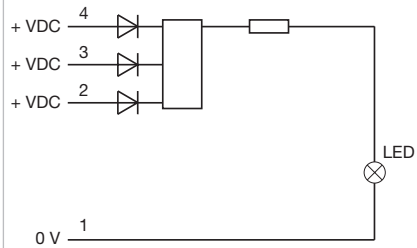
Wiring diagram 1

Dual-colour, no lighting effects



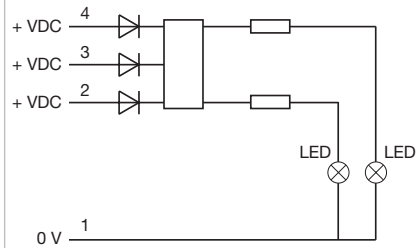
Wiring diagram 2

Single-colour, with lighting effects



Wiring diagram 3

Dual-colour, with lighting effects



Wiring diagram 4

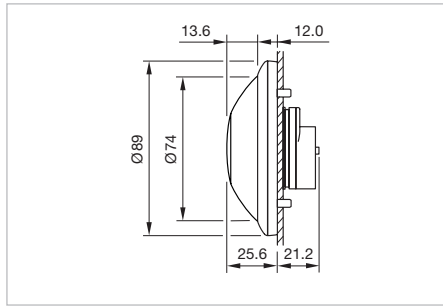
Warning indicator



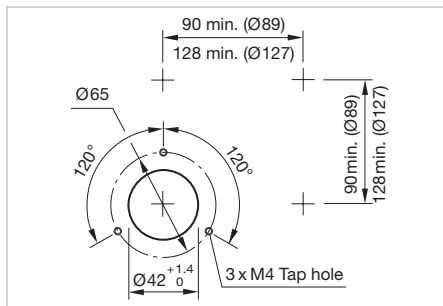
The preview is based on a sample product. This can differ from your current configuration.

Product features

- Extra large illuminated lens, Ø 74 mm
- LEDs ensure an optimal illumination
- Cable and front bezel are available as single parts
- Please fill in the form and forward it to your local EAO partner by e-mail or fax. The electronic form is available at <http://www.eao.com/offer57>

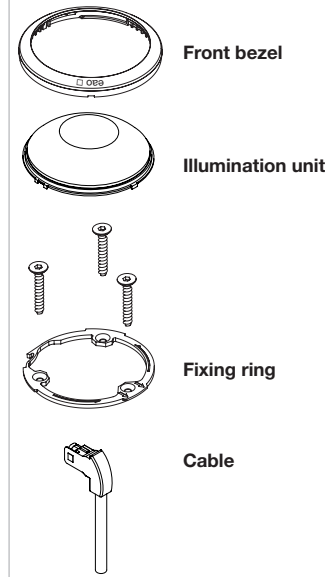


Dimensions [mm]



Mounting cut-outs [mm]

Equipment consisting of



Front bezel

plastic

green RAL 6032

blue RAL 5015

grey RAL 7040

red RAL 3000

yellow RAL 1023

black RAL 9017

aluminium

natural anodized

Illumination

red

yellow

Supply voltage

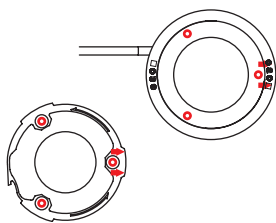
24 VDC

110 VDC

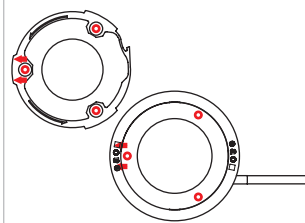
Tolerance +30 % ... -30 %

Cable exit

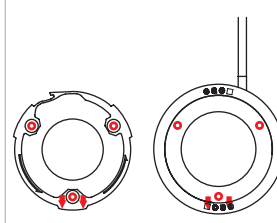
cable exit left



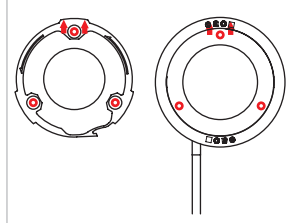
cable exit right



cable exit top



cable exit bottom



57 Front mounting

Cable length

 A = 200 mm

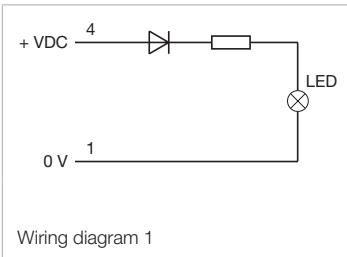
 A = 1000 mm

 A = 2000 mm

 _____ mm


Cable + Connector type

Cable	Connector	Connector pin assignment		
<input type="checkbox"/> 2x0.50 mm ²	<input type="checkbox"/> Core end-sleeves		<input type="checkbox"/> standard	<input type="checkbox"/> special
	<input type="checkbox"/> AMP MateNLok	Pin 1	1	—
	<input type="checkbox"/> WAGO X-COM 769	Pin 4	4	—
	<input type="checkbox"/> DEUTSCH connector			




Mounting



Dismantling tool

Part No.	Weight
 <p>Dismantling tool to front bezel</p>	
57-9901	0.011 kg

Mounting plate

Dimension	Mounting cut-out	Material	Part No.	Weight
 <p>Mounting plate</p>				
Ø 88 mm	Ø 42.5 mm	Chromstahl	57-9905	0.066 kg

Mounting enclosure

Product	Dimension	Mounting cut-out	Material	Part No.	Weight
 <p>Mounting enclosure flush version</p>					
suitable for the most common in-wall flush boxes	100 x 100 mm	Ø 45 mm	Plastic black	57-9903	0.073 kg
 <p>Mounting enclosure surface version</p>					
for direct wall mounting, with cable relief, break-out cable entries	100 x 100 mm	Ø 45 mm	Plastic black	57-9904	0.118 kg

Protection degree

Front side IP 69 K
Rear side IP 67

Impact resistance

IK07

Climate resistance

Damp heat, cyclic
48 hours, +25 °C/97 %, +55 °C/93 % relative humidity,
as per EN IEC 60068-2-30

Damp heat, state
56 days, +40 °C/93 % relative humidity, as per
EN IEC 60068-2-78
Salt spray 96 h (DIN EN 60068-2-11)

Rapid change of temperature
5 cycles, -45 °C ... +90 °C, as per EN IEC 60068-2-14

Shock resistance

50 g, pulse width 11 ms, 6 shocks/axis as per
DIN EN 60068-2-27

Vibration resistance

Broad band noise as per EN 61373 class 1B
10 g from 10 Hz ... 500 Hz, as per DIN EN 60068-2-6

Approvals
Approbations

E1
EBC
NFF

Declaration of conformity

CE
TSI/PRM

Indicator
Material
Connection cable

Halogen-free, flame retardant, cross-linked by e-beam irradiation
Polymer according to EN 50306-2

Lens

Polyamide (PA12)

Front bezel

Polyamide (PA66-GF25)

Housing

Polyamide (PA66-GF25)

Mechanical characteristics
Terminals

AMP Mini Universal MateNLok
WAGO X-COM 769
DEUTSCH connector
Open ends with core end-sleeves

Wire cross-section

Cable 2-poles 0.5mm²
Cable 4-poles 0.5mm²

Cable length

200 mm, 1000 mm, 2000 mm

Fixing screws

Countersunk screws M4 x 10 mm

Tightening torque

max. 100 Ncm

Key (mounting and dismantling)

Hexagon socket wrench size 2.5 mm

Electrical characteristics
Illumination

Single-colour: LED red, yellow, green, blue, white
Bicolour: LED red/yellow, red/green, blue/white
Supply voltage 24 VDC ±30 %
110 VDC ±30 %
Current consumption < 60 mA

Luminosity and wave length variations caused by LED manufacturing processes may cause slight differences regarding the illumination.

Units compliant to

EN 60947-5-1
EN 50155
EN14752
EN 45545

EMC

EN 61000-6-2, EN 61000-6-3, EN 50121-3-2

Cables according to

EN 50306-2; VDE 0260-306-2
EN 50306-4; VDE 0260-306-4
NFF 63808/NFF 61030

Environmental conditions
Storage temperature

-45 °C ... +90 °C

Operating temperature

-40 °C ... +85 °C

Protection degree

Front side IP 69 K
Rear side IP 67

Impact resistance

IK07

Climate resistance

Damp heat, state
56 days, +40 °C/93 % relative humidity,
as per EN IEC 60068-2-78

Rapid change of temperature
5 cycles, -45 °C ... +90 °C, as per EN IEC 60068-2-14

Shock resistance

(semi-sinusoidal)
max. 500 m/s², pulse width 11 ms, as per EN IEC 60068-2-27

Vibration resistance

(sinusoidal)
max. 100 m/s² at 10 Hz ... 500 Hz, as per EN IEC 60068-2-6

Approvals

Approbations

NFF

Declaration of conformity

CE

Warning indicator

Material

Connection cable

Halogen-free, flame retardant, cross-linked by e-beam irradiation
Polymer according to EN 50306-2

Lens

Polyamide (PA12)

Front bezel

Polyamide (PA66-GF25)

Housing

Polyamide (PA66-GF25)

Mechanical characteristics

Terminals

AMP Mini Universal MateNLok
WAGO X-COM 769
DEUTSCH connector
Open ends with core end-sleeves

Wire cross-section

Cable 2-poles 0.5mm²

Cable length

200 mm; 1000 mm; 2000 mm

Fixing screws

Countersunk screws M4 x 10 mm

Tightening torque

max. 100 Ncm

Key (mounting and dismantling)

Hexagon socket wrench size 2.5 mm

Electrical characteristics

Illumination

LED red, yellow
Supply voltage 24 VDC ±30 %
110 VDC ±30 %
Current consumption < 50 mA

Luminosity and wave length variations caused by LED manufacturing processes may cause slight differences regarding the illumination

Units compliant to

EN 60947-5-1
EN 50155
EN14752

EMC

EN 61000-6-2, EN 61000-6-3, EN 50121-3-2

Cables according to

EN 50306-2; VDE 0260-306-2
EN 50306-4; VDE 0260-306-4
NFF 63808 / NFF 61030

Environmental conditions

Storage temperature

-45 °C ... +90 °C

Operating temperature

-40 °C ... +85 °C

Protection degree

Front side IP 69 K
Rear side IP 67

Impact resistance

IK07

Climate resistance

Damp heat, state
56 days, +40 °C / 93 % relative humidity,
as per EN IEC 60068-2-78

Rapid change of temperature
5 cycles, -45 °C ... +90 °C, as per EN IEC 60068-2-14

Shock resistance

(semi-sinusoidal)
max. 500 m/s², pulse width 11 ms, as per EN IEC 60068-2-27

Vibration resistance

(sinusoidal)
max. 100 m/s² at 10 Hz ... 500 Hz, as per EN IEC 60068-2-6

Approvals

Declaration of conformity

CE

Emergency call button

Switching system

The Series 57 is equipped with an electronic high side switch, is short circuit proof and overload protected. In case of over current the switch opens automatically (protection against destruction).

Material

Connection cable

Halogen-free, flame retardant, cross-linked by e-beam irradiation
Polymer according to EN 50306-2

Front bezel

Aluminium anodized

Housing

Polyamide (PA66-GF25)

Symbol insert

Polyamide (PA66-GF25)
Aluminium anodized

Lens/Symbols

Polyamide (PA12)

Mechanical characteristics

Terminals

AMP Mini Universal MateNLok
WAGO X-COM 769
DEUTSCH connector
Open ends with core end-sleeves

Wire cross-section

Wire 6-poles 0.24 mm²
Wire 6-poles 0.5 mm²

Cable length

200 mm, 1000 mm, 2000 mm

Fixing screws

Countersunk screws M4 x 10 mm

Tightening torque

max. 100 Ncm

Key (mounting and dismantling)

Hexagon socket wrench size 2.5 mm

Actuating force

max. 15 N

Actuating travel

~0.5 mm

Mechanical lifetime

2 million cycles of operation

Electrical characteristics

Illumination

Side-LED yellow for outer ring
Side-LED yellow for inner ring

Luminosity and wave length variations caused by LED manufacturing processes may cause slight differences regarding the illumination

Units compliant to

EN 60947-5-1
EN 50155
EN14752

EMC

EN 61000-6-2
EN 61000-6-3
EN 50121-3-2
ESD min. 20 kV

Cables according to

EN 50306-2; VDE 0260-306-2
EN 50306-4; VDE 0260-306-4
NFF 63808 / NFF 61030