

56 Front mounting

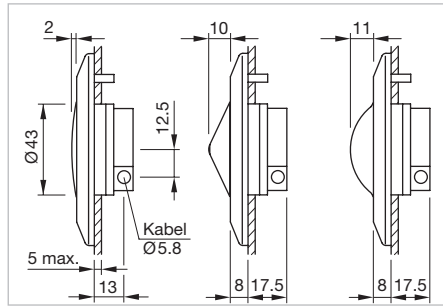
Single side indicator



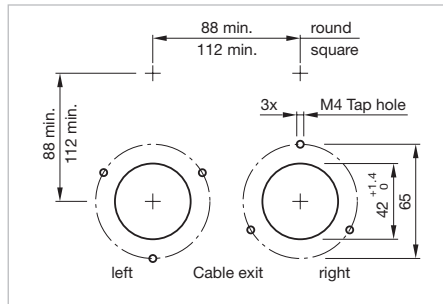
The preview is based on a sample product. This can differ from your current configuration.

Additional Information

- Please fill in the form and forward it to your local EAO partner by e-mail or fax. The electronic form is available at <http://www.eao.com/offer56>

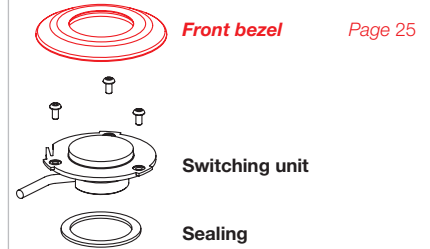


Dimensions [mm] [mm]



Mounting cut-outs [mm]

Equipment consisting of



Each part listed below includes all the black components shown in the 3D-drawing.

To obtain a complete unit, please select the red components from the pages shown.

Front cap

- Plastic colourless flush
 Plastic colourless raised
 Plastic colourless half round

Marking (Text or symbol)

- without marking
- with marking
 1 line
 2 line
 3 line
 symbol

	Example: 	Example: 	Example: 	<input type="checkbox"/>	<input type="checkbox"/>
				<input type="checkbox"/>	<input type="checkbox"/>
				<input type="checkbox"/>	<input type="checkbox"/>

Illumination

- LED green
 LED red
 LED yellow
 LED white
 LED blue

Supply voltage illumination

- 24 VDC
 110 VDC

Tolerance +25% ... -30%

Cable exit

 cable exit right

 cable exit left

Cable length

 A = 200mm

 A = 500mm

 A = 1000mm

 A = 1500mm

 _____ mm

Cable and Connector type

Cable	Connector
<input type="checkbox"/> 2x0.24mm ²	<input type="checkbox"/> core end-sleeves
	<input type="checkbox"/> AMP Connector Mate-N-Lok (Wiring diagram 2)
	<input type="checkbox"/> DEUTSCH connector (Wiring diagram 2)
	<input type="checkbox"/> AMP Connector 2.8x0.8 (Wiring diagram 1)
	<input type="checkbox"/> AMP Connector 6.3x0.8 (Wiring diagram 2)

Housing

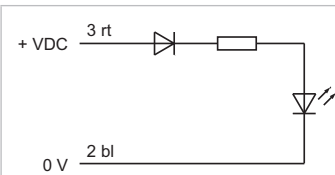
 housing D73 (standard)

 housing reworked 50x50mm

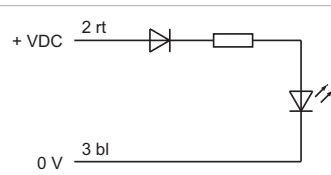
 housing reworked 68.5x50mm

The drawings you will find from page 36

The component layout No. 1 you will find from page 36



Wiring diagram 1



Wiring diagram 2