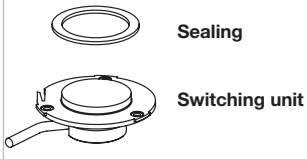
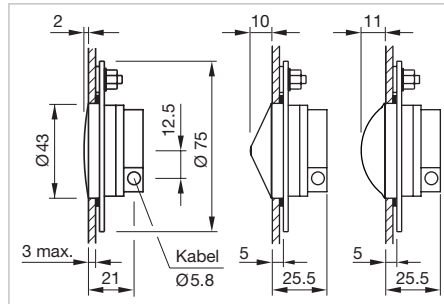


## Single side indicator

### Equipment consisting of



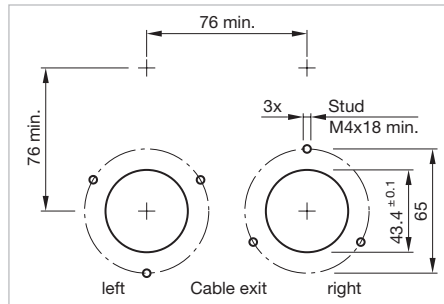
Each part number listed below includes all the black components shown in the 3D-drawing.



Dimensions [mm]



The preview is based on a sample product. This can differ from your current configuration.



Mounting cut-outs [mm]

### Additional Information

- Please fill in the form and forward it to your local EAO partner by e-mail or fax. The electronic form is available at <http://www.eao.com/offer56>

### Front cap

- Plastic colourless flush
  Plastic colourless raised
  Plastic colourless half round

### Marking (Text or symbol)

- without marking
- with marking
  1 line
  2 line
  3 line
  symbol

	Example: 	Example: 	Example: 	<input type="checkbox"/>	<input type="checkbox"/>
				<input type="checkbox"/>	<input type="checkbox"/>
				<input type="checkbox"/>	<input type="checkbox"/>

### Illumination

- LED green
  LED red
  LED yellow
  LED white
  LED blue

### Supply voltage

- 24 VDC
  110 VDC

Tolerance +25% ... -30%

# 56 Rear mounting

## Cable exit

cable exit right  cable exit left

## Cable length

A = 200 mm  A = 500 mm  A = 1000 mm  A = 1500 mm  \_\_\_\_\_ mm

## Cable + Connector type

Cable	Connector
<input type="checkbox"/> 2*0.24 mm <sup>2</sup>	<input type="checkbox"/> core end-sleeves
	<input type="checkbox"/> AMP Connector Mate-N-Lok (Wiring diagram 2)
	<input type="checkbox"/> DEUTSCH connector (Wiring diagram 2)
	<input type="checkbox"/> AMP Connector 2.8x0.8 (Wiring diagram 1)
	<input type="checkbox"/> AMP Connector 6.3x0.8 (Wiring diagram 2)

## Housing

housing D73 (standard)  housing reworked 50x50 mm  housing reworked 68.5x50 mm

The drawings you will find from page 36

The component layout No. 1 you will find from page 36

