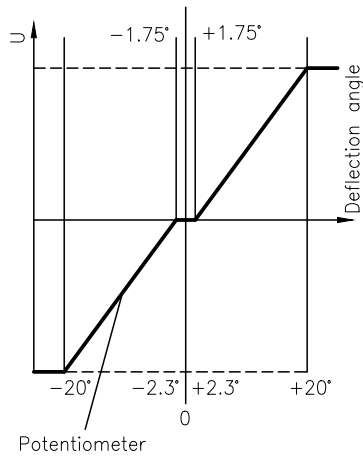
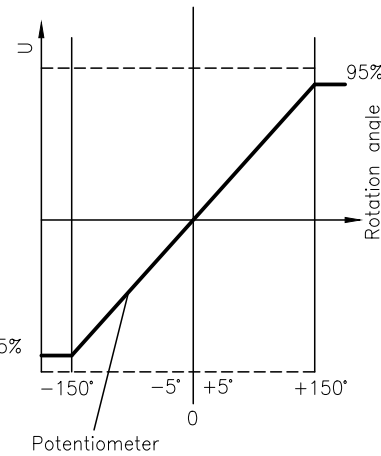


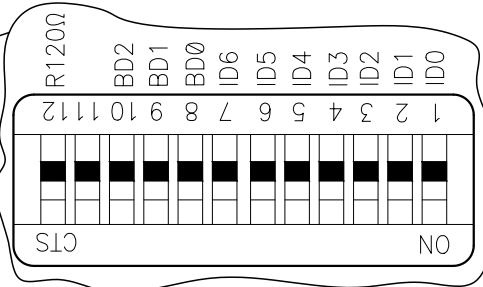
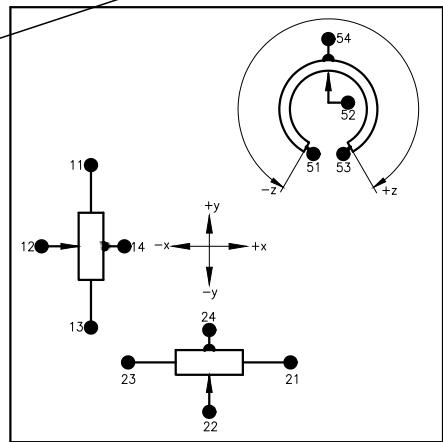
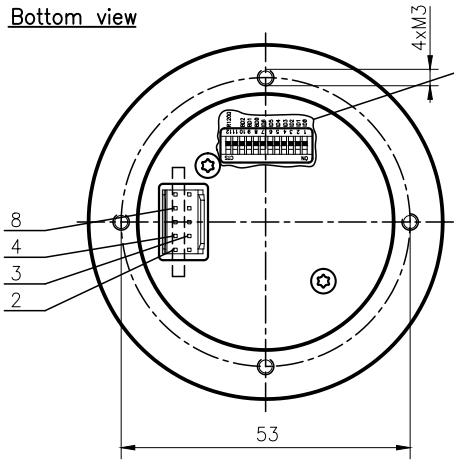
**Output diagram**  
x-axis / y-axis



**Output diagram**  
z-axis



**Bottom view**



Description			
Joystick type SK 60-0777			
Number of axes	3-axes, x-axis, y-axis, z-axis		
Operation by	Handle with integrated z-axis x,y,z-axis with friction brake		
Connector: DUBOX Walled Header	10-poles: 76385-305		
Mating connector: Dubox Housing	10-poles: 65239-005		
Electrical characteristics			
Resistance value	5 kOhm ± 20%		
Power dissipation	0.2 Watt at 40°C per axis		
Operating voltage	max. 24V DC		
Data communication	CANopen / 10kbps - 1Mbps		
Terminating resistor	Can be activated on DIP-switch pin 12 (120 Ω)		
Axes		Potentiometer side	Connector side
	Direction	Colour/ number	Center tab Joystick in mid-position
x-axis	↑ +x	21	
	Wiper	22	24
	↓ -x	23	
	Wiper	12	14
y-axis	↑ +y	11	
	Wiper	12	14
	↓ -y	13	
	Wiper	52	54
z-axis	↑ +z	53	
	Wiper	52	54
	↓ -z	51	
Pin			
1	Do not use		
2	Ground		
3	CAN_L		
4	CAN_H		
5-7	Do not use		
8	VCC (24V Supply)		
9	Do not use		
10	Do not use		

				Oberfläche	Maßstab 1:1	Position	Menge
				Datum	Name	<b>Joystick</b>	
				Bearb. 18.04.11	M. Kiener		
				Gepr. 10.11.16	VB		
				Norm			
b	Neue Reibbremse-System	29.07.15	MK	<b>GENGE &amp; THOMA AG</b>		<b>60-0777b</b>	Blatt
a	DIP-switch	27.07.2011		OH-2543 Lengnau/Biel			Bl
Zust.	Anderungen	Datum	Name	Dateiname	E:\Dwg\Qwg_SK60_160-0777b.dwg		