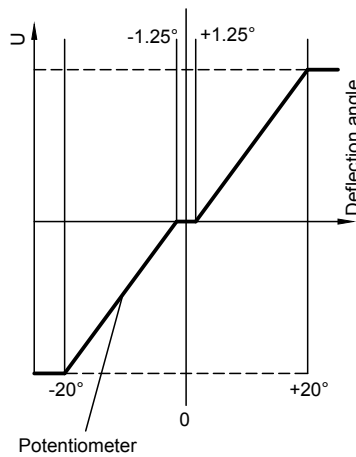


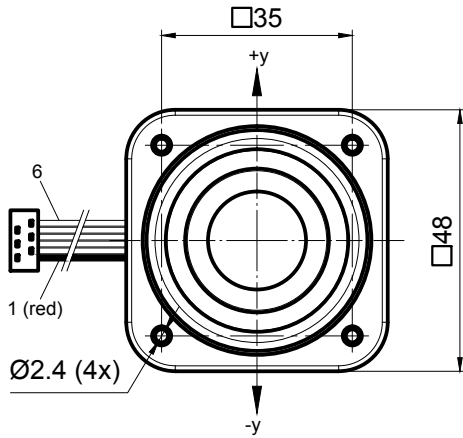
Output diagram y-axis



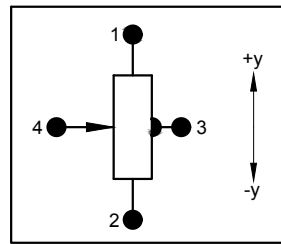
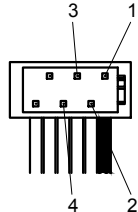
Description	
Joystick type SK 41-0108	
Number of axes	1-axis, y-axis
Operation by	"Klein" handle
Connector	Micro match, 6 poles
Mating connector	Micro match strip female, 6 poles
Cross guidance	none
Center tab	±1.25°
Retaining spring	regular Z-Nr. 60-112
Switch function	none
Switchpoint α	-

Electrical characteristics	
Resistance value	5 kOhm ± 20%
Power dissipation	0.2 Watt at 40°C
Operating voltage	max. 30V DC

Axes	Potentiometer		Switch function	
	Direction	Colour/number	Center tab	Joystick in mid-position
x-axis	↑ +x			
	Wiper			
y-axis	↓ -x			
	↑ +y	1	3	
	Wiper	4		
	↓ -y	2		



Pin assignment



Preliminary

22.03.16



Maßstab 1:1	Position -	Menge -
:	:	:

Datum	Name
Bearb. 22.03.16	Kiener M.
Gepr.	
Norm	

Joystick

Genge & Thoma AG
joysticks & sensors



41-0108

Blatt -
BI