

Description

Joystick type 212-008	
Number of axes	2-axes, x-axis, y-axis
Operation by	Multifunction handle
Cross guidance	soft
Retaining spring	normal, P/N: 200385
Connector:	7x wires AWG 28, l.: 70cm

Electrical characteristics

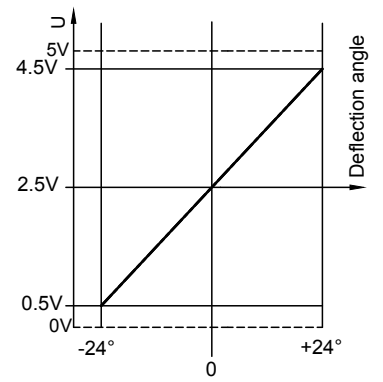
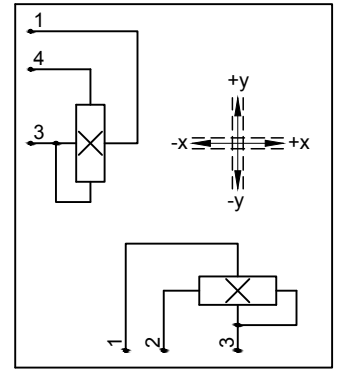
Operating voltage	5 V DC
Sensor	Hall effect technology
Pushbutton	APEM IA, 24 V DC, 2A, P/N: 100277.03
Safety applications	Safety relevant applications may need special features not described in this sheet

Pin

1	red	Supply voltage (5 V DC)
2	yellow	x (-x=0.5V, middle=2.5V, +x=4.5V)
3	black	Ground
4	green	y (-y=0.5V, middle=2.5V, +y=4.5V)
5	violet	Pushbutton 1
6	brown	Pushbutton 2
7	blue	Pushbutton common

Output diagram

(x-, y-axis)



Preliminary

01.05.18	Datum	Name	Maßstab 1:1	Position	Menge
	Bearb. 01.05.18	Kiener M.		-	-
	Gepr.			-	-
	Norm			-	-
Genge & Thoma AG joysticks & sensors			Blatt		
			212-008		
			Bl		