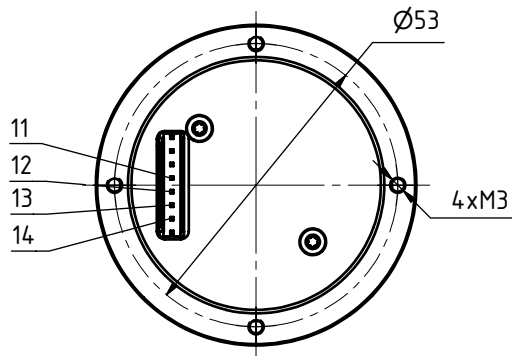
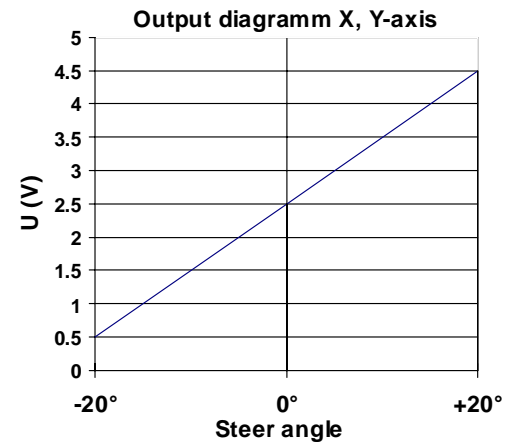


Bottom view



Description	
Joystick Type SK 60-0620	
Number of axis	2-axis, X-,Y-axis
Operation by	Rubber bellow 48-203 (sealed)
Cross guide	light
Retaining spring	normal, Z-Nr. 60-112
Plug:	8-poles: 76384-308
DUBOX Walled Header	
Counter plug:	8-poles: 65240-008
DUBOX Housing	
Electrical characteristics	
Operating voltage	5 V DC
Sensor	Hall principle
Pin	
11	Supply voltage 5V
12	Ground (0V)
13	x (-x=0.5V, middle=2.5V, +x=4.5V)
14	y (-y=0.5V, middle=2.5V, +y=4.5V)

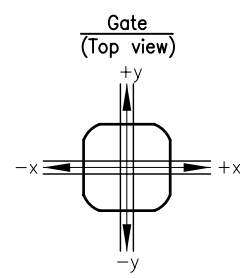
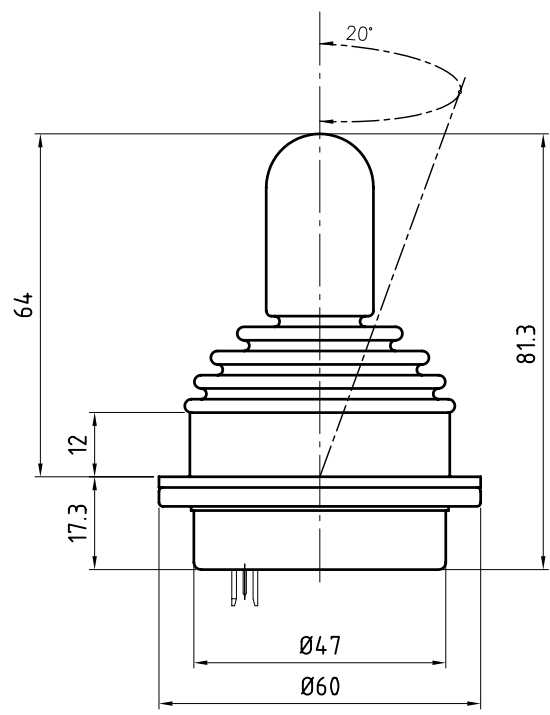


		Oberfläche	Masstab: 1:1	Position:	Menge:
h		Datum	Name		
g		Bearb.	30.06.10	Kiener M.	
f		Geprü.			
e		Norm			
d					
c					
b					
a					
		GENGE & THOMA AG <small>CH-2543 Lengnau/Biel</small>		Blatt 1 Bl	
Zust.	Änderungen	Datum	Name	Dateiname: \\Cad6gt\AIDATA-GT\1_GT_Projekte\1_1_Joysticks\SK60\Typenzeichnungen\60-0620.idw	

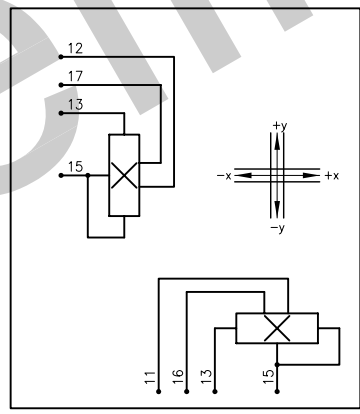
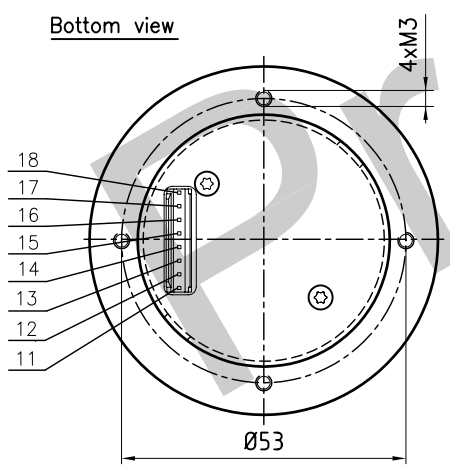
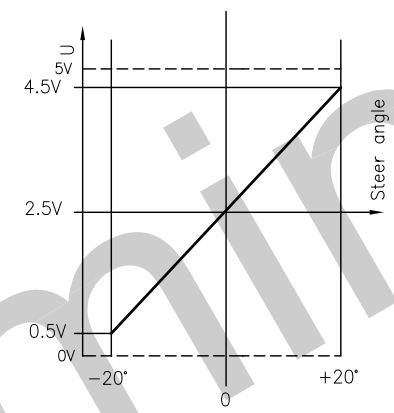
Joystick

SK 60

60-0620



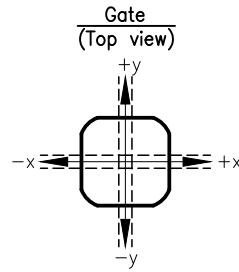
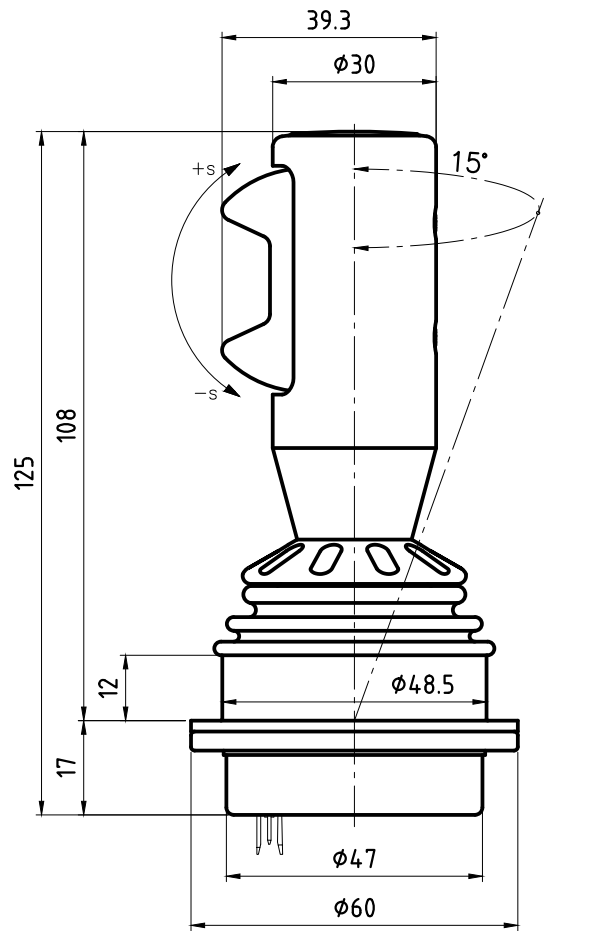
Output diagram



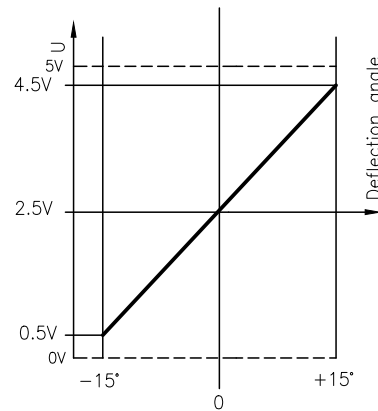
Description	
Joystick Type SK 60-0822	
Number of axes	2-axes, x-axis, y-axis
Operation by	Rubber bellow 48-203 (sealed)
Cross guidance	rigid
Switch function	none
Retaining spring	normal, Z-Nr. 60-112
Connector: DUBOX Walled Header	8-poles: 76384-308
Mating connector: Dubox Housing Anti-rotation locking	8-poles: 65240-008

Electrical characteristics	
Operating voltage	5 V DC
Sensor	Hall effect
Pin	
11	x2 (-x=0.5V, middle=2.5V, +x=4.5V)
12	y2 (-y=0.5V, middle=2.5V, +y=4.5V)
13	Supply voltage (5V)
14	Do not use
15	Ground
16	x1 (-x=0.5V, middle=2.5V, +x=4.5V)
17	y1 (-y=0.5V, middle=2.5V, +y=4.5V)
18	Do not use

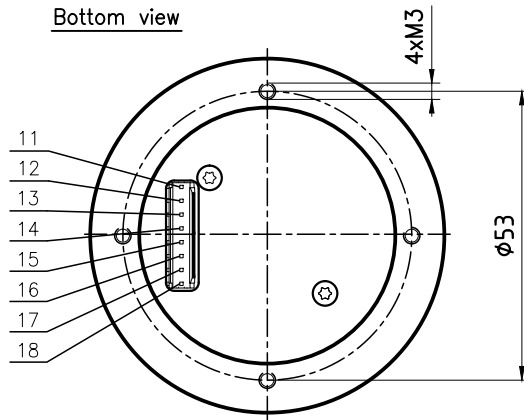
		Oberfläche	Maßstab 1:1	Position	Menge
		Datum	Name	Joystick	
		Bearb. 22.11.11	Kiener M.		
		Gepr.			
		Norm			
		GENGE & THOMA AG <small>CH-2543 Lengnau/Biel</small>		60-0822	
Zust.	Änderungen	Datum	Name	Dateiname: E:\DWG\LSK_60\LSK60-0822.dwg	Blatt
					Bl



Output diagram



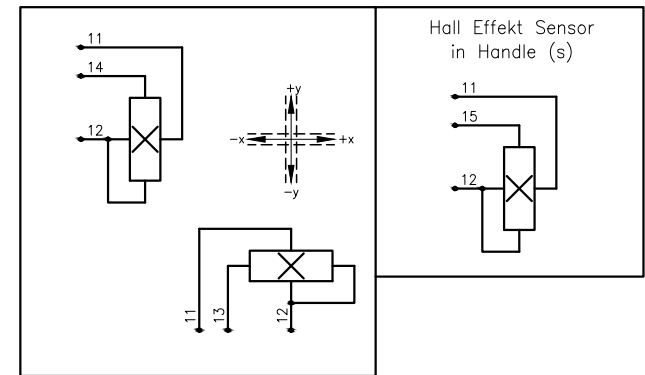
Bottom view



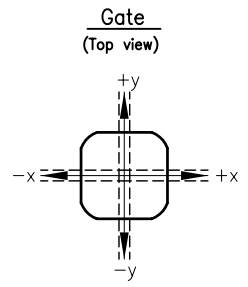
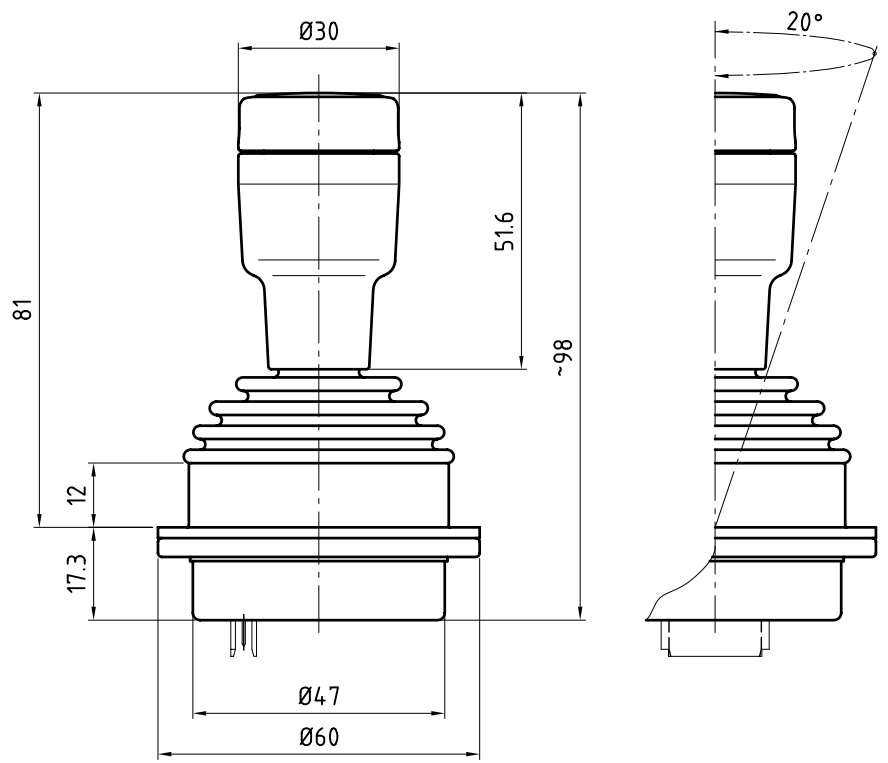
Description	
Joystick type SK 60-0838	
Number of axes	2-axes, x-axis, y-axis
Operation by	Handle with hall-effect rocker switch
Cross guidance	soft
Connector: DUBOX Walled Header	8-poles: 76384-308
Mating connector: Dubox Housing	8-poles: 65240-008

Electrical characteristics	
Operating voltage	5V DC
Sensor	Hall effect technology
Type of switches	Hall effect rocker switch

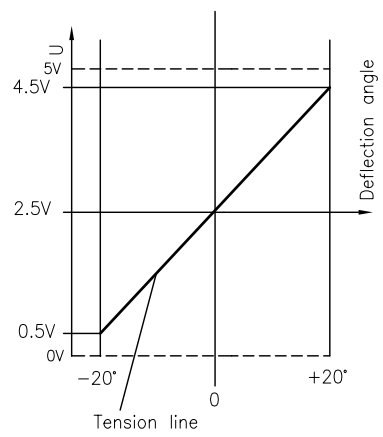
Pin	
11	Supply voltage 5V DC
12	Ground
13	x (-x=0.5V, middle=2.5V, +x=4.5V)
14	y (-y=0.5V, middle=2.5V, +y=4.5V)
15	Do not use
16	Do not use
17	Output rocker switch (-s=0.5V, middle=2.5V, +s=4.5V)
18	Do not use



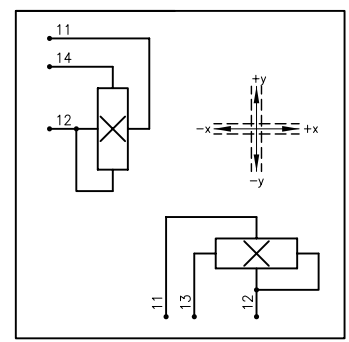
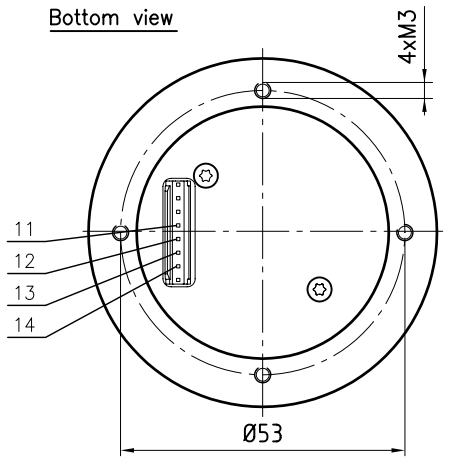
				Oberfläche	Maßstab 1:1	Position	Menge
				Datum	Name	Joystick	
				Bearb. 23.03.12	Kiener M.		
				Gepr. 07.04.17	Hess C.		
				Norm			
				GENGE & THOMA AG		60-0838	Blatt
				AG Ott-2543 Lengnau/Biel			Bt
-	Dokumenten Anpassung 1	29.06.17	MK	Dateiname: E:\Dwg\SK_60\..._SK60-0838.dwg			
Zust.	Anderungen	Datum	Name				



Output diagram



Bottom view

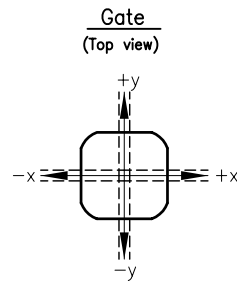
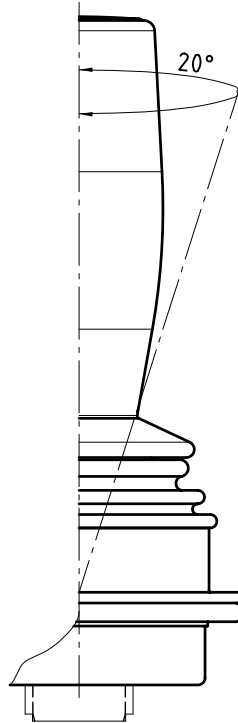
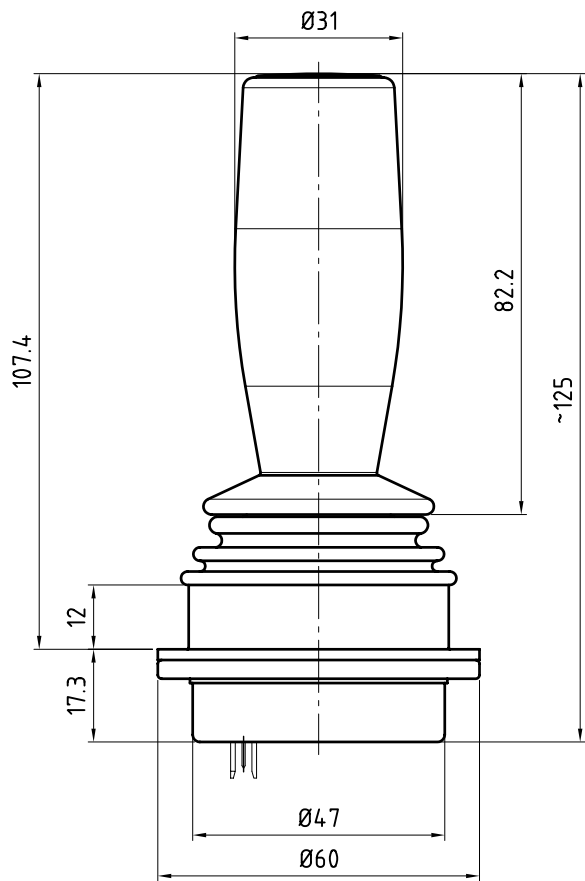


Description	
Joystick Type SK 60-0901	
Number of axes	2-axes, x-axis, y-axis
Operation by	Goblet handle
Cross guidance	soft
Switch function	none
Retaining spring	normal, Z-Nr. 60-112
Connector:	8-poles: 76384-308
DUBOX Walled Header	
Mating connector:	8-poles: 65240-008
Dubox Housing	
Anti-rotation locking	

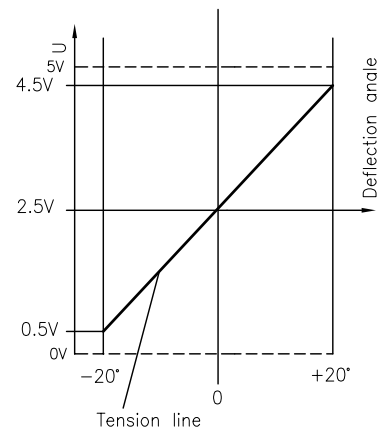
Electrical characteristics	
Operating voltage	5 V DC
Sensor	Hall Effect technology

Pin	
11	Supply voltage
12	Ground
13	x (-x=0.5V, middle=2.5V, +x=4.5V)
14	y (-y=0.5V, middle=2.5V, +y=4.5V)

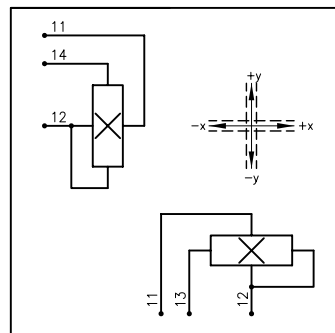
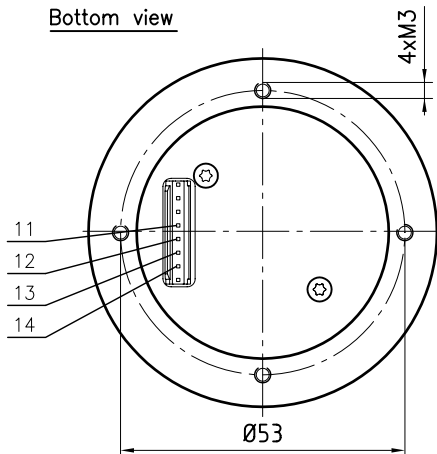
		Oberfläche	Maßstab 1:1	Position	Menge
		Datum	Name	Joystick	
		Bearb. 11.12.12	Kiener M.		
		Gepr.			
		Norm			
		GENGE & THOMA AG <small>OT-2543 Lengnau/Biel</small>		60-0901	
Zust.	Änderungen	Datum	Name	Dateiname: E:\DWG\SK 60\1\SK60-0901.dwg	Blatt
					Bl



Output diagram



Bottom view



Description	
Joystick Type SK 60-0902	
Number of axes	2-axes, x-axis, y-axis
Operation by	Sleek handle
Cross guidance	soft
Switch function	none
Retaining spring	normal, Z-Nr. 60-112
Connector:	8-poles: 76384-308
DUBOX Walled Header	
Mating connector:	8-poles: 65240-008
Dubox Housing	
Anti-rotation locking	

Electrical characteristics	
Operating voltage	5 V DC
Sensor	Hall Effect technology

Pin	
11	Supply voltage
12	Ground
13	x (-x=0.5V, middle=2.5V, +x=4.5V)
14	y (-y=0.5V, middle=2.5V, +y=4.5V)

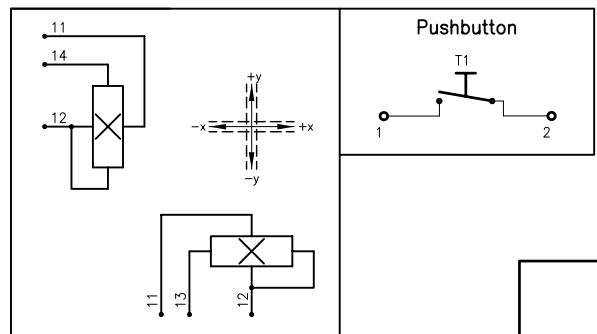
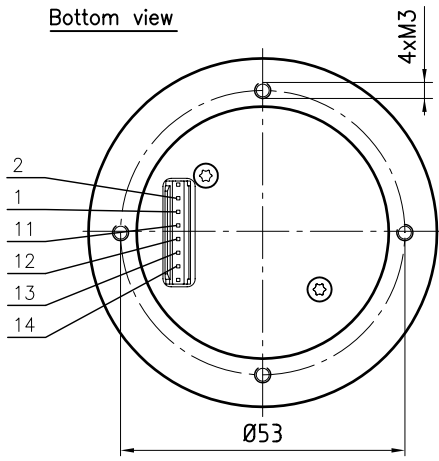
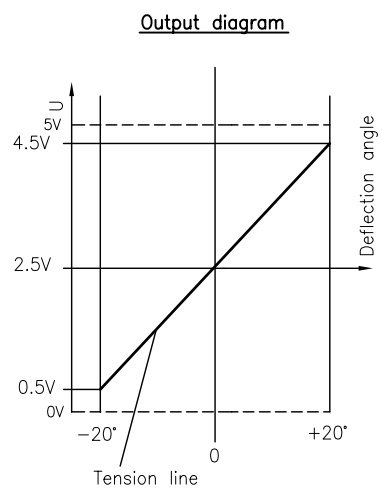
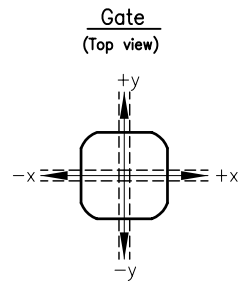
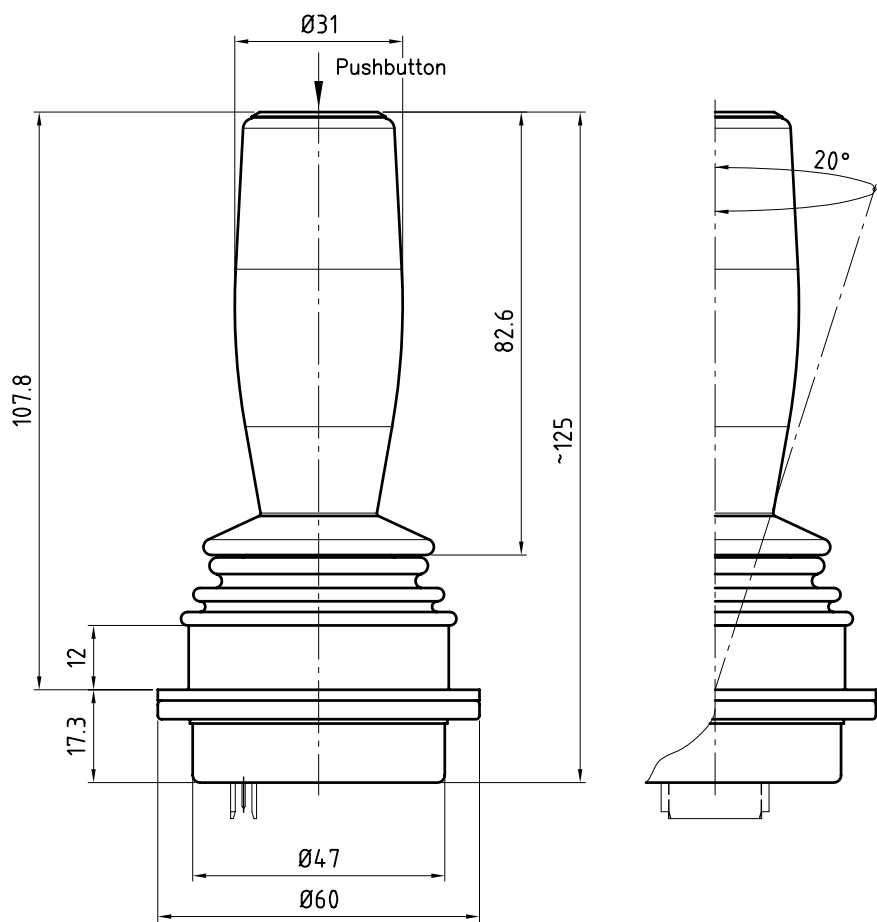
		Oberfläche	Maßstab 1:1	Position	Menge
		Datum	Name	Joystick	
		Bearb. 11.12.12	Kiener M.		
		Gepr.			
		Norm			
		GENGE & THOMA AG <small>OT-2543 Lengnau/Biel</small>		60-0902	Blatt
Zust.	Änderungen	Datum	Name	Dateiname: E:\DWG\LSK_60\LSK60-0902.dwg	Bl

Description	
Joystick Type SK 60-0904	
Number of axes	2-axes, x-axis, y-axis
Operation by	Sleek top, handle with pushbutton
Cross guidance	soft
Switch function	none
Retaining spring	normal, Z-Nr. 60-112
Connector:	8-poles: 76384-308
DUBOX Walled Header	
Mating connector:	8-poles: 65240-008
Dubox Housing	
Anti-rotation locking	

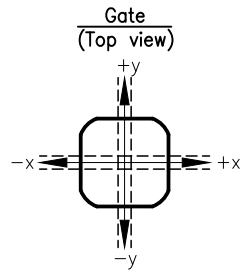
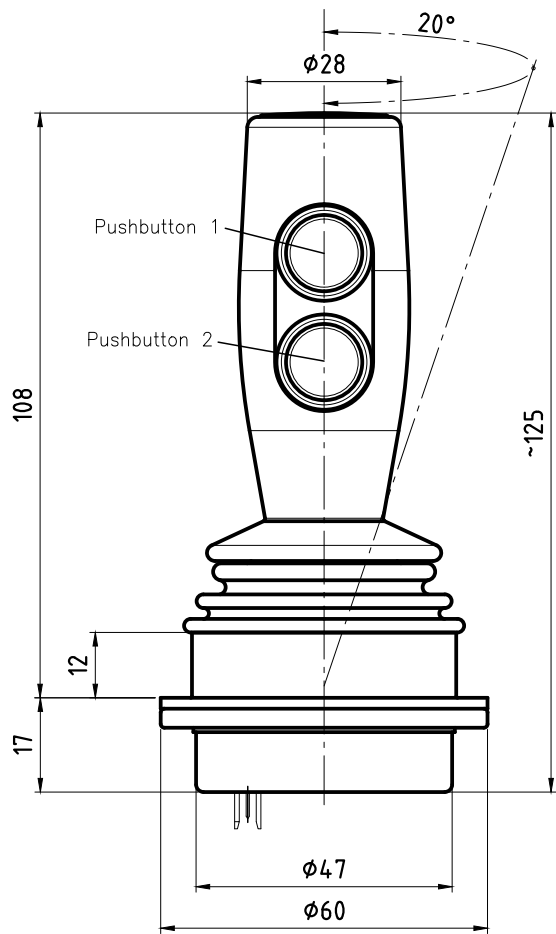
Electrical characteristics	
Operating voltage	5 V DC
Sensor	Hall Effect technology
Pushbutton	EAO 24 V DC, 100mA

Pin	
11	Supply voltage
12	Ground
13	x (-x=0.5V, middle=2.5V, +x=4.5V)
14	y (-y=0.5V, middle=2.5V, +y=4.5V)

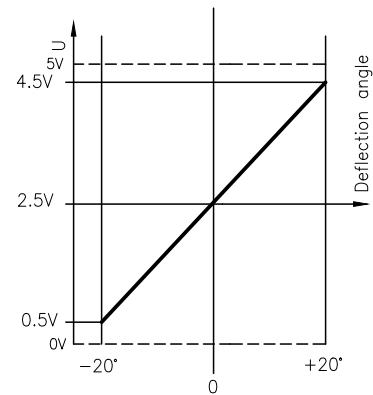
Pushbutton in handle			
Switch	Contact	2	
	open	1	



		Oberfläche	Maßstab 1:1	Position	Menge
		Datum	Name	Joystick	
		Bearb. 11.12.12	Kiener M.		
		Gepr.			
		Norm			
		GENGE & THOMA AG <small>CH-2543 Lengnau/Biel</small>		60-0904	
Zust.	Änderungen	Datum	Name	Dateiname: E:\DWG\LSK_60\LSK60-0904.dwg	Blatt
					Bl



Output diagram



Description

Joystick Type SK 60-0993	
Number of axes	2-axes, x-axis, y-axis
Operation by	Handle with 2 pushbuttons
Cross guidance	soft
Retaining spring	strong, Z-Nr. 50-116
Connector: DUBOX Walled Header	8-poles: 76384-308
Mating connector: Dubox Housing	8-poles: 65240-008

Electrical characteristics

Operating voltage	5 V DC
Sensor	Hall effect technology

Pin

11	Supply voltage 5V DC
12	Ground
13	x (-x=0.5V, middle=2.5V, +x=4.5V)
14	y (-y=0.5V, middle=2.5V, +y=4.5V)
15	Do not use

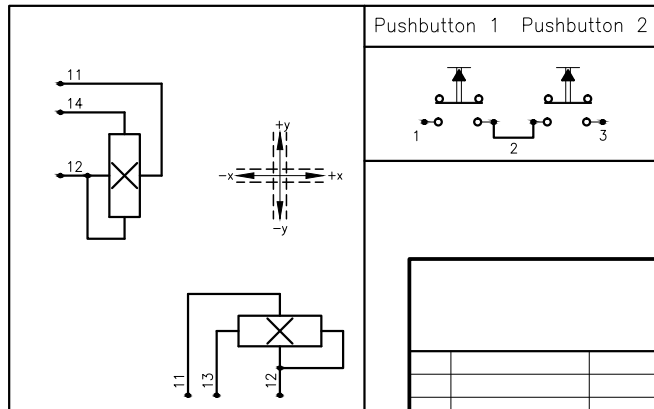
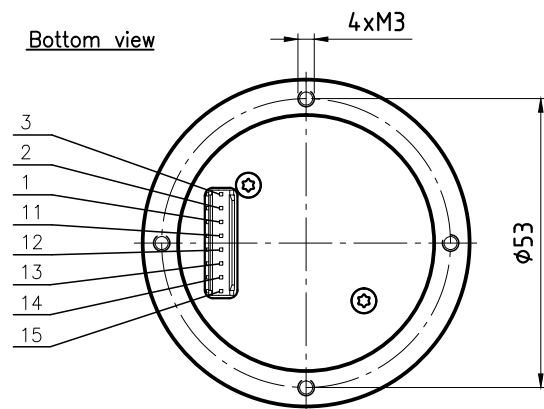
Pushbutton 1 in handle

Contact	1	
open	2	

Pushbutton 2 in handle

Contact	3	
open	2	

Bottom view



		Oberfläche	Maßstab 1:1	Position	Menge
		Datum	Name	Joystick	
		Bearb. 13.05.13	Kiener M.		
		Gepr. 19.04.16	Hess C.		
		Norm			
Zust. Änderungen		Datum	Name	Blatt	
Dateiname E:\DW\SK 60\...SK60-0993.dwg			GENGE & THOMA AG OH-2543 Lengnau/Blot	60-0993	
				Bl	