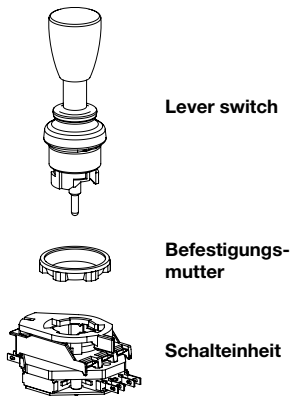
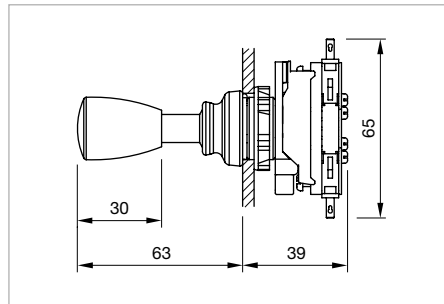


Lever switch, IP 65

Equipment consisting of (schematic overview)



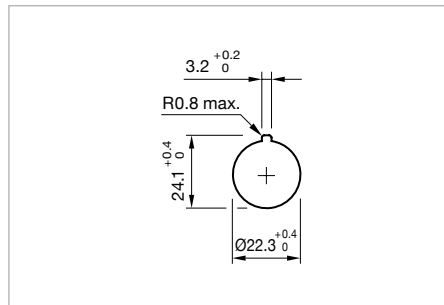
Each Part Number listed below includes all the black components shown in the 3D-drawing.



Dimensions [mm]




Product can differ from the current configuration.



Mounting cut-outs [mm]

Additional Information

- Lever plastic black
- With flat receptacle, VDE 0630 (SEV) specify use of insulating sleeve Part No. 280-0010-00

Product attribute	Switching system	Contacts	Switching action	Terminal	Part No.	Component layout	Wiring diagram	Weight
								
Lever switch complete, Front dimension Ø 22 mm								
2 positions without latch position	Snap-action switching element	2 NC + 2 NO	B	Solder 2.8 x 0.5 mm	44-800.2	1	1	0.080 kg
4 positions without latch position	Snap-action switching element	4 NC + 4 NO	B	Solder 2.8 x 0.5 mm	44-800.4	2	2	0.085 kg
8 positions without latch position and lever guidance (omni directional)	Snap-action switching element	4 NC + 4 NO	B	Solder 2.8 x 0.5 mm	44-800.8	2	3	0.085 kg

Contacts: NC = Normally closed, NO = Normally open
 Switching action: B = Momentary
 The component layouts you will find from page 442

