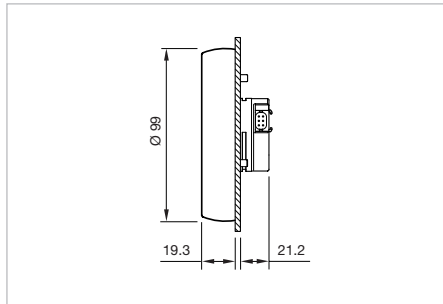


Emergency call button

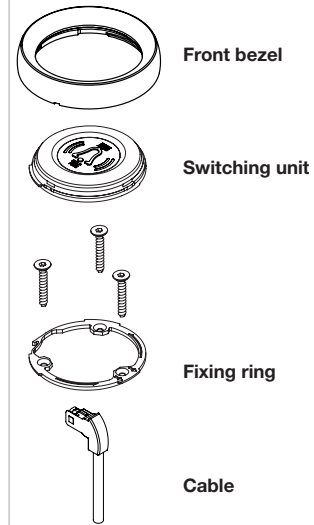


Product can differ from the current configuration.



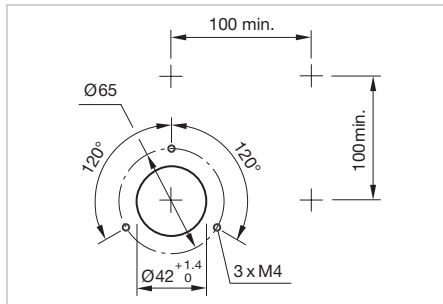
Dimensions [mm]

Equipment consisting of



Product features

- User friendly, extra large operating area of Ø 74 mm
- Two yellow illuminated, individually controllable feedback rings
- Raised bell symbol conform to TSI PRM & ADA
- Robust front ring protects against accidental actuation
- Please fill in the form and forward it to your local EAO partner by e-mail or fax. The electronic form is available at <http://www.eao.com/offer57>



Mounting cut-outs [mm]

Front bezel

Aluminium large

red anodized

Symbol insert

Symbol plastic, red RAL 3000



Symbol aluminium, red anodized



Supply voltage

16 – 63 VDC

Cable length

A = 200 mm (standard)

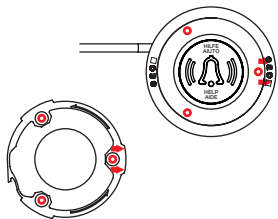
A = 1000 mm

A = 2000 mm

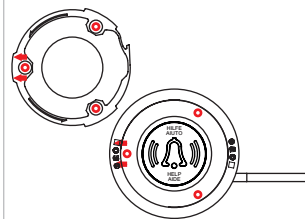
_____ mm

Cable exit

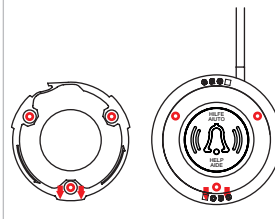
cable exit left



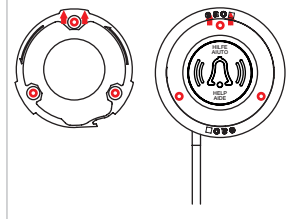
cable exit right



cable exit top



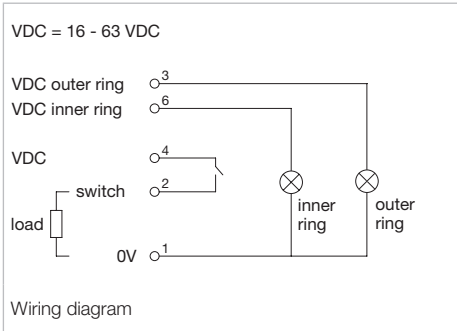
cable exit bottom



57 Front mounting


Cable and Connector type

Cable	Connector	Connector pin assignment		
<input type="checkbox"/> 6 * 0.24 mm ²	<input type="checkbox"/> core end-sleeves		<input type="checkbox"/> standard	<input type="checkbox"/> special
<input type="checkbox"/> 6 * 0.50 mm ²	<input type="checkbox"/> AMP Mate n Lok	Pin 1	1	—
	<input type="checkbox"/> Wago Xcom 769	Pin 2	2	—
	<input type="checkbox"/> DEUTSCH connector	Pin 3	3	—
		Pin 4	4	—
		Pin 5	5	—
		Pin 6	6	—




Mounting



Dismantling tool

Part No.	Weight
 <p>Dismantling tool to front bezel</p>	
57-9901	0.011 kg

Mounting plate

Dimension	Mounting cut-out	Material	Part No.	Weight
 <p>Mounting plate</p>				
Ø 88 mm	Ø 42.5 mm	Chromstahl	57-9905	0.066 kg

Mounting enclosure

Product	Dimension	Mounting cut-out	Material	Part No.	Weight
 <p>Mounting enclosure flush version</p>					
suitable for the most common in-wall flush boxes	100 x 100 mm	Ø 45 mm	Plastic black	57-9903	0.073 kg
 <p>Mounting enclosure surface version</p>					
for direct wall mounting, with cable relief, break-out cable entries	100 x 100 mm	Ø 45 mm	Plastic black	57-9904	0.118 kg

Climate resistance

Damp heat, state
56 days, +40 °C / 93 % relative humidity,
as per EN IEC 60068-2-78

Rapid change of temperature
5 cycles, -45 °C ... +90 °C, as per EN IEC 60068-2-14

Shock resistance

(semi-sinusoidal)
max. 500 m/s², pulse width 11 ms, as per EN IEC 60068-2-27

Vibration resistance

(sinusoidal)
max. 100 m/s² at 10 Hz ... 500 Hz, as per EN IEC 60068-2-6

Approvals

Declaration of conformity

CE

Emergency call button

Switching system

The Series 57 is equipped with an electronic high side switch, is short circuit proof and overload protected. In case of over current the switch opens automatically (protection against destruction).

Material

Connection cable

Halogen-free, flame retardant, cross-linked by e-beam irradiation
Polymer according to EN 50306-2

Front bezel

Aluminium anodized

Housing

Polyamide (PA66-GF25)

Symbol insert

Polyamide (PA66-GF25)
Aluminium anodized

Lens/Symbols

Polyamide (PA12)

Mechanical characteristics

Terminals

AMP Mini Universal MateNLok
WAGO X-COM 769
DEUTSCH connector
Open ends with core end-sleeves

Wire cross-section

Wire 6-poles 0.24 mm²
Wire 6-poles 0.5 mm²

Cable length

200 mm, 1000 mm, 2000 mm

Fixing screws

Countersunk screws M4 x 10 mm

Tightening torque

max. 100 Ncm

Key (mounting and dismantling)

Hexagon socket wrench size 2.5 mm

Actuating force

max. 15 N

Actuating travel

~0.5 mm

Mechanical lifetime

2 million cycles of operation

Electrical characteristics

Illumination

Side-LED yellow for outer ring
Side-LED yellow for inner ring

Luminosity and wave length variations caused by LED manufacturing processes may cause slight differences regarding the illumination

Units compliant to

EN 60947-5-1
EN 50155
EN14752

EMC

EN 61000-6-2
EN 61000-6-3
EN 50121-3-2
ESD min. 20 kV

Cables according to

EN 50306-2; VDE 0260-306-2
EN 50306-4; VDE 0260-306-4
NFF 63808 / NFF 61030

Symbole and illumination

TSI PRM & ADA

Operating voltage

16 ... 63 VDC (min./max.)

Switch rating

max. 250 mA

Standby current

16 ... 63 VDC: < 2 mA @ 24 VDC

Note: Only pin 1 (0 V) und pin 4 (VDC) connected

Electric strength

4000 VAC, 50 Hz, 1 min, between all terminals and mounting plate/front element

Environmental conditions

Storage temperature

-45 °C ... +90 °C

Operating temperature

-40 °C ... +85 °C

Protection degree

Front side IP 69 K

Rear side IP 67

Impact resistance

IK07

Climate resistance

Damp heat, cyclic

48 hours, +25 °C/97 %, +55 °C/93 % relative humidity, as per EN IEC 60068-2-30

Damp heat, state

56 days, +40 °C/93 % relative humidity, as per EN IEC 60068-2-78

Salt spray 96 h (DIN EN 60068-2-11)

Rapid change of temperature

5 cycles, -45 °C ... +90 °C, as per EN IEC 60068-2-14

Shock resistance

50 g, pulse width 11 ms, 6 shocks/axis as per DIN EN 60068-2-27

Vibration resistance

Broad band noise as per EN 61373 class 1B

10 g from 10 Hz ... 500 Hz, as per DIN EN 60068-2-6

Approvals

Approbations

E1

EBC

NFF

Declaration of conformity

CE

TSI/PRM

Pushbutton Glas-mounting

Switching system

The Series 57 is equipped with an electronic high side switch, is short circuit proof and overload protected. In case of over current the switch opens automatically (protection against destruction).

Material

Connection cable

Halogen-free, flame retardant, cross-linked by e-beam irradiation
Polymer according to EN 50306-2

Front bezel

Polyamide (PA66-GF25)

Aluminium natural anodized

Housing

Polyamide (PA66-GF25)

Flange

Polyamide (PA66-GF25)

Symbol insert

Polyamide (PA66-GF25)

Aluminium natural anodized

Lens/Symbols

Polyamide (PA12)

Mechanical characteristics

Terminals

AMP Mini Universal MateNLok

WAGO X-COM 769

DEUTSCH connector

Open ends with core end-sleeves

Wire cross-section

Wire 4-/6-poles 0.24 mm²

Wire 4-/6-poles 0.5 mm²

Wire 6 x 0.5 mm² (single side pushbutton)

Cable length

200 mm, 1000 mm, 2000 mm

Fixing screws

Single side pushbutton: PT head screw Torx K30x20

Double side pushbutton: PT head screw Torx K30x10

The screws are included in delivery.