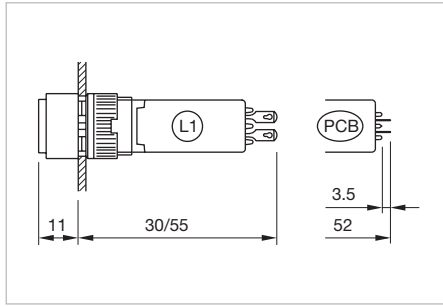


55 Raised design

Buzzer square 24 x 24 mm, IP 40



Product can differ from the current configuration.



Dimensions [mm]
L1 = Solder terminal 2.8 x 0.5 mm,
PCB = Print terminal

Equipment consisting of (schematic overview)



Buzzer element page 87



Front bezel page 88



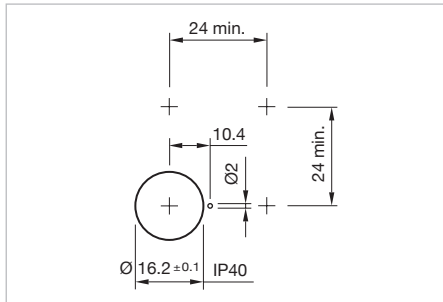
Actuator



Fixing nut

Additional Information


- The buzzer 55 mm fits to the PCB plug-in base and multi plug housing

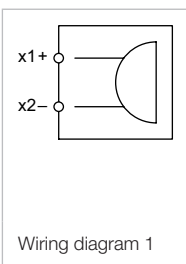


Mounting cut-outs [mm]

Each Part Number listed below includes all the black components shown in the 3D-drawing.

To obtain a complete unit, please select the red components from the pages shown.

| Behind panel depth | Terminal | Part No. | Wiring diagram | Weight |
|---|---------------------|--------------------|----------------|----------|
|  Buzzer actuator square, Front dimension 24 x 24 mm | | | | |
| 30 mm | Solder 2.8 x 0.5 mm | 970-.000-K0 | 1 | 0.004 kg |
| 52 mm | PCB | 970-.000-0P | 1 | 0.007 kg |
| 55 mm | Solder 2.8 x 0.5 mm | 970-.000-00 | 1 | 0.007 kg |



Buzzer rectangular 18 x 24 mm, IP 40

Equipment consisting of (schematic overview)



Buzzer element page 87



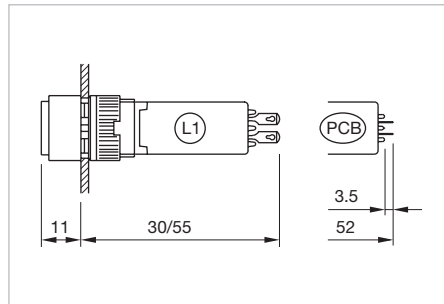
Front bezel page 88



Actuator



Fixing nut



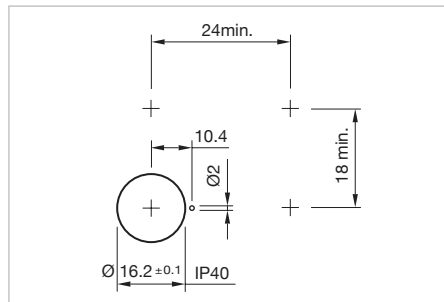
Dimensions [mm]
L1 = Solder terminal 2.8 x 0.5 mm,
PCB = Print terminal



Product can differ from the current configuration.

Each Part Number listed below includes all the black components shown in the 3D-drawing.


To obtain a complete unit, please select the red components from the pages shown.

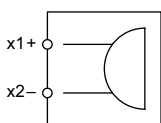


Mounting cut-outs [mm]

Additional Information



- For the flush design please order the additional front bezel set, see chapter «Accessories»
- The buzzer 55 mm fits to the PCB plug-in base and multi plug housing

| Behind panel depth | Terminal | Part No. | Wiring diagram | Weight |
|---|---------------------|--------------------|----------------|----------|
|  <p>Buzzer actuator rectangular, Front dimension 18 x 24 mm</p> | | | | |
| 30 mm | Solder 2.8 x 0.5 mm | 970-.000-K0 | 1 | 0.004 kg |
| 52 mm | PCB | 970-.000-0P | 1 | 0.007 kg |
| 55 mm | Solder 2.8 x 0.5 mm | 970-.000-00 | 1 | 0.007 kg |




Wiring diagram 1

Buzzer element

| Product attribute | Dimension | Operating voltage | Colour | Part No. | Weight |
|---|----------------|-------------------|--------|--------------------|----------|
|  <p>Buzzer element</p> for button with front dimension 24 x 24 mm | 20.8 x 20.8 mm | 12 VAC/DC | black | 970-0012-00 | 0.004 kg |
| | | 24 VAC/DC | grey | 970-9024-00 | 0.004 kg |
| | | | black | 970-0024-00 | 0.004 kg |
| | | | | | |
|  <p>Buzzer element</p> for button with front dimension 18 x 24 mm | 15.2 x 21.2 mm | 12 VAC/DC | grey | 970-5012-00 | 0.004 kg |
| | | | black | 970-6012-00 | 0.004 kg |
| | | 24 VAC/DC | grey | 970-5024-00 | 0.004 kg |
| | | | black | 970-6024-00 | 0.004 kg |
| | | | | | |






Push-pull knob

| Lever | Part No. | Weight |
|--|--------------------|----------|
|  <p>Push-pull knob</p> red transparent green transparent blue transparent white transparent yellow transparent | 200-.225-00 | 0.003 kg |
| | 200-.245-00 | 0.003 kg |
| | 200-.255-00 | 0.003 kg |
| | 200-.265-00 | 0.003 kg |
| | 200-.275-00 | 0.003 kg |
| | | |

Front bezel



Additional Information

- Front bezel IP 65 is supplied with fitted sealing ring.

| Product attribute | Front protection | Front bezel | Part No. | Weight |
|---|------------------|---------------|--------------------|----------|
|  <p>Front bezel square, 18 x 18 mm</p> | IP 40 | Plastic grey | 200-3000-00 | 0.002 kg |
| | | Plastic black | 200-4000-00 | 0.002 kg |
|  <p>Front bezel rectangular, 18 x 24 mm</p> | IP 40 | Plastic grey | 200-5000-00 | 0.002 kg |
| | | Plastic black | 200-6000-00 | 0.002 kg |
|  <p>Front bezel round, 18 mm</p> | IP 40 | Plastic grey | 200-1000-00 | 0.002 kg |
| | | Plastic black | 200-2000-00 | 0.002 kg |
|  <p>Front bezel square, 24 x 24 mm</p> | IP 40 | Plastic grey | 200-9000-00 | 0.002 kg |
| | | Plastic black | 200-0000-00 | 0.002 kg |
| | IP 65 | Plastic grey | 200-9000-W0 | 0.002 kg |
| | | Plastic black | 200-0000-W0 | 0.002 kg |
|  <p>Front bezel round, 24 mm</p> | IP 40 | Plastic grey | 200-7000-00 | 0.002 kg |
| | | Plastic black | 200-8000-00 | 0.002 kg |
| | IP 65 | Plastic grey | 200-7000-W0 | 0.002 kg |
| | | Plastic black | 200-8000-W0 | 0.002 kg |



Rear side

Snap-action switching element block

| Switching voltage | Switching current | Switching system | Contacts | Contact material | Terminal | Part No. | Component layout | Weight |
|---|-------------------|-------------------------------|-------------------|------------------|---------------------|--------------------|------------------|----------|
|  <p>Snap-action switching element block</p> | | | | | | | | |
| 250 VAC | 5 A | Snap-action switching element | 1 NC + 1 NO | Gold | Solder 2.8 x 0.5 mm | 601F0000-00 | | 0.006 kg |
| | | | 2 NC + 2 NO | Gold | Solder 2.8 x 0.5 mm | 602F0000-00 | | 0.006 kg |
| | | | 1 NC + 1 NO + 1 D | Gold | Solder 2.8 x 0.5 mm | 608F0000-00 | | 0.006 kg |
|  <p>Snap-action switching element block</p> | | | | | | | | |
| 250 VAC | 5 A | Snap-action switching element | 1 NC + 1 NO | Gold | PCB | 601F0000-0P | 1 | 0.006 kg |
| | | | 2 NC + 2 NO | Gold | PCB | 602F0000-0P | 1 | 0.006 kg |
| | | | 1 NC + 1 NO + 2 D | Gold | PCB | 609F0000-0P | 1 | 0.006 kg |

Contacts: NC = Normally closed, NO = Normally open, D = Diode element
 The component layouts you will find from page 107

Lamp element block

| Terminal | Diode 1N4007 | Part No. | Component layout | Weight |
|--|--------------|--------------------|------------------|----------|
|  <p>Lamp element block</p> | | | | |
| Solder 2.8 x 0.5 mm | | 600-0000-00 | | 0.005 kg |
| | 1 | 606F0000-00 | | 0.006 kg |
| | 2 | 607F0000-00 | | 0.006 kg |
|  <p>Lamp element block</p> | | | | |
| PCB | | 600-0000-0P | 1 | 0.005 kg |

The component layouts you will find from page 107