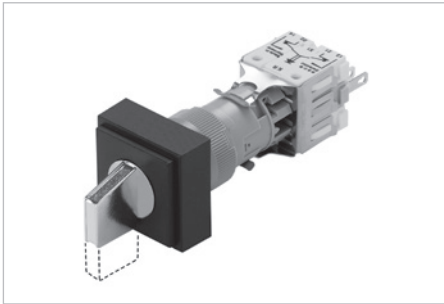
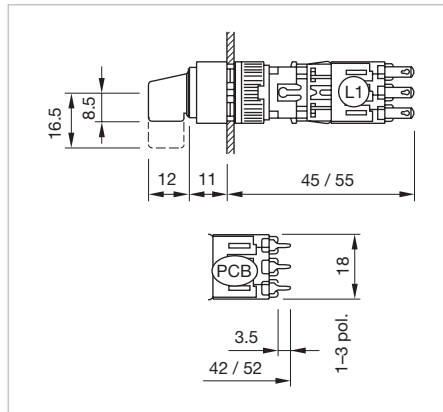


55 Raised design

Selector switch 2 positions square 24 x 24 mm

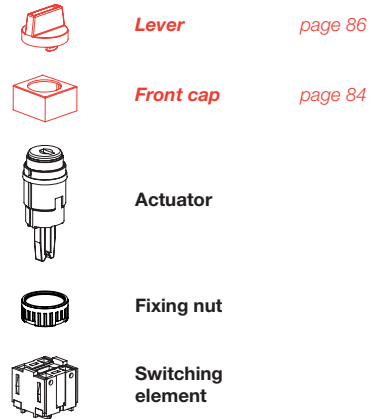


Product can differ from the current configuration.



Dimensions [mm]
L1 = Solder terminal 2.8 x 0.5 mm,
PCB = Print terminal

Equipment consisting of (schematic overview)

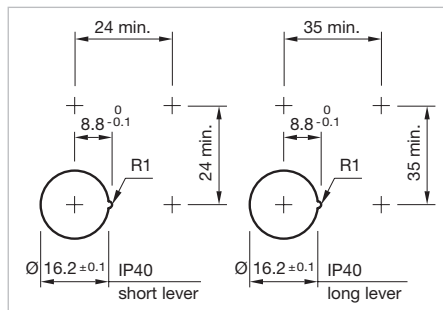


Each Part Number listed below includes all the black components shown in the 3D-drawing.

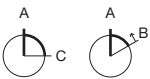
To obtain a complete unit, please select the red components from the pages shown.

Additional Information

- With IP 65 no anti-rotation device can be placed within the mounting cut-out. For rear-side mounting of the anti-rotation device, please see chapter «Accessories», Part No. 260-0020-00 or 260-0021-00




Mounting cut-outs [mm]

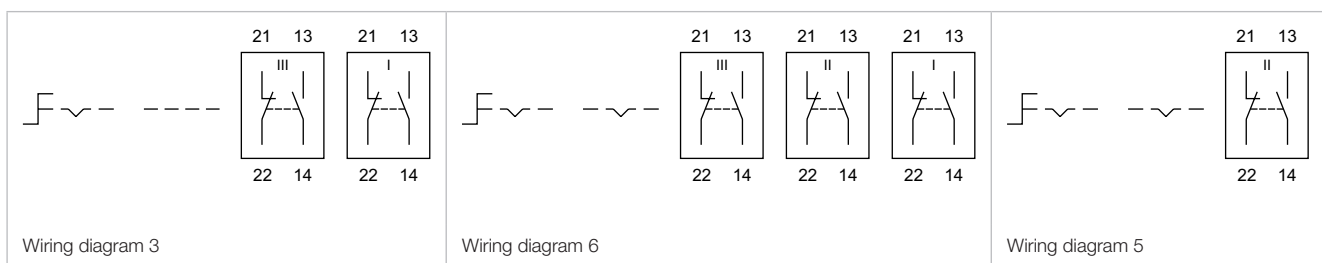
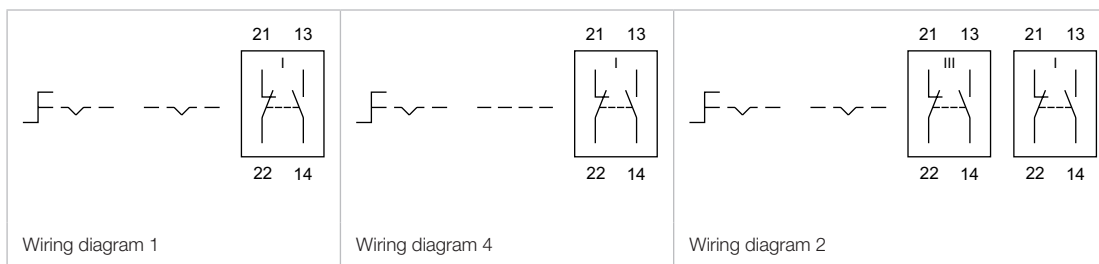


Switching positions (A = Rest, B = Momentary, C = Maintained)

Front protection	Switching system	Behind panel depth	Contacts	Switching action	Switching angle	Terminal	Part No.	Component layout	Wiring diagram	Weight
	Snap-action switching element	42 mm	1 NC + 1 NO	A - C	C = 90°	PCB	761F.700-0P	1	1	0.011 kg
			2 NC + 2 NO	A - C	C = 90°	PCB	762F.700-0P	1	2	0.012 kg
			2 NC + 2 NO	A - B	B = 60°	PCB	782F.700-0P	1	3	0.012 kg
		45 mm	1 NC + 1 NO	A - C	C = 90°	Solder 2.8 x 0.5 mm	761F.700-00		1	0.011 kg
			2 NC + 2 NO	A - C	C = 90°	Solder 2.8 x 0.5 mm	762F.700-00		2	0.012 kg
			1 NC + 1 NO	A - B	B = 60°	Solder 2.8 x 0.5 mm	781F.700-00		4	0.011 kg
IP 65	Snap-action switching element	42 mm	1 NC + 1 NO	A - C	C = 90°	PCB	761F.700-WP	1	1	0.011 kg
			2 NC + 2 NO	A - C	C = 90°	PCB	762F.700-WP	1	2	0.012 kg
		45 mm	1 NC + 1 NO	A - C	C = 90°	Solder 2.8 x 0.5 mm	761F.700-W0		1	0.011 kg
				A - B	B = 60°	Solder 2.8 x 0.5 mm	781F.700-W0		4	0.011 kg
	2 NC + 2 NO	A - C	C = 90°	Solder 2.8 x 0.5 mm	762F.700-W0		2	0.012 kg		

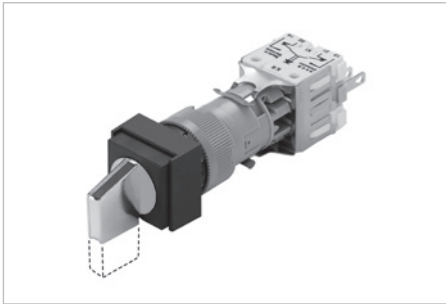
Front protection	Switching system	Behind panel depth	Contacts	Switching action	Switching angle	Terminal	Part No.	Component layout	Wiring diagram	Weight
 Selector switch actuator 2 positions square, Front dimension 24 x 24 mm										
IP 40	Snap-action switching element	52 mm	1 NC + 1 NO	A - C	C = 90°	PCB	911F.700-OP	1	5	0.013 kg
			2 NC + 2 NO	A - C	C = 90°	PCB	912F.700-OP	1	2	0.014 kg
			3 NC + 3 NO	A - C	C = 90°	PCB	913F.700-OP	1	6	0.015 kg
		55 mm	1 NC + 1 NO	A - C	C = 90°	Solder 2.8 x 0.5 mm	911F.700-00		5	0.013 kg
			2 NC + 2 NO	A - C	C = 90°	Solder 2.8 x 0.5 mm	912F.700-00		2	0.014 kg
			3 NC + 3 NO	A - C	C = 90°	Solder 2.8 x 0.5 mm	913F.700-00		6	0.015 kg
IP 65	Snap-action switching element	52 mm	1 NC + 1 NO	A - C	C = 90°	PCB	911F.700-WP	1	5	0.013 kg
		55 mm	1 NC + 1 NO	A - C	C = 90°	Solder 2.8 x 0.5 mm	911F.700-W0		5	0.013 kg
			2 NC + 2 NO	A - C	C = 90°	Solder 2.8 x 0.5 mm	912F.700-W0		2	0.014 kg
			3 NC + 3 NO	A - C	C = 90°	Solder 2.8 x 0.5 mm	913F.700-W0		6	0.015 kg

Contacts: NC = Normally closed, NO = Normally open
 Switching action: A = Rest, B = Momentary, C = Maintained
 The component layouts you will find from page 107

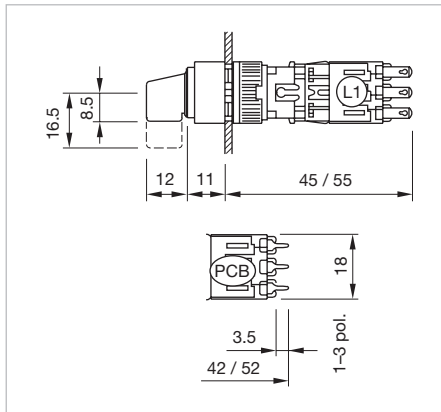


55 Raised design

Selector switch 2 positions square 18 x 18 mm

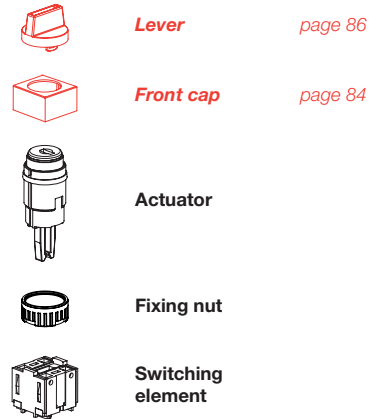


Product can differ from the current configuration.



Dimensions [mm]
L1 = Solder terminal 2.8 x 0.5 mm,
PCB = Print terminal

Equipment consisting of (schematic overview)

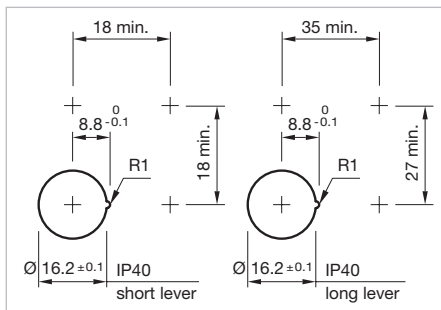


Each Part Number listed below includes all the black components shown in the 3D-drawing.

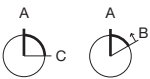
To obtain a complete unit, please select the red components from the pages shown.

Additional Information

- For the flush design please order the additional front bezel set, see chapter «Accessories»
- With IP 65 no anti-rotation device can be placed within the mounting cut-out. For rear-side mounting of the anti-rotation device, please see chapter «Accessories», Part No. 260-0020-00 or 260-0021-00




Mounting cut-outs [mm]

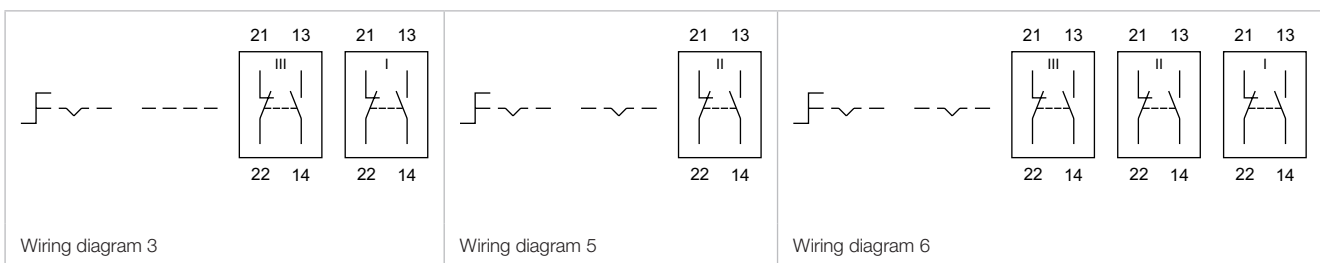
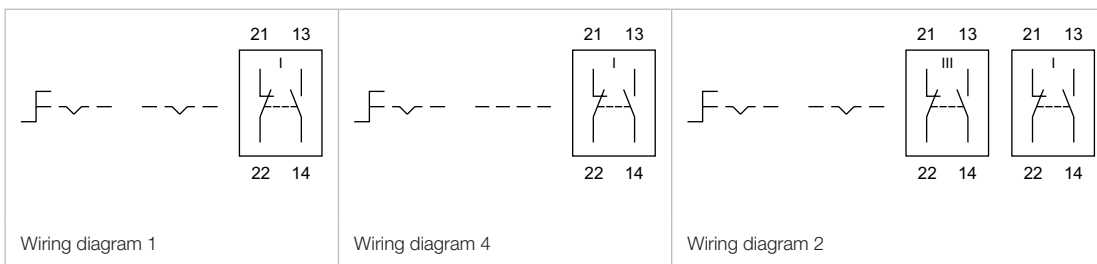


Switching positions (A = Rest, B = Momentary, C = Maintained)

Front protection	Switching system	Behind panel depth	Contacts	Switching action	Switching angle	Terminal	Part No.	Component layout	Wiring diagram	Weight
	Snap-action switching element	42 mm	1 NC + 1 NO	A - C	C = 90°	PCB	761F.700-0P	1	1	0.011 kg
			2 NC + 2 NO	A - C	C = 90°	PCB	762F.700-0P	1	2	0.012 kg
			2 NC + 2 NO	A - B	B = 60°	PCB	782F.700-0P	1	3	0.012 kg
		45 mm	1 NC + 1 NO	A - C	C = 90°	Solder 2.8 x 0.5 mm	761F.700-00	1	0.011 kg	
			1 NC + 1 NO	A - B	B = 60°	Solder 2.8 x 0.5 mm	781F.700-00	4	0.011 kg	
			2 NC + 2 NO	A - C	C = 90°	Solder 2.8 x 0.5 mm	762F.700-00	2	0.012 kg	
			2 NC + 2 NO	A - B	B = 60°	Solder 2.8 x 0.5 mm	782F.700-00	3	0.012 kg	
IP 65	Snap-action switching element	42 mm	1 NC + 1 NO	A - C	C = 90°	PCB	761F.700-WP	1	1	0.011 kg
			2 NC + 2 NO	A - C	C = 90°	PCB	762F.700-WP	1	2	0.012 kg
		45 mm	1 NC + 1 NO	A - C	C = 90°	Solder 2.8 x 0.5 mm	761F.700-W0	1	0.011 kg	
			1 NC + 1 NO	A - B	B = 60°	Solder 2.8 x 0.5 mm	781F.700-W0	4	0.011 kg	
			2 NC + 2 NO	A - C	C = 90°	Solder 2.8 x 0.5 mm	762F.700-W0	2	0.012 kg	
			2 NC + 2 NO	A - B	B = 60°	Solder 2.8 x 0.5 mm	782F.700-W0	3	0.012 kg	

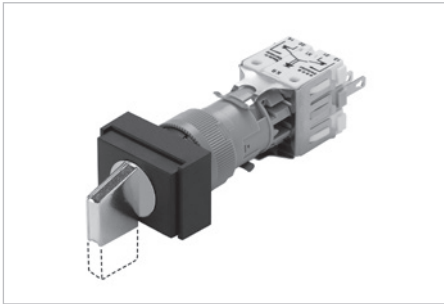
Front protection	Switching system	Behind panel depth	Contacts	Switching action	Switching angle	Terminal	Part No.	Component layout	Wiring diagram	Weight
 <p>Selector switch actuator 2 positions square, Front dimension 18 x 18 mm</p>										
IP 40	Snap-action switching element	52 mm	1 NC + 1 NO	A - C	C = 90°	PCB	911F.700-0P	1	5	0.013 kg
			2 NC + 2 NO	A - C	C = 90°	PCB	912F.700-0P	1	2	0.014 kg
			3 NC + 3 NO	A - C	C = 90°	PCB	913F.700-0P	1	6	0.015 kg
		55 mm	1 NC + 1 NO	A - C	C = 90°	Solder 2.8 x 0.5 mm	911F.700-00		5	0.013 kg
			2 NC + 2 NO	A - C	C = 90°	Solder 2.8 x 0.5 mm	912F.700-00		2	0.014 kg
			3 NC + 3 NO	A - C	C = 90°	Solder 2.8 x 0.5 mm	913F.700-00		6	0.015 kg
IP 65	Snap-action switching element	52 mm	1 NC + 1 NO	A - C	C = 90°	PCB	911F.700-WP	1	5	0.013 kg
		55 mm	1 NC + 1 NO	A - C	C = 90°	Solder 2.8 x 0.5 mm	911F.700-W0		5	0.013 kg
			2 NC + 2 NO	A - C	C = 90°	Solder 2.8 x 0.5 mm	912F.700-W0		2	0.014 kg
			3 NC + 3 NO	A - C	C = 90°	Solder 2.8 x 0.5 mm	913F.700-W0		6	0.015 kg

Contacts: NC = Normally closed, NO = Normally open
 Switching action: A = Rest, B = Momentary, C = Maintained
 The component layouts you will find from page 107

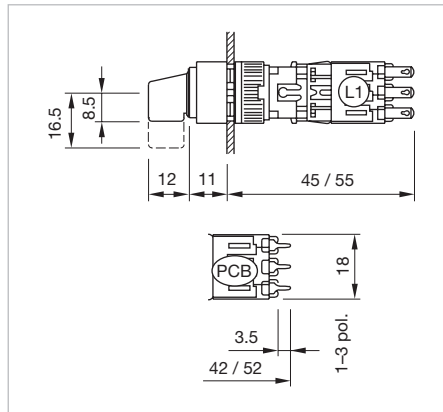


55 Raised design

Selector switch 2 positions rectangular 18 x 24 mm

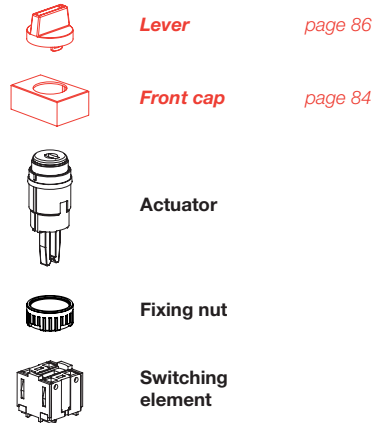


Product can differ from the current configuration.



Dimensions [mm]
L1 = Solder terminal 2.8 x 0.5 mm,
PCB = Print terminal

Equipment consisting of (schematic overview)

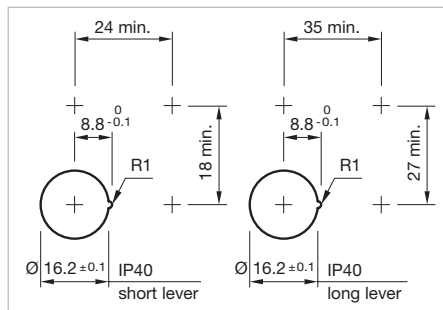


Each Part Number listed below includes all the black components shown in the 3D-drawing.

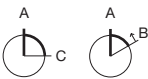
To obtain a complete unit, please select the red components from the pages shown.

Additional Information

- For the flush design please order the additional front bezel set, see chapter «Accessories»
- With IP 65 no anti-rotation device can be placed within the mounting cut-out. For rear-side mounting of the anti-rotation device, please see chapter «Accessories», Part No. 260-0020-00 or 260-0021-00




Mounting cut-outs [mm]

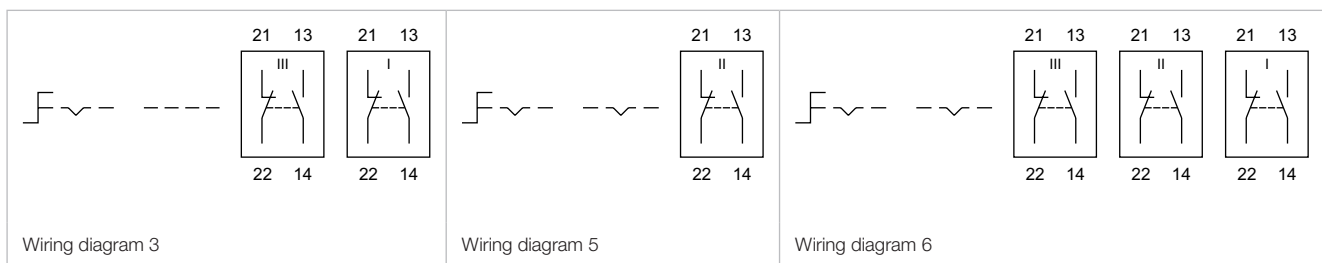
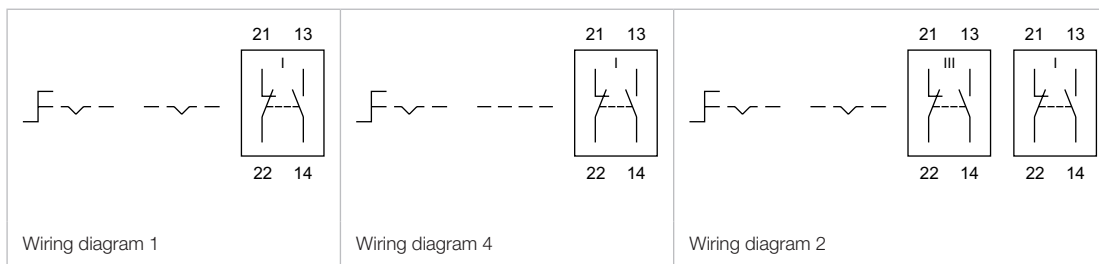


Switching positions (A = Rest, B = Momentary, C = Maintained)

Front protection	Switching system	Behind panel depth	Contacts	Switching action	Switching angle	Terminal	Part No.	Component layout	Wiring diagram	Weight
	Snap-action switching element	42 mm	1 NC + 1 NO	A - C	C = 90°	PCB	761F.700-0P	1	1	0.011 kg
			2 NC + 2 NO	A - C	C = 90°	PCB	762F.700-0P	1	2	0.012 kg
				A - B	B = 60°	PCB	782F.700-0P	1	3	0.012 kg
		45 mm	1 NC + 1 NO	A - C	C = 90°	Solder 2.8 x 0.5 mm	761F.700-00		1	0.011 kg
				A - B	B = 60°	Solder 2.8 x 0.5 mm	781F.700-00		4	0.011 kg
			2 NC + 2 NO	A - C	C = 90°	Solder 2.8 x 0.5 mm	762F.700-00		2	0.012 kg
IP 65	Snap-action switching element	42 mm	1 NC + 1 NO	A - C	C = 90°	PCB	761F.700-WP	1	1	0.011 kg
			2 NC + 2 NO	A - C	C = 90°	PCB	762F.700-WP	1	2	0.012 kg
		45 mm	1 NC + 1 NO	A - C	C = 90°	Solder 2.8 x 0.5 mm	761F.700-W0		1	0.011 kg
				A - B	B = 60°	Solder 2.8 x 0.5 mm	781F.700-W0		4	0.011 kg
			2 NC + 2 NO	A - C	C = 90°	Solder 2.8 x 0.5 mm	762F.700-W0		2	0.012 kg
				A - B	B = 60°	Solder 2.8 x 0.5 mm	782F.700-W0		3	0.012 kg

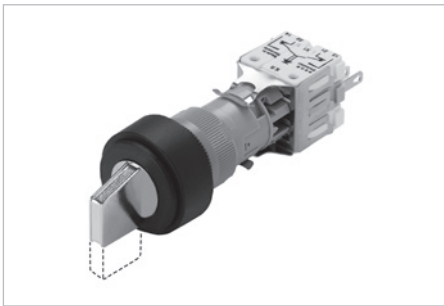
Front protection	Switching system	Behind panel depth	Contacts	Switching action	Switching angle	Terminal	Part No.	Component layout	Wiring diagram	Weight
 <p style="text-align: center;">Selector switch actuator 2 positions rectangular, Front dimension 18 x 24 mm</p>										
IP 40	Snap-action switching element	52 mm	1 NC + 1 NO	A - C	C = 90°	PCB	911F.700-0P	1	5	0.013 kg
			2 NC + 2 NO	A - C	C = 90°	PCB	912F.700-0P	1	2	0.014 kg
			3 NC + 3 NO	A - C	C = 90°	PCB	913F.700-0P	1	6	0.015 kg
		55 mm	1 NC + 1 NO	A - C	C = 90°	Solder 2.8 x 0.5 mm	911F.700-00		5	0.013 kg
			2 NC + 2 NO	A - C	C = 90°	Solder 2.8 x 0.5 mm	912F.700-00		2	0.014 kg
			3 NC + 3 NO	A - C	C = 90°	Solder 2.8 x 0.5 mm	913F.700-00		6	0.015 kg
IP 65	Snap-action switching element	52 mm	1 NC + 1 NO	A - C	C = 90°	PCB	911F.700-WP	1	5	0.013 kg
			55 mm	1 NC + 1 NO	A - C	C = 90°	Solder 2.8 x 0.5 mm	911F.700-W0		5
		55 mm	2 NC + 2 NO	A - C	C = 90°	Solder 2.8 x 0.5 mm	912F.700-W0		2	0.014 kg
			3 NC + 3 NO	A - C	C = 90°	Solder 2.8 x 0.5 mm	913F.700-W0		6	0.015 kg

Contacts: NC = Normally closed, NO = Normally open
 Switching action: A = Rest, B = Momentary, C = Maintained
 The component layouts you will find from page 107

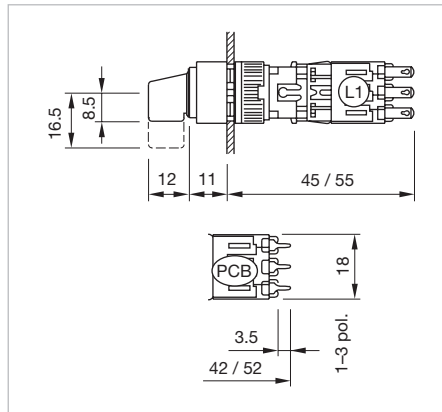


55 Raised design

Selector switch 2 positions round Ø 24 mm

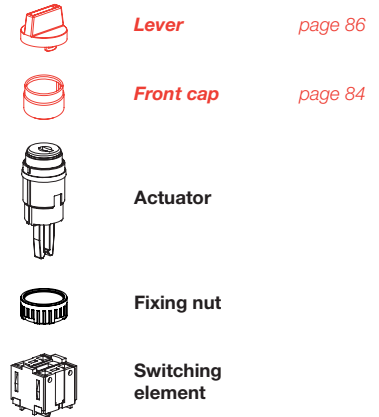


Product can differ from the current configuration.



Dimensions [mm]
L1 = Solder terminal 2.8 x 0.5 mm,
PCB = Print terminal

Equipment consisting of (schematic overview)

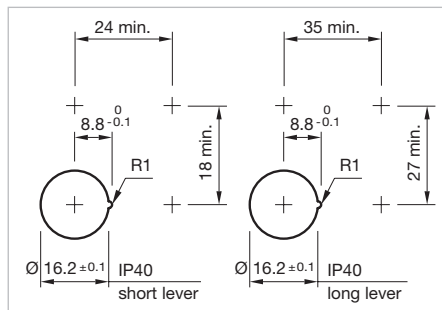


Each Part Number listed below includes all the black components shown in the 3D-drawing.

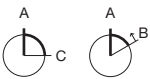
To obtain a complete unit, please select the red components from the pages shown.

Additional Information

- With IP 65 no anti-rotation device can be placed within the mounting cut-out. For rear-side mounting of the anti-rotation device, please see chapter «Accessories», Part No. 260-0020-00 or 260-0021-00




Mounting cut-outs [mm]

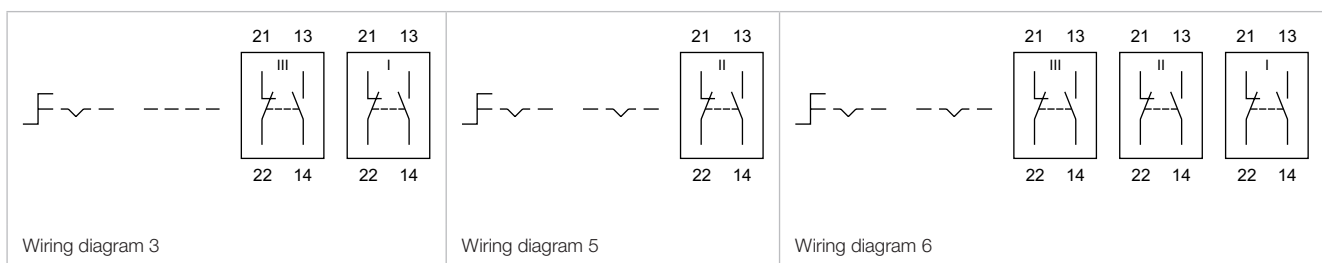
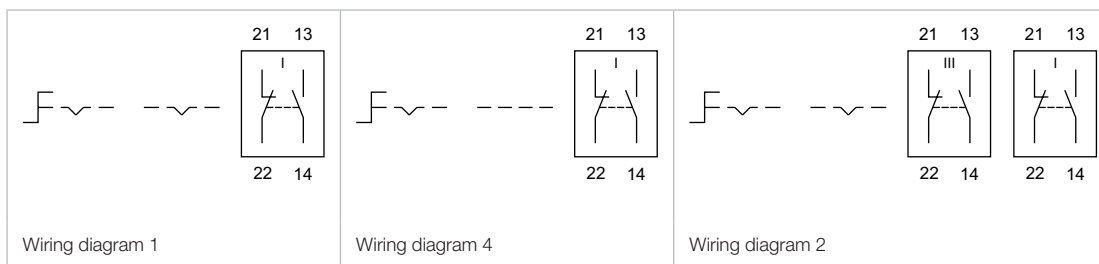


Switching positions (A = Rest, B = Momentary, C = Maintained)

Front protection	Switching system	Behind panel depth	Contacts	Switching action	Switching angle	Terminal	Part No.	Component layout	Wiring diagram	Weight
	Snap-action switching element	42 mm	1 NC + 1 NO	A - C	C = 90°	PCB	761F.700-0P	1	1	0.011 kg
			2 NC + 2 NO	A - C	C = 90°	PCB	762F.700-0P	1	2	0.012 kg
				A - B	B = 60°	PCB	782F.700-0P	1	3	0.012 kg
		45 mm	1 NC + 1 NO	A - C	C = 90°	Solder 2.8 x 0.5 mm	761F.700-00		1	0.011 kg
				A - B	B = 60°	Solder 2.8 x 0.5 mm	781F.700-00		4	0.011 kg
			2 NC + 2 NO	A - C	C = 90°	Solder 2.8 x 0.5 mm	762F.700-00		2	0.012 kg
		A - B	B = 60°	Solder 2.8 x 0.5 mm	782F.700-00		3	0.012 kg		
IP 65	Snap-action switching element	42 mm	1 NC + 1 NO	A - C	C = 90°	PCB	761F.700-WP	1	1	0.011 kg
			2 NC + 2 NO	A - C	C = 90°	PCB	762F.700-WP	1	2	0.012 kg
		45 mm	1 NC + 1 NO	A - C	C = 90°	Solder 2.8 x 0.5 mm	761F.700-W0		1	0.011 kg
				A - B	B = 60°	Solder 2.8 x 0.5 mm	781F.700-W0		4	0.011 kg
			2 NC + 2 NO	A - C	C = 90°	Solder 2.8 x 0.5 mm	762F.700-W0		2	0.012 kg
				A - B	B = 60°	Solder 2.8 x 0.5 mm	782F.700-W0		3	0.012 kg

Front protection	Switching system	Behind panel depth	Contacts	Switching action	Switching angle	Terminal	Part No.	Component layout	Wiring diagram	Weight
 <p>Selector switch actuator 2 positions round, Front dimension Ø 24 mm</p>										
IP 40	Snap-action switching element	52 mm	1 NC + 1 NO	A - C	C = 90°	PCB	911F.700-0P	1	5	0.013 kg
			2 NC + 2 NO	A - C	C = 90°	PCB	912F.700-0P	1	2	0.014 kg
			3 NC + 3 NO	A - C	C = 90°	PCB	913F.700-0P	1	6	0.015 kg
		55 mm	1 NC + 1 NO	A - C	C = 90°	Solder 2.8 x 0.5 mm	911F.700-00		5	0.013 kg
			2 NC + 2 NO	A - C	C = 90°	Solder 2.8 x 0.5 mm	912F.700-00		2	0.014 kg
			3 NC + 3 NO	A - C	C = 90°	Solder 2.8 x 0.5 mm	913F.700-00		6	0.015 kg
IP 65	Snap-action switching element	52 mm	1 NC + 1 NO	A - C	C = 90°	PCB	911F.700-WP	1	5	0.013 kg
		55 mm	1 NC + 1 NO	A - C	C = 90°	Solder 2.8 x 0.5 mm	911F.700-W0		5	0.013 kg
			2 NC + 2 NO	A - C	C = 90°	Solder 2.8 x 0.5 mm	912F.700-W0		2	0.014 kg
			3 NC + 3 NO	A - C	C = 90°	Solder 2.8 x 0.5 mm	913F.700-W0		6	0.015 kg

Contacts: NC = Normally closed, NO = Normally open
 Switching action: A = Rest, B = Momentary, C = Maintained
 The component layouts you will find from page 107

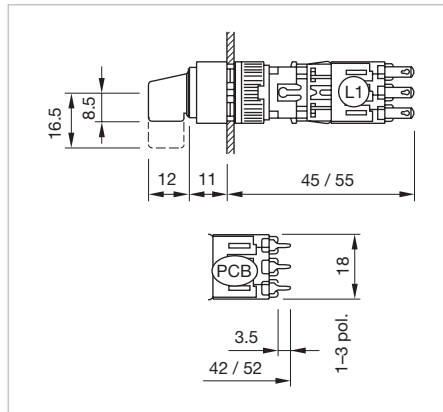


55 Raised design

Selector switch 2 positions round Ø 18 mm

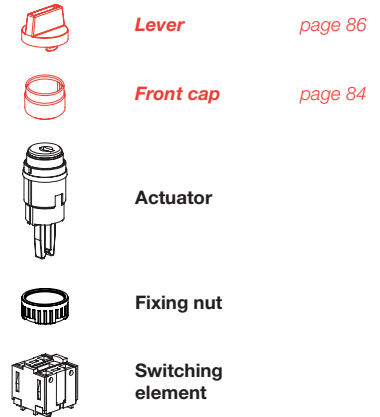


Product can differ from the current configuration.



Dimensions [mm]
L1 = Solder terminal 2.8 x 0.5 mm,
PCB = Print terminal

Equipment consisting of (schematic overview)

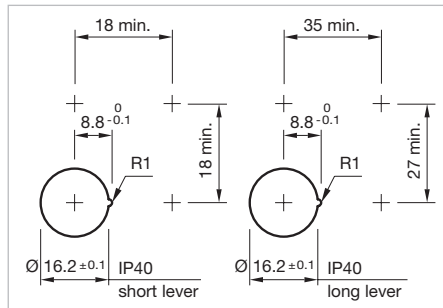


Each Part Number listed below includes all the black components shown in the 3D-drawing.

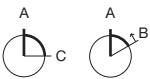
To obtain a complete unit, please select the red components from the pages shown.

Additional Information


- For the flush design please order the additional front bezel set, see chapter «Accessories»
- With IP 65 no anti-rotation device can be placed within the mounting cut-out. For rear-side mounting of the anti-rotation device, please see chapter «Accessories», Part No. 260-0020-00 or 260-0021-00




Mounting cut-outs [mm]

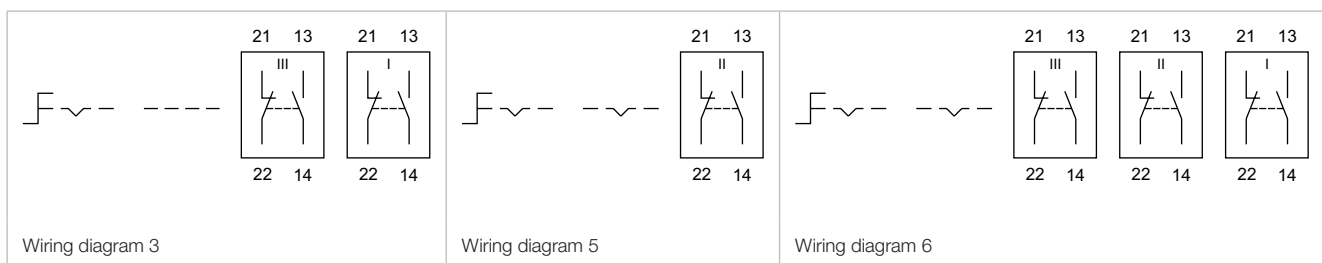
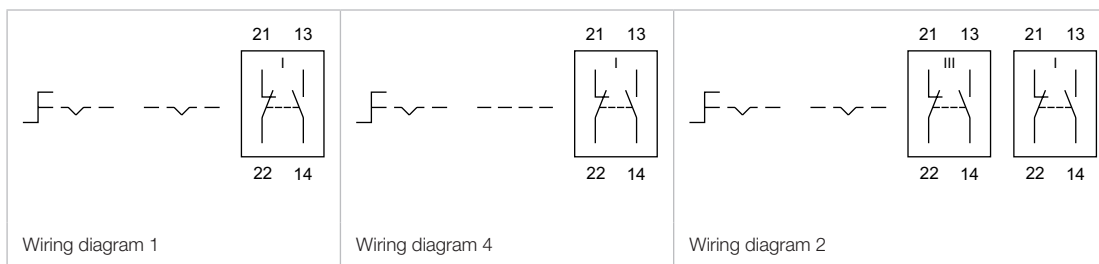


Switching positions (A = Rest, B = Momentary, C = Maintained)

Front protection	Switching system	Behind panel depth	Contacts	Switching action	Switching angle	Terminal	Part No.	Component layout	Wiring diagram	Weight
 Selector switch actuator 2 positions round, Front dimension Ø 18 mm	Snap-action switching element	42 mm	1 NC + 1 NO	A - C	C = 90°	PCB	761F.700-0P	1	1	0.011 kg
			2 NC + 2 NO	A - C	C = 90°	PCB	762F.700-0P	1	2	0.012 kg
				A - B	B = 60°	PCB	782F.700-0P	1	3	0.012 kg
		45 mm	1 NC + 1 NO	A - C	C = 90°	Solder 2.8 x 0.5 mm	761F.700-00	1	0.011 kg	
				A - B	B = 60°	Solder 2.8 x 0.5 mm	781F.700-00	4	0.011 kg	
				2 NC + 2 NO	A - C	C = 90°	Solder 2.8 x 0.5 mm	762F.700-00	2	0.012 kg
	A - B	B = 60°	Solder 2.8 x 0.5 mm	782F.700-00	3	0.012 kg				
IP 65	Snap-action switching element	42 mm	1 NC + 1 NO	A - C	C = 90°	PCB	761F.700-WP	1	1	0.011 kg
			2 NC + 2 NO	A - C	C = 90°	PCB	762F.700-WP	1	2	0.012 kg
		45 mm	1 NC + 1 NO	A - C	C = 90°	Solder 2.8 x 0.5 mm	761F.700-W0	1	0.011 kg	
				A - B	B = 60°	Solder 2.8 x 0.5 mm	781F.700-W0	4	0.011 kg	
			2 NC + 2 NO	A - C	C = 90°	Solder 2.8 x 0.5 mm	762F.700-W0	2	0.012 kg	
				A - B	B = 60°	Solder 2.8 x 0.5 mm	782F.700-W0	3	0.012 kg	

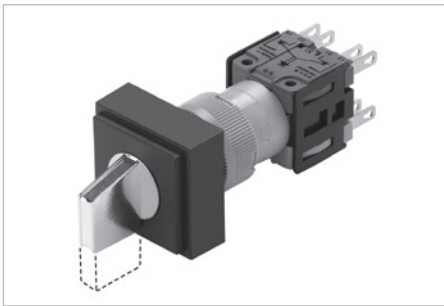
Front protection	Switching system	Behind panel depth	Contacts	Switching action	Switching angle	Terminal	Part No.	Component layout	Wiring diagram	Weight
 <p>Selector switch actuator 2 positions round, Front dimension Ø 18 mm</p>										
IP 40	Snap-action switching element	52 mm	1 NC + 1 NO	A - C	C = 90°	PCB	911F.700-0P	1	5	0.013 kg
			2 NC + 2 NO	A - C	C = 90°	PCB	912F.700-0P	1	2	0.014 kg
			3 NC + 3 NO	A - C	C = 90°	PCB	913F.700-0P	1	6	0.015 kg
		55 mm	1 NC + 1 NO	A - C	C = 90°	Solder 2.8 x 0.5 mm	911F.700-00		5	0.013 kg
			2 NC + 2 NO	A - C	C = 90°	Solder 2.8 x 0.5 mm	912F.700-00		2	0.014 kg
			3 NC + 3 NO	A - C	C = 90°	Solder 2.8 x 0.5 mm	913F.700-00		6	0.015 kg
IP 65	Snap-action switching element	52 mm	1 NC + 1 NO	A - C	C = 90°	PCB	911F.700-WP	1	5	0.013 kg
		55 mm	1 NC + 1 NO	A - C	C = 90°	Solder 2.8 x 0.5 mm	911F.700-W0		5	0.013 kg
			2 NC + 2 NO	A - C	C = 90°	Solder 2.8 x 0.5 mm	912F.700-W0		2	0.014 kg
			3 NC + 3 NO	A - C	C = 90°	Solder 2.8 x 0.5 mm	913F.700-W0		6	0.015 kg

Contacts: NC = Normally closed, NO = Normally open
 Switching action: A = Rest, B = Momentary, C = Maintained
 The component layouts you will find from page 107

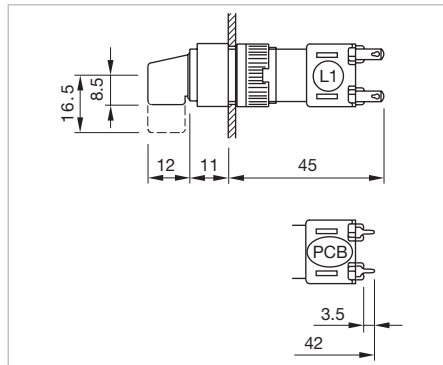


55 Raised design

Selector switch 3 positions square 24 x 24 mm

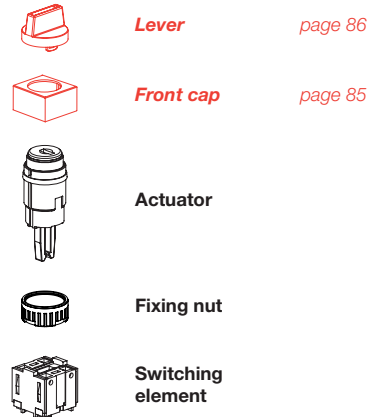


Product can differ from the current configuration.



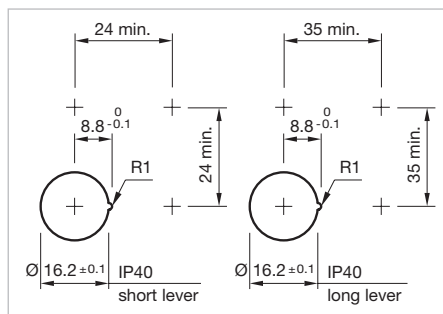
Dimensions [mm]
L1 = Solder terminal 2.8 x 0.5 mm,
PCB = Print terminal

Equipment consisting of (schematic overview)



Additional Information

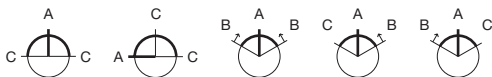
- With IP 65 no anti-rotation device can be placed within the mounting cut-out. For rear-side mounting of the anti-rotation device, please see chapter «Accessories», Part No. 260-0020-00 or 260-0021-00



Mounting cut-outs [mm]

Each Part Number listed below includes all the black components shown in the 3D-drawing.

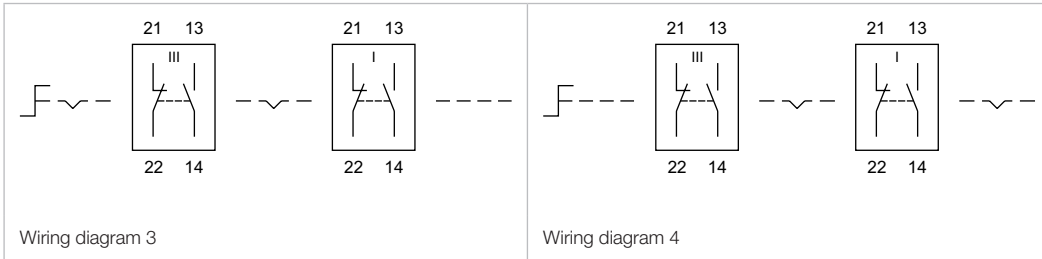
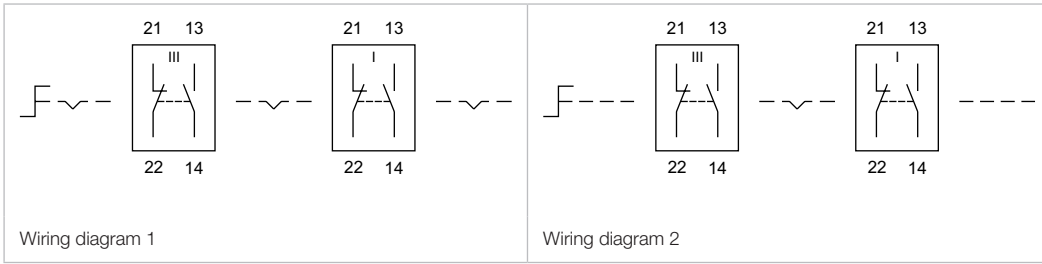
To obtain a complete unit, please select the red components from the pages shown.



Switching positions (A = Rest, B = Momentary, C = Maintained)

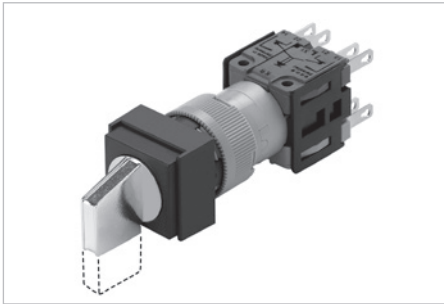
Front protection	Switching system	Behind panel depth	Contacts	Switching action	Switching angle	Terminal	Part No.	Component layout	Wiring diagram	Weight		
	Snap-action switching element	42 mm	2 NC + 2 NO	C - A - C	C = 90° / 90°	PCB	712F.700-0P	1	1	0.012 kg		
				C - A - B	C = 60°, B = 60°	PCB	742F.700-0P	1	3	0.012 kg		
		45 mm	2 NC + 2 NO	C - A - C	C = 90° / 90°	Solder 2.8 x 0.5 mm	712F.700-00	1	0.012 kg			
				A - C - C	C = 90° / 180°	Solder 2.8 x 0.5 mm	722F.700-00	1	0.012 kg			
				B - A - B	B = 60° / 60°	Solder 2.8 x 0.5 mm	732F.700-00	2	0.012 kg			
				C - A - B	C = 60°, B = 60°	Solder 2.8 x 0.5 mm	742F.700-00	3	0.012 kg			
				B - A - C	B = 60°, C = 60°	Solder 2.8 x 0.5 mm	752F.700-00	4	0.012 kg			
				C - A - B	C = 60°, B = 60°	Solder 2.8 x 0.5 mm	742F.700-00	3	0.012 kg			
		IP 65	Snap-action switching element	42 mm	2 NC + 2 NO	C - A - C	C = 90° / 90°	PCB	712F.700-WP	1	1	0.012 kg
						B - A - B	B = 60° / 60°	PCB	732F.700-WP	1	2	0.012 kg
45 mm	2 NC + 2 NO			C - A - C	C = 90° / 90°	Solder 2.8 x 0.5 mm	712F.700-W0	1	0.012 kg			
				A - C - C	C = 90° / 180°	Solder 2.8 x 0.5 mm	722F.700-W0	1	0.012 kg			
				B - A - B	B = 60° / 60°	Solder 2.8 x 0.5 mm	732F.700-W0	2	0.012 kg			
				C - A - B	C = 60°, B = 60°	Solder 2.8 x 0.5 mm	742F.700-W0	3	0.012 kg			

Contacts: NC = Normally closed, NO = Normally open
Switching action: A = Rest, B = Momentary, C = Maintained
The component layouts you will find from page 107

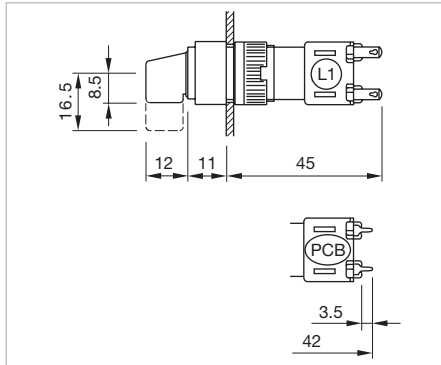


55 Raised design

Selector switch 3 positions square 18 x 18 mm

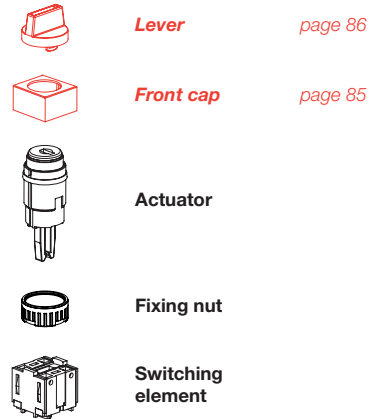


Product can differ from the current configuration.



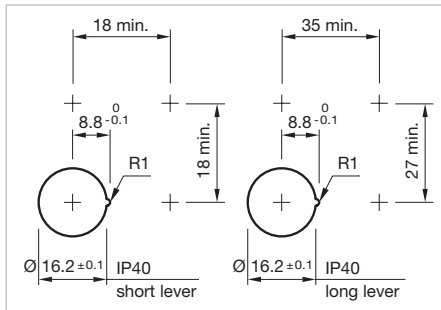
Dimensions [mm]
L1 = Solder terminal 2.8 x 0.5 mm,
PCB = Print terminal

Equipment consisting of (schematic overview)



Additional Information

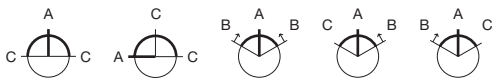
- For the flush design please order the additional front bezel set, see chapter «Accessories»
- With IP 65 no anti-rotation device can be placed within the mounting cut-out. For rear-side mounting of the anti-rotation device, please see chapter «Accessories», Part No. 260-0020-00 or 260-0021-00



Mounting cut-outs [mm]

Each Part Number listed below includes all the black components shown in the 3D-drawing.

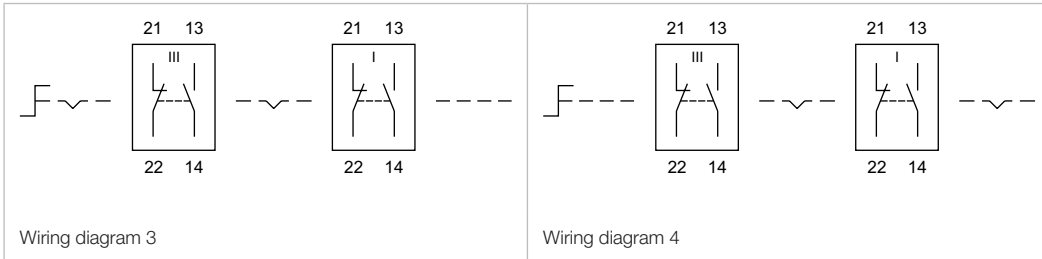
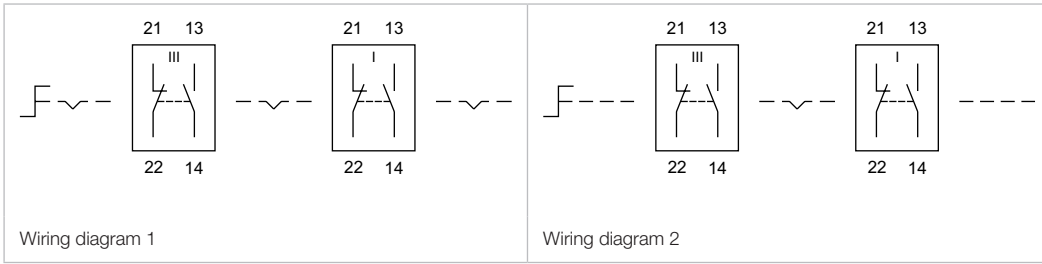
To obtain a complete unit, please select the red components from the pages shown.



Switching positions (A = Rest, B = Momentary, C = Maintained)

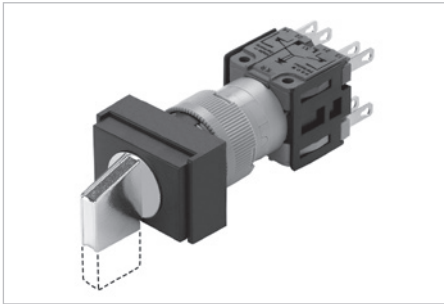
Front protection	Switching system	Behind panel depth	Contacts	Switching action	Switching angle	Terminal	Part No.	Component layout	Wiring diagram	Weight	
	Snap-action switching element	42 mm	2 NC + 2 NO	C - A - C	C = 90° / 90°	PCB	712F.700-0P	1	1	0.012 kg	
				C - A - B	C = 60°, B = 60°	PCB	742F.700-0P	1	3	0.012 kg	
		45 mm	2 NC + 2 NO	C - A - C	C = 90° / 90°	Solder 2.8 x 0.5 mm	712F.700-00	1	0.012 kg		
				A - C - C	C = 90° / 180°	Solder 2.8 x 0.5 mm	722F.700-00	1	0.012 kg		
				B - A - B	B = 60° / 60°	Solder 2.8 x 0.5 mm	732F.700-00	2	0.012 kg		
				C - A - B	C = 60°, B = 60°	Solder 2.8 x 0.5 mm	742F.700-00	3	0.012 kg		
	IP 65	Snap-action switching element	42 mm	2 NC + 2 NO	C - A - C	C = 90° / 90°	PCB	712F.700-WP	1	1	0.012 kg
					B - A - B	B = 60° / 60°	PCB	732F.700-WP	1	2	0.012 kg
			45 mm	2 NC + 2 NO	C - A - C	C = 90° / 90°	Solder 2.8 x 0.5 mm	712F.700-W0	1	0.012 kg	
					A - C - C	C = 90° / 180°	Solder 2.8 x 0.5 mm	722F.700-W0	1	0.012 kg	
					B - A - B	B = 60° / 60°	Solder 2.8 x 0.5 mm	732F.700-W0	2	0.012 kg	
					C - A - B	C = 60°, B = 60°	Solder 2.8 x 0.5 mm	742F.700-W0	3	0.012 kg	

Contacts: NC = Normally closed, NO = Normally open
Switching action: A = Rest, B = Momentary, C = Maintained
The component layouts you will find from page 107

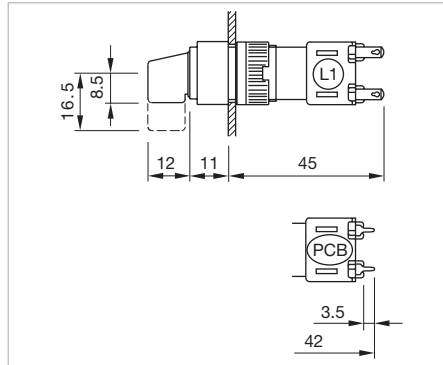


55 Raised design

Selector switch 3 positions rectangular 18 x 24 mm

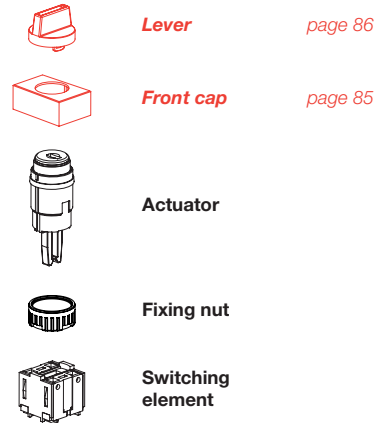


Product can differ from the current configuration.



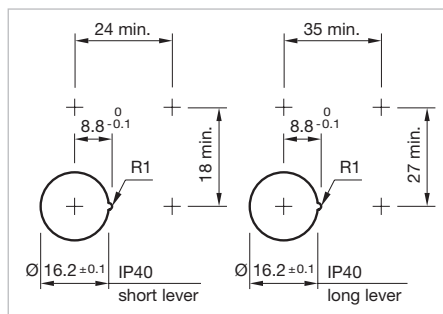
Dimensions [mm]
L1 = Solder terminal 2.8 x 0.5 mm,
PCB = Print terminal

Equipment consisting of (schematic overview)



Additional Information

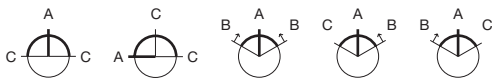
- For the flush design please order the additional front bezel set, see chapter «Accessories»
- With IP 65 no anti-rotation device can be placed within the mounting cut-out. For rear-side mounting of the anti-rotation device, please see chapter «Accessories», Part No. 260-0020-00 or 260-0021-00



Mounting cut-outs [mm]

Each Part Number listed below includes all the black components shown in the 3D-drawing.

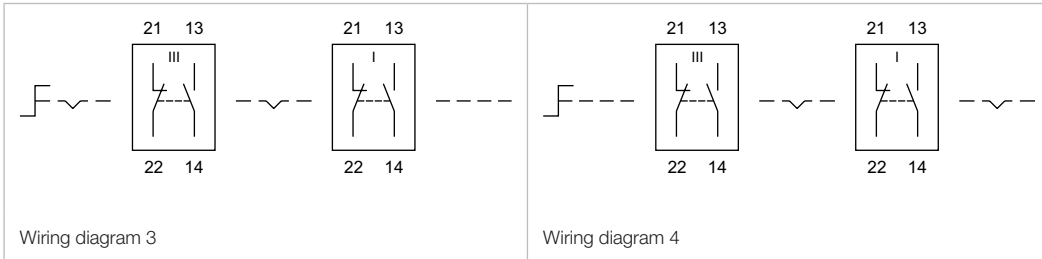
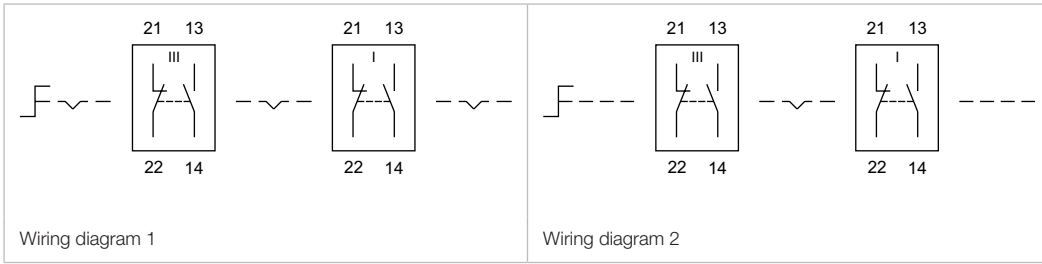
To obtain a complete unit, please select the red components from the pages shown.



Switching positions (A = Rest, B = Momentary, C = Maintained)

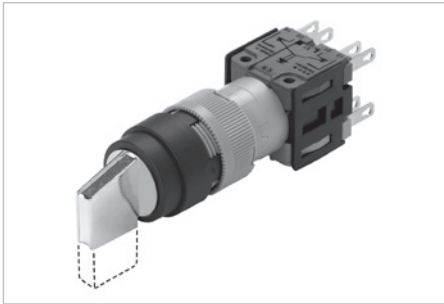
Front protection	Switching system	Behind panel depth	Contacts	Switching action	Switching angle	Terminal	Part No.	Component layout	Wiring diagram	Weight	
	Snap-action switching element	42 mm	2 NC + 2 NO	C - A - C	C = 90° / 90°	PCB	712F.700-0P	1	1	0.012 kg	
				C - A - B	C = 60°, B = 60°	PCB	742F.700-0P	1	3	0.012 kg	
		45 mm	2 NC + 2 NO	C - A - C	C = 90° / 90°	Solder 2.8 x 0.5 mm	712F.700-00	1	0.012 kg		
				A - C - C	C = 90° / 180°	Solder 2.8 x 0.5 mm	722F.700-00	1	0.012 kg		
				B - A - B	B = 60° / 60°	Solder 2.8 x 0.5 mm	732F.700-00	2	0.012 kg		
				C - A - B	C = 60°, B = 60°	Solder 2.8 x 0.5 mm	742F.700-00	3	0.012 kg		
	IP 65	Snap-action switching element	42 mm	2 NC + 2 NO	C - A - C	C = 90° / 90°	PCB	712F.700-WP	1	1	0.012 kg
					B - A - B	B = 60° / 60°	PCB	732F.700-WP	1	2	0.012 kg
			45 mm	2 NC + 2 NO	C - A - C	C = 90° / 90°	Solder 2.8 x 0.5 mm	712F.700-W0	1	0.012 kg	
					A - C - C	C = 90° / 180°	Solder 2.8 x 0.5 mm	722F.700-W0	1	0.012 kg	
					B - A - B	B = 60° / 60°	Solder 2.8 x 0.5 mm	732F.700-W0	2	0.012 kg	
					C - A - B	C = 60°, B = 60°	Solder 2.8 x 0.5 mm	742F.700-W0	3	0.012 kg	

Contacts: NC = Normally closed, NO = Normally open
Switching action: A = Rest, B = Momentary, C = Maintained
The component layouts you will find from page 107

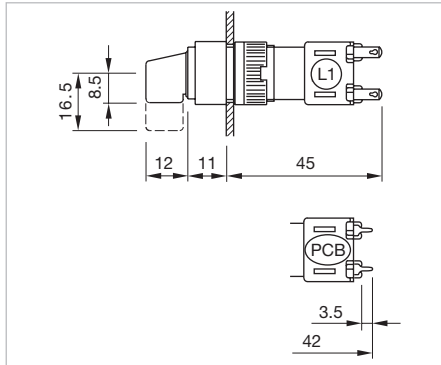


55 Raised design

Selector switch 3 positions round Ø 24 mm

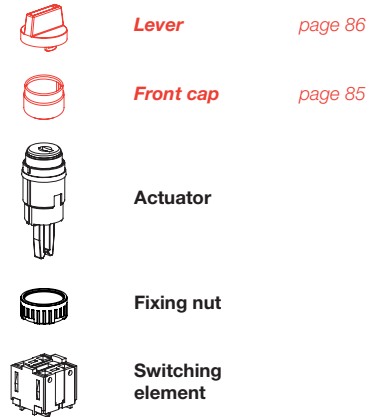


Product can differ from the current configuration.



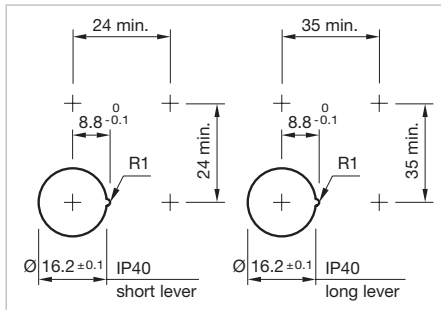
Dimensions [mm]
L1 = Solder terminal 2.8 x 0.5 mm,
PCB = Print terminal

Equipment consisting of (schematic overview)



Additional Information

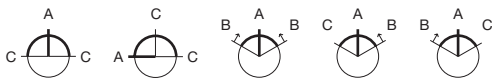
- With IP 65 no anti-rotation device can be placed within the mounting cut-out. For rear-side mounting of the anti-rotation device, please see chapter «Accessories», Part No. 260-0020-00 or 260-0021-00



Mounting cut-outs [mm]

Each Part Number listed below includes all the black components shown in the 3D-drawing.

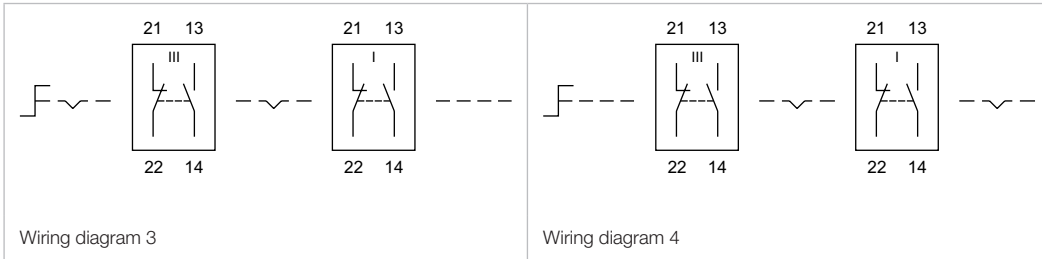
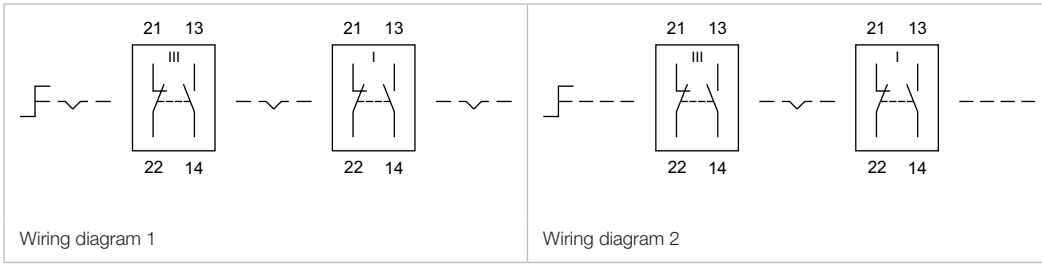
To obtain a complete unit, please select the red components from the pages shown.



Switching positions (A = Rest, B = Momentary, C = Maintained)

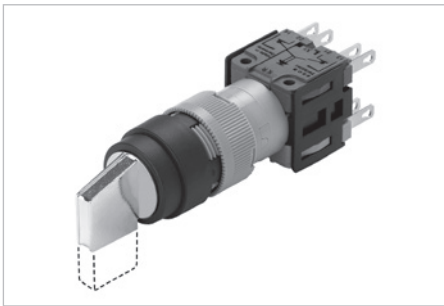
Front protection	Switching system	Behind panel depth	Contacts	Switching action	Switching angle	Terminal	Part No.	Component layout	Wiring diagram	Weight		
	Snap-action switching element	42 mm	2 NC + 2 NO	C - A - C	C = 90° / 90°	PCB	712F.700-0P	1	1	0.012 kg		
				C - A - B	C = 60°, B = 60°	PCB	742F.700-0P	1	3	0.012 kg		
		45 mm	2 NC + 2 NO	C - A - C	C = 90° / 90°	Solder 2.8 x 0.5 mm	712F.700-00	1	0.012 kg			
				A - C - C	C = 90° / 180°	Solder 2.8 x 0.5 mm	722F.700-00	1	0.012 kg			
				B - A - B	B = 60° / 60°	Solder 2.8 x 0.5 mm	732F.700-00	2	0.012 kg			
				C - A - B	C = 60°, B = 60°	Solder 2.8 x 0.5 mm	742F.700-00	3	0.012 kg			
				B - A - C	B = 60°, C = 60°	Solder 2.8 x 0.5 mm	752F.700-00	4	0.012 kg			
				C - A - B	C = 60°, B = 60°	Solder 2.8 x 0.5 mm	742F.700-00	3	0.012 kg			
		IP 65	Snap-action switching element	42 mm	2 NC + 2 NO	C - A - C	C = 90° / 90°	PCB	712F.700-WP	1	1	0.012 kg
						B - A - B	B = 60° / 60°	PCB	732F.700-WP	1	2	0.012 kg
45 mm	2 NC + 2 NO			C - A - C	C = 90° / 90°	Solder 2.8 x 0.5 mm	712F.700-W0	1	0.012 kg			
				A - C - C	C = 90° / 180°	Solder 2.8 x 0.5 mm	722F.700-W0	1	0.012 kg			
				B - A - B	B = 60° / 60°	Solder 2.8 x 0.5 mm	732F.700-W0	2	0.012 kg			
				C - A - B	C = 60°, B = 60°	Solder 2.8 x 0.5 mm	742F.700-W0	3	0.012 kg			

Contacts: NC = Normally closed, NO = Normally open
Switching action: A = Rest, B = Momentary, C = Maintained
The component layouts you will find from page 107

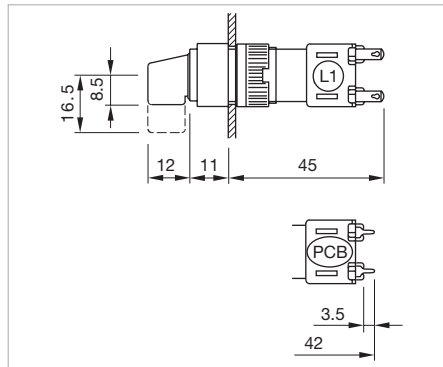


55 Raised design

Selector switch 3 positions round Ø 18 mm

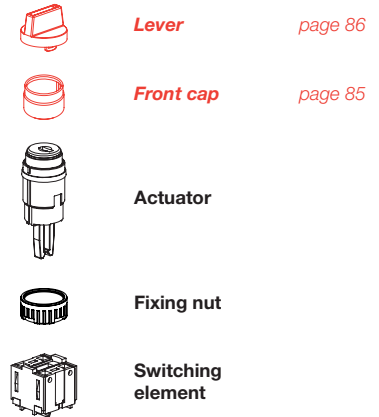


Product can differ from the current configuration.



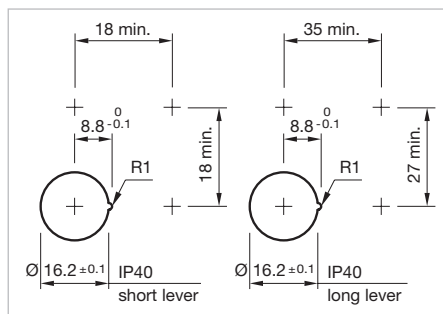
Dimensions [mm]
L1 = Solder terminal 2.8 x 0.5 mm,
PCB = Print terminal

Equipment consisting of (schematic overview)



Additional Information

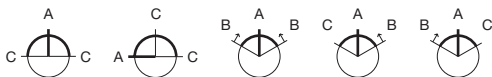
- For the flush design please order the additional front bezel set, see chapter «Accessories»
- With IP 65 no anti-rotation device can be placed within the mounting cut-out. For rear-side mounting of the anti-rotation device, please see chapter «Accessories», Part No. 260-0020-00 or 260-0021-00



Mounting cut-outs [mm]

Each Part Number listed below includes all the black components shown in the 3D-drawing.

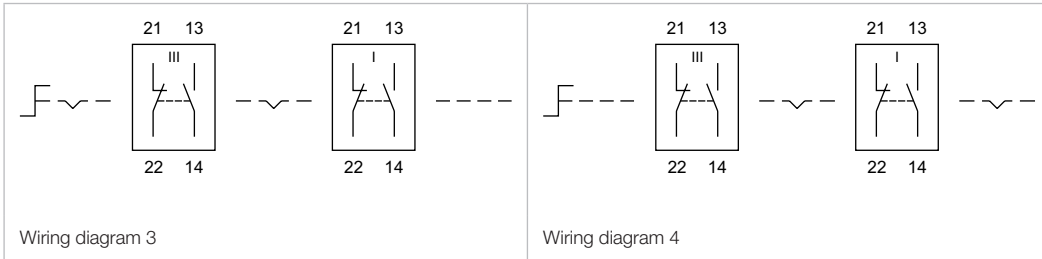
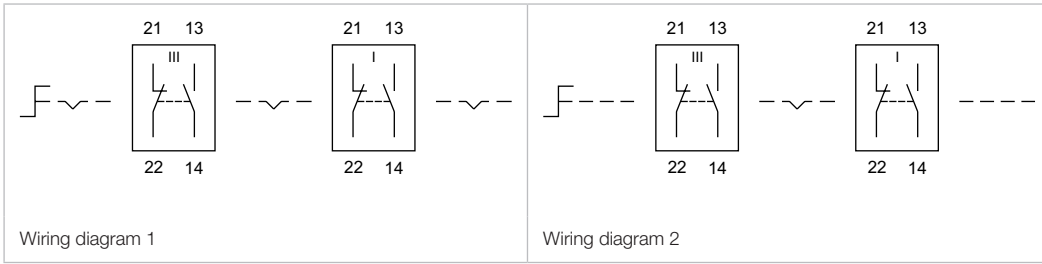
To obtain a complete unit, please select the red components from the pages shown.



Switching positions (A = Rest, B = Momentary, C = Maintained)

Front protection	Switching system	Behind panel depth	Contacts	Switching action	Switching angle	Terminal	Part No.	Component layout	Wiring diagram	Weight	
	Snap-action switching element	42 mm	2 NC + 2 NO	C - A - C	C = 90° / 90°	PCB	712F.700-0P	1	1	0.012 kg	
				C - A - B	C = 60°, B = 60°	PCB	742F.700-0P	1	3	0.012 kg	
		45 mm	2 NC + 2 NO	C - A - C	C = 90° / 90°	Solder 2.8 x 0.5 mm	712F.700-00	1	0.012 kg		
				A - C - C	C = 90° / 180°	Solder 2.8 x 0.5 mm	722F.700-00	1	0.012 kg		
				B - A - B	B = 60° / 60°	Solder 2.8 x 0.5 mm	732F.700-00	2	0.012 kg		
				C - A - B	C = 60°, B = 60°	Solder 2.8 x 0.5 mm	742F.700-00	3	0.012 kg		
	IP 65	Snap-action switching element	42 mm	2 NC + 2 NO	C - A - C	C = 90° / 90°	PCB	712F.700-WP	1	1	0.012 kg
					B - A - B	B = 60° / 60°	PCB	732F.700-WP	1	2	0.012 kg
			45 mm	2 NC + 2 NO	C - A - C	C = 90° / 90°	Solder 2.8 x 0.5 mm	712F.700-W0	1	0.012 kg	
					A - C - C	C = 90° / 180°	Solder 2.8 x 0.5 mm	722F.700-W0	1	0.012 kg	
					B - A - B	B = 60° / 60°	Solder 2.8 x 0.5 mm	732F.700-W0	2	0.012 kg	
					C - A - B	C = 60°, B = 60°	Solder 2.8 x 0.5 mm	742F.700-W0	3	0.012 kg	






Contacts: NC = Normally closed, NO = Normally open
Switching action: A = Rest, B = Momentary, C = Maintained
The component layouts you will find from page 107



Front bezel for keylock switch and selector switch 2 positions

Additional Information



- Front bezel and switch will be delivered assembled

Product attribute	Marking	Material	Colour	Part No.	Weight
 <p>Front bezel for keylock switch and selector switch 2 positions square, 18 x 18 mm</p>					
fits for all Part No.	without marking	Plastic	grey	200-3004-00	0.002 kg
			black	200-4004-00	0.002 kg
for Part No. 761-xxx ... 772-xxx 911-xxx ... 925-xxx 811-xxx ... 825-xxx	0 - I (90°)	Plastic	grey	200-3001-00	0.002 kg
			black	200-4001-00	0.002 kg
for Part No. 781-xxx 782-xxx 931-xxx ... 935- xxx 831-xxx ... 835-xxx	0 - I (60°)	Plastic	black	200-4001-01	0.002 kg
 <p>Front bezel for keylock switch and selector switch 2 positions rectangular, 18 x 24 mm</p>					
fits for all Part No.	without marking	Plastic	grey	200-5004-00	0.002 kg
			black	200-6004-00	0.002 kg
for Part No. 761-xxx ... 772-xxx 911-xxx ... 925-xxx 811-xxx ... 825-xxx	0 - I (90°)	Plastic	grey	200-5001-00	0.002 kg
			black	200-6001-00	0.002 kg
for Part No. 781-xxx 782-xxx 931-xxx ... 935- xxx 831-xxx ... 835-xxx	0 - I (60°)	Plastic	black	200-6001-01	0.002 kg
 <p>Front bezel for keylock switch and selector switch 2 positions round, 18 mm</p>					
fits for all Part No.	without marking	Plastic	grey	200-1004-00	0.002 kg
			black	200-2004-00	0.002 kg
for Part No. 761-xxx ... 772-xxx 911-xxx ... 925-xxx 811-xxx ... 825-xxx	0 - I (90°)	Plastic	grey	200-1001-00	0.002 kg
			black	200-2001-00	0.002 kg
for Part No. 781-xxx 782-xxx 931-xxx ... 935- xxx 831-xxx ... 835-xxx	0 - I (60°)	Plastic	black	200-2001-01	0.002 kg
 <p>Front bezel for keylock switch and selector switch 2 positions square, 24 x 24 mm</p>					
fits for all Part No.	without marking	Plastic	grey	200-9004-00	0.002 kg
			black	200-0004-00	0.002 kg
for Part No. 761-xxx ... 772-xxx 911-xxx ... 925-xxx 811-xxx ... 825-xxx	0 - I (90°)	Plastic	grey	200-9001-00	0.002 kg
			black	200-0001-00	0.002 kg
for Part No. 781-xxx 782-xxx 931-xxx ... 935- xxx 831-xxx ... 835-xxx	0 - I (60°)	Plastic	black	200-0001-01	0.002 kg
 <p>Front bezel for keylock switch and selector switch 2 positions round, 24 mm</p>					
fits for all Part No.	without marking	Plastic	grey	200-7004-00	0.002 kg
			black	200-8004-00	0.002 kg
for Part No. 761-xxx ... 772-xxx 911-xxx ... 925-xxx 811-xxx ... 825-xxx	0 - I (90°)	Plastic	grey	200-7001-00	0.002 kg
			black	200-8001-00	0.002 kg
for Part No. 781-xxx 782-xxx 931-xxx ... 935- xxx 831-xxx ... 835-xxx	0 - I (60°)	Plastic	black	200-8001-01	0.002 kg


Front bezel for keylock switch and selector switch 3 positions

Additional Information

- Front bezel and switch will be delivered assembled

Product attribute	Marking	Material	Colour	Part No.	Weight
 <p>Front bezel for keylock switch and selector switch 3 positions square, 18 x 18 mm</p>					
fits for all Part No.	without marking	Plastic	grey	200-3004-00	0.002 kg
			black	200-4004-00	0.002 kg
for Part No. 712-xxx	I (90°) - 0 - II (90°)	Plastic	grey	200-3002-00	0.002 kg
			black	200-4002-00	0.002 kg
for Part No. 722-xxx	0 (90°) - I - II (90°)	Plastic	grey	200-3003-00	0.002 kg
			black	200-4003-00	0.002 kg
for Part No. 732-xxx	I (60°) - 0 - II (60°)	Plastic	black	200-4002-02	0.002 kg
for Part No. 742-xxx	I (90°) - 0 - II (60°)	Plastic	black	200-4002-03	0.002 kg
 <p>Front bezel for keylock switch and selector switch 3 positions rectangular, 18 x 24 mm</p>					
fits for all Part No.	without marking	Plastic	grey	200-5004-00	0.002 kg
			black	200-6004-00	0.002 kg
for Part No. 712-xxx	I (90°) - 0 - II (90°)	Plastic	grey	200-5002-00	0.002 kg
			black	200-6002-00	0.002 kg
for Part No. 722-xxx	0 (90°) - I - II (90°)	Plastic	grey	200-5003-00	0.002 kg
			black	200-6003-00	0.002 kg
for Part No. 732-xxx	I (60°) - 0 - II (60°)	Plastic	black	200-6002-02	0.002 kg
for Part No. 742-xxx	I (90°) - 0 - II (60°)	Plastic	black	200-6002-03	0.002 kg
for Part No. 752-xxx	I (60°) - 0 - II (90°)	Plastic	black	200-6002-04	0.002 kg
 <p>Front bezel for keylock switch and selector switch 3 positions round, 18 mm</p>					
fits for all Part No.	without marking	Plastic	grey	200-1004-00	0.002 kg
			black	200-2004-00	0.002 kg
for Part No. 712-xxx	I (90°) - 0 - II (90°)	Plastic	grey	200-1002-00	0.002 kg
			black	200-2002-00	0.002 kg
for Part No. 722-xxx	0 (90°) - I - II (90°)	Plastic	grey	200-1003-00	0.002 kg
			black	200-2003-00	0.002 kg
for Part No. 732-xxx	I (60°) - 0 - II (60°)	Plastic	black	200-2002-02	0.002 kg
for Part No. 742-xxx	I (90°) - 0 - II (60°)	Plastic	black	200-2002-03	0.002 kg
 <p>Front bezel for keylock switch and selector switch 3 positions square, 24 x 24 mm</p>					
fits for all Part No.	without marking	Plastic	grey	200-9004-00	0.002 kg
			black	200-0004-00	0.002 kg
for Part No. 712-xxx	I (90°) - 0 - II (90°)	Plastic	black	200-0002-00	0.002 kg
for Part No. 722-xxx	0 (90°) - I - II (90°)	Plastic	grey	200-9003-00	0.002 kg
			black	200-0003-00	0.002 kg
for Part No. 732-xxx	I (60°) - 0 - II (60°)	Plastic	black	200-0002-02	0.002 kg


55 Accessories


Product attribute	Marking	Material	Colour	Part No.	Weight
 <p>Front bezel for keylock switch and selector switch 3 positions round, 24 mm</p>					
fits for all Part No.	without marking	Plastic	grey	200-7004-00	0.002 kg
			black	200-8004-00	0.002 kg
for Part No. 712-xxx	I (90°) - 0 - II (90°)	Plastic	black	200-8002-00	0.002 kg
for Part No. 722-xxx	0 (90°) - I - II (90°)	Plastic	grey	200-7003-00	0.002 kg
			black	200-8003-00	0.002 kg
for Part No. 732-xxx	I (60°) - 0 - II (60°)	Plastic	black	200-8002-02	0.002 kg
for Part No. 742-xxx	I (90°) - 0 - II (60°)	Plastic	black	200-8002-03	0.002 kg

Lever








Additional Information

- Lever and switch will be delivered assembled



Lever	Part No.	Weight
 <p>Lever</p>		
Plastic chrome short	200-.604-00	0.001 kg
Plastic black short	200-.704-00	0.001 kg

Lever	Part No.	Weight
 <p>Lever</p>		
Plastic chrome long	200-.804-00	0.001 kg
Plastic black long	200-.904-00	0.001 kg


Blind plug

Front protection	Dimension	Mounting cut-out	Material	Colour	Part No.	Weight
	Blind plug					
IP 40	18 x 18 mm	Ø 16 mm	Plastic	black	01-948.0	0.003 kg
	Blind plug					
IP 65	18 x 18 mm	Ø 16 mm	Plastic	black	51-948.0	0.003 kg
	Blind plug					
IP 65	24 x 24 mm	Ø 16 mm	Plastic	black	61-9450.0	0.003 kg
	Blind plug					
IP 40	18 x 24 mm	Ø 16 mm	Plastic	black	01-947.0	0.003 kg
	Blind plug					
IP 65	18 x 24 mm	Ø 16 mm	Plastic	black	51-947.0	0.003 kg
	Blind plug					
IP 40	Ø 18 mm	Ø 16 mm	Plastic	black	01-949.0	0.003 kg
	Blind plug					
IP 65	Ø 18 mm	Ø 16 mm	Plastic	black	51-949.0	0.003 kg

Holder for 2 switching elements

Product attribute	Material	Part No.	Weight
 <p>Holder for 2 switching elements</p>			
for push-pull illuminated switch	Plastic	270-2000-00	0.001 kg
 <p>Holder for 2 switching elements</p>			
for pushbutton, keylock switch, selector switch	Plastic	270-3000-00	0.001 kg


Holder for 3 switching elements

Product attribute	Material	Part No.	Weight
 <p>Holder for 3 switching elements</p>			
for pushbutton illuminated	Stainless steel	270-1000-00	0.001 kg

Spring with pin

Additional Information


- For maintained version at the intermediate section

Product attribute	Part No.	Weight
 <p>Spring with pin</p>		
for pushbutton illuminated	260-0010-00	0.001 kg

Lamp remover

Additional Information


▲ **Caution:** A switching process might be released when replacing the lamp

Part No.	Weight
 <p>Lamp remover</p>	
61-9740.0	0.003 kg

Mounting tool

Additional Information

- For tightening or loosening of the fixing nut (at dismantled Element block)

Part No.	Weight
 <p>Mounting tool</p>	
300-0003-00	0.007 kg

Dismantling tool for emergency-stop switch, foolproof

Part No.	Weight
 <p>Dismantling tool for emergency-stop switch, foolproof</p>	
61-9711.0	0.004 kg