

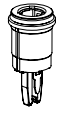
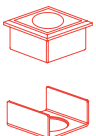

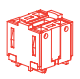

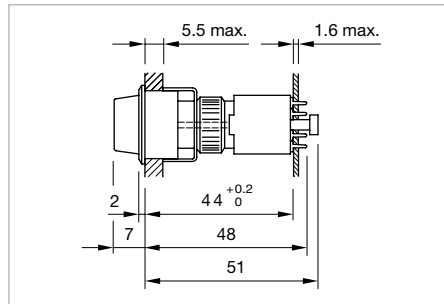


Selector switch 2 positions square, IP 65

Equipment consisting of (schematic overview)

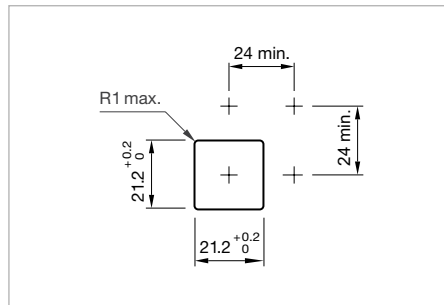
-  **Lever** page 719
-  **Single-LED** page 730
-  **Actuator**
-  **Front bezel set** page 723
-  **Fixing nut**
-  **Switching element** page 728
-  **Interlocking pin**



Dimensions [mm]



Product can differ from the current configuration.



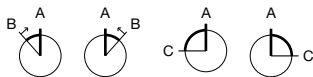
Mounting cut-outs [mm]

Additional Information


- For front dimension 24 x 24 mm
- Illuminative
- Pitch of the front plate mounting cut-outs must agree with the printed circuit board holes $\varnothing 3.5$

Each Part Number listed below includes all the black components shown in the 3D-drawing.

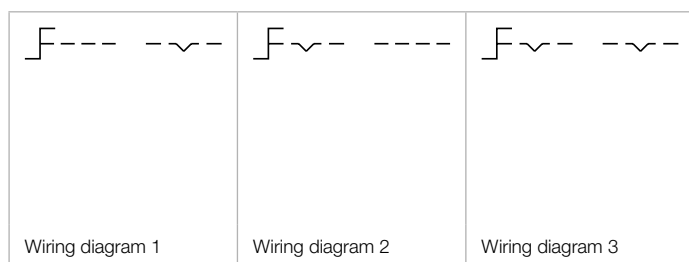
To obtain a complete unit, please select the red components from the pages shown.



Switching positions (A = Rest, B = Momentary, C = Maintained)

Switching action	Switching angle	Part No.	Wiring diagram	Weight
 Selector switch actuator 2 positions square				
B - A	B = 42°	71-641.0	1	0.003 kg
A - B	B = 42°	71-641.0A	2	0.003 kg
C - A	C = 90°	71-642.0	3	0.003 kg
A - C	C = 90°	71-642.0A	3	0.003 kg

Switching action: A = Rest, B = Momentary, C = Maintain

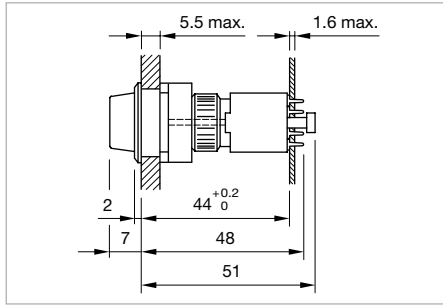


71 Flush design

Selector switch 2 positions round, IP 65

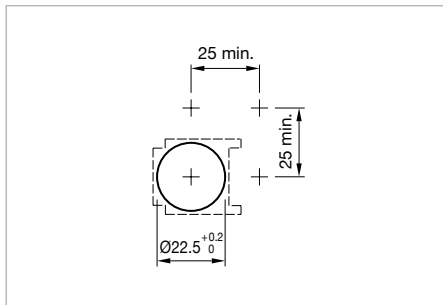


Product can differ from the current configuration.



Additional Information

- For front dimension \varnothing 25 mm
- Illuminative
- Pitch of the front plate mounting cut-outs must agree with the printed circuit board holes \varnothing 3.5

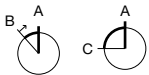


Equipment consisting of (schematic overview)

	Lever	page 719
	Single-LED	page 730
	Actuator	
	Front bezel set	page 723
	Anti-twist ring	
	Part of front bezel set	
	Fixing nut	
	Switching element	page 728
	Interlocking pin	

Each Part Number listed below includes all the black components shown in the 3D-drawing.

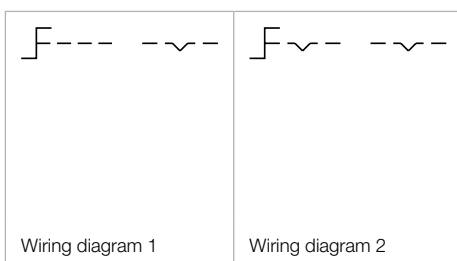
To obtain a complete unit, please select the red components from the pages shown.



Switching positions (A = Rest, B = Momentary, C = Maintained)



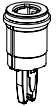

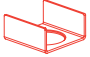


Switching action	Switching angle	Part No.	Wiring diagram	Weight
Selector switch actuator 2 positions round				
B - A	B = 42°	71-641.0	1	0.003 kg
C - A	C = 90°	71-642.0	2	0.003 kg

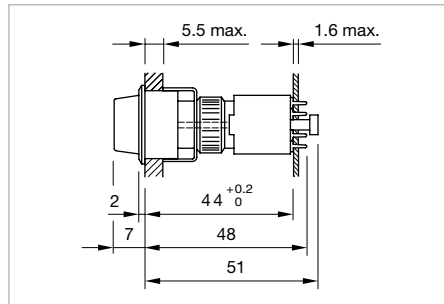
Switching action: A = Rest, B = Momentary, C = Maintain



Selector switch 3 positions square, IP 65

Equipment consisting of (schematic overview)

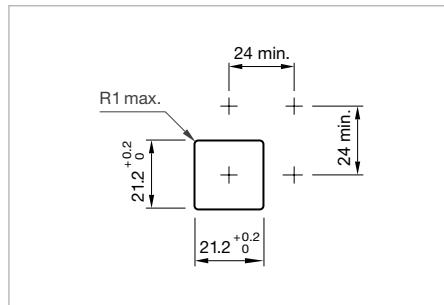
-  **Lever** page 719
-  **Single-LED** page 730
-  **Actuator**
-  **Front bezel set** page 723
-  **Fixing nut**
-  **Switching element** page 728
-  **Interlocking pin**



Dimensions [mm]



Product can differ from the current configuration.



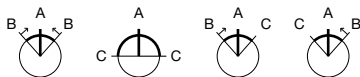
Mounting cut-outs [mm]

Additional Information


- For front dimension 24 x 24 mm
- Illuminative
- Pitch of the front plate mounting cut-outs must agree with the printed circuit board holes $\varnothing 3.5$

Each Part Number listed below includes all the black components shown in the 3D-drawing.

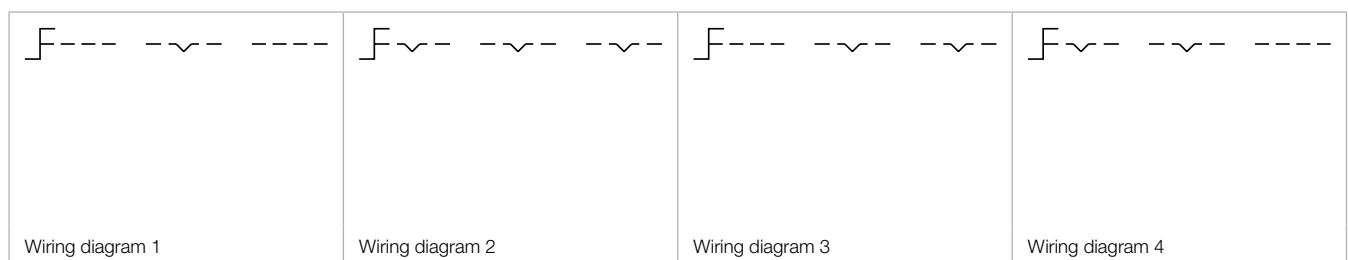
To obtain a complete unit, please select the red components from the pages shown.



Switching positions (A = Rest, B = Momentary, C = Maintained)

Switching action	Switching angle	Part No.	Wiring diagram	Weight
				
Selector switch actuator 3 positions square				
B - A - B	B = 42° / 42°	71-651.0	1	0.003 kg
C - A - C	C = 90° / 90°	71-652.0	2	0.003 kg
B - A - C	B = 42°, C = 90°	71-656.0	3	0.003 kg
C - A - B	C = 90°, B = 42°	71-658.0	4	0.003 kg

Switching action: A = Rest, B = Momentary, C = Maintain



Wiring diagram 1

Wiring diagram 2

Wiring diagram 3

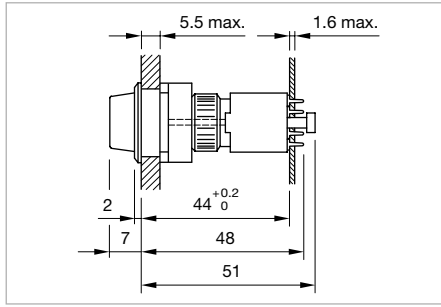
Wiring diagram 4

71 Flush design

Selector switch 3 positions round, IP 65



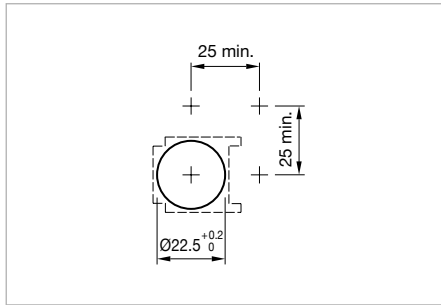
Product can differ from the current configuration.



Dimensions [mm]

Additional Information

- For front dimension \varnothing 25 mm
- Illuminative
- Pitch of the front plate mounting cut-outs must agree with the printed circuit board holes \varnothing 3.5



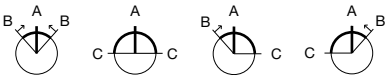
Mounting cut-outs [mm]

Equipment consisting of (schematic overview)

	Lever	page 719
	Single-LED	page 730
	Actuator	
	Front bezel set	page 723
	Anti-twist ring	
	Part of front bezel set	
	Fixing nut	
	Switching element	page 728
	Interlocking pin	

Each Part Number listed below includes all the black components shown in the 3D-drawing.

To obtain a complete unit, please select the red components from the pages shown.



Switching positions (A = Rest, B = Momentary, C = Maintained)

Switching action	Switching angle	Part No.	Wiring diagram	Weight
Selector switch 3 positions round				
B - A - B	B = 42° / 42°	71-651.0	1	0.003 kg
C - A - C	C = 90° / 90°	71-652.0	2	0.003 kg
B - A - C	B = 42°, C = 90°	71-656.0	3	0.003 kg
C - A - B	C = 90°, B = 42°	71-658.0	4	0.003 kg



Switching action: A = Rest, B = Momentary, C = Maintain

Wiring diagram 1	Wiring diagram 2	Wiring diagram 3	Wiring diagram 4

Front bezel set selector switch

Additional Information



- The dimensions of the mounting cut-outs are shown in the product details
- Pitch of the front plate mounting cut-outs must agree with the printed circuit board holes Ø 3.5
- With the round front bezel sets Ø 25 mm the anti-twist ring is part of the sales-package
- The colour of anodized aluminium parts can vary due to technical production reasons

Mounting cut-out	Front bezel	Part No.	Weight
 <p>Front bezel set for selector switch, flush design, Front dimension 24 x 24 mm</p>			
21 x 21 mm	Plastic black	61-9936.0	0.007 kg
 <p>Front bezel set for selector switch, flush design, Front dimension Ø 25 mm</p>			
Ø 22.5 mm	Aluminium natural anodized	61-9932.0	0.006 kg
	Aluminium black anodized	61-9932.1	0.006 kg
	Aluminium red anodized	61-9932.2	0.006 kg
	Aluminium gold anodized	61-9932.4	0.006 kg
	Aluminium olive-green anodized	61-9932.5	0.006 kg
	Aluminium blue anodized	61-9932.6	0.006 kg
	Plastic black	61-9932.10	0.008 kg

Front protective cap, IP 68

Additional Information

- When using the front protection cover for push buttons the external sealing in the front bezel set and the silicone bellows in the actuator are to be removed


Product attribute	Material	Colour	Optics	Part No.	Weight
 <p>Front protective cap</p>					
for front bezel set 24 x 30 mm, flush design	Silicone	colourless	transparent	61-9927.2	0.001 kg
 <p>Front protective cap</p>					
for front bezel set Ø 25 mm, flush design	Silicone	colourless	transparent	84-9103.7	0.001 kg

01
02
03
04
10
14
17
18
19
22
31
41
44
51
56
57
61
70
71
82
84
92
95
96
97
99
ST

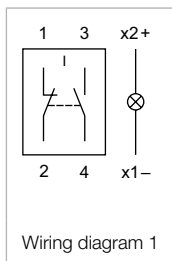
Switching element switch 2 positions

Additional Information

- Including locking pin

Contacts	Terminal	Part No.	Component layout	Wiring diagram	Weight
 <p>Switching element for keylock- and selector switch 2 positions</p>					
1 NC + 1 NO	PCB	71-671.026	1	1	0.005 kg


Contacts: NC = Normally closed, NO = Normally open
The component layouts you will find from page 733



Switching element switch 3 positions

Additional Information

- Including locking pin

Contacts	Terminal	Part No.	Component layout	Wiring diagram	Weight
 <p>Switching element for keylock- and selector switch 3 positions</p>					
2 NC + 2 NO	PCB	71-672.026	1	1	0.005 kg

Contacts: NC = Normally closed, NO = Normally open
The component layouts you will find from page 733

