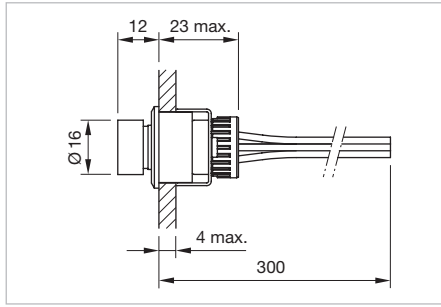


# 61 Flush design

## Potentiometer, IP 65



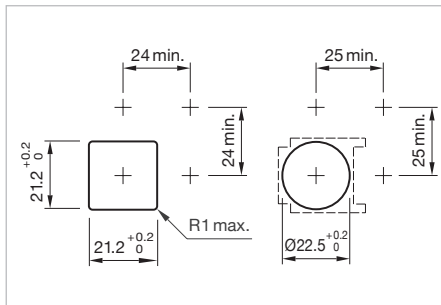
Product can differ from the current configuration.



Dimensions [mm]

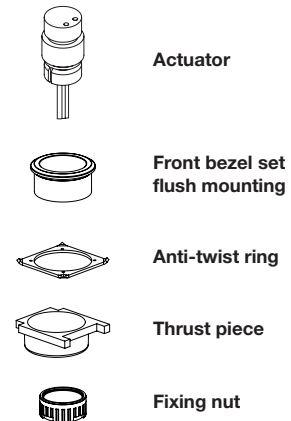
### Additional Information

- Resistance 10 kOhms / linear
- Power 1 W
- Slewing 300 °
- Cable length 300 mm





Mounting cut-outs [mm]

### Equipment consisting of (schematic overview)



Each Part Number listed below includes all the black components shown in the 3D-drawing.

Front bezel	Terminal	Part No.	Component layout	Wiring diagram	Weight
					
<b>Potentiometer, Front dimension 24 x 24 mm</b>					
Plastic black	Flat ribbon cable	<b>61-4970.13</b>	1	1	0.023 kg
					
<b>Potentiometer, Front dimension Ø 25 mm</b>					
Plastic black	Flat ribbon cable	<b>61-4970.10</b>	1	1	0.016 kg

The component layouts you will find from page 666

