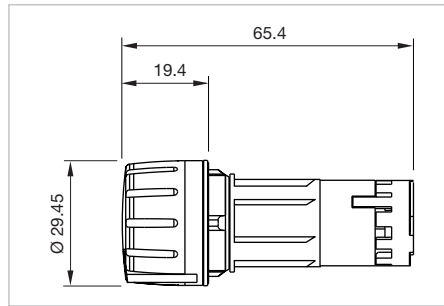
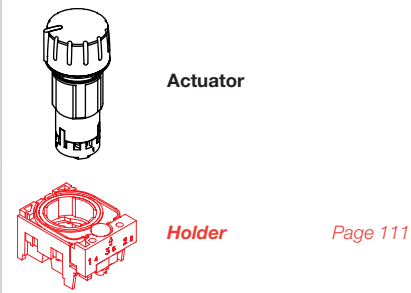


Potentiometer, IP66, IP67, IP69K

Equipment consisting of (schematic overview)



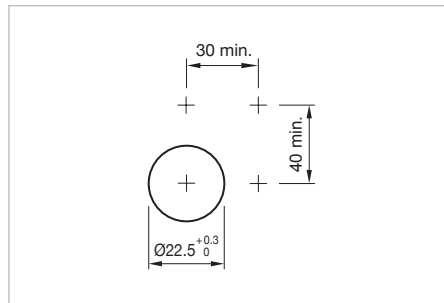
Dimensions [mm]



Product can differ from the current configuration.

Each Part Number listed below includes all the black components shown in the 3D-drawing.


To obtain a complete unit, please select the red components from the pages shown.



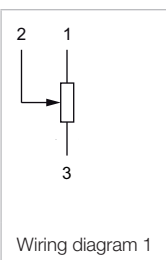
Mounting cut-outs [mm]

Additional Information

- Power 0.5 W
- Slewing range 210°–150°

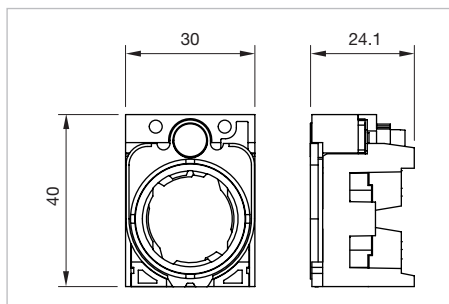
Product attribute	Front ring	Housing material	Part No.	Component layout	Wiring diagram	Weight
 <p>Potentiometer, Front dimension Ø 29.45 mm</p>						
Resistor 1 kOhm / linear, series E3	Plastic black	Plastic	45-2P03.1E10.000	1	1	0.03 kg
Resistor 4.7 kOhm / linear, series E3	Plastic black	Plastic	45-2P04.1E10.000	1	1	0.03 kg
Resistor 10 kOhm / linear, series E3	Plastic black	Plastic	45-2P02.1E10.000	1	1	0.03 kg
Resistor 47 kOhm / linear, series E3	Plastic black	Plastic	45-2P06.1E10.000	1	1	0.03 kg
Resistor 100 kOhm / linear, series E3	Plastic black	Plastic	45-2P01.1E10.000	1	1	0.03 kg
Resistor 470 kOhm / linear, series E3	Plastic black	Plastic	45-2P05.1E10.000	1	1	0.03 kg
Resistor 1 kOhm / linear, series E3	Metal silver	Metal	45-2P03.2E10.000	1	1	0.03 kg
Resistor 4.7 kOhm / linear, series E3	Metal silver	Metal	45-2P04.2E10.000	1	1	0.03 kg
Resistor 10 kOhm / linear, series E3	Metal silver	Metal	45-2P02.2E10.000	1	1	0.03 kg
Resistor 47 kOhm / linear, series E3	Metal silver	Metal	45-2P06.2E10.000	1	1	0.03 kg
Resistor 100 kOhm / linear, series E3	Metal silver	Metal	45-2P01.2E10.000	1	1	0.03 kg
Resistor 470 kOhm / linear, series E3	Metal silver	Metal	45-2P05.2E10.000	1	1	0.03 kg

The component layouts you will find from Page 116





Rear side

Holder for 3 elements

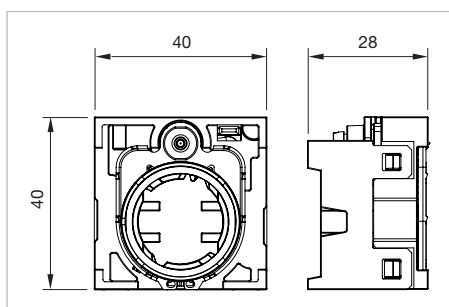


Dimensions [mm]


Material	Part No.	Component layout	Weight
 <p>Holder for 3 switching elements</p>			
Plastic	45-2300.1000.000	2	0.028 kg
 <p>Holder for 3 switching elements</p>			
Metal	45-2300.2000.000	2	0.046 kg

The component layouts you will find from Page 116

Holder for 4 elements



Dimensions [mm]

Material	Part No.	Component layout	Weight
 <p>Holder for 4 switching elements</p>			
Plastic	45-2400.1000.000	3	0.028 kg

Potentiometer
Material
Actuator element

Round lever, plastic

Front ring

Plastic or metal

Actuator housing

Plastic or metal

Mechanical characteristics
Terminals

Screw terminal

- Solid 2 x (1.0 ... 1.5 mm²)
- With end sleeves 2 x (0.5 ... 0.75 mm²)
- Finely stranded
- Without end sleeves 2 x (0.5 ... 0.75 mm²)
- With end sleeves 2 x (0.5 ... 1.5 mm²)
- For AWG cables for auxiliary contacts 2 x (18 ... 14)

Spring-type terminal (SP)

- Solid 2 x (0.25 ... 1.5 mm²)
- Finely stranded
- Without end sleeves 2 x (0.5 ... 1.5 mm²)
- With end sleeves 2 x (0.5 ... 0.75 mm²)
- For AWG cables for auxiliary contacts 2 x (24 ... 16)

Tightening torque

0.8 ... 1 Nm

Operating frequency

max. 1 800/h

Mechanical lifetime

25 000 switching cycles

Vibration resistance

 according to IEC 60068-2-6
 10 ... 500 Hz: 5 g

Shock resistance

 according to IEC 60068-2-27
 Sinusoidal half-wave 50 g /11 ms

Slewing range

210°–150°

Electrical characteristics
Active power consumption

0.5 W

Insulation voltage

Rated value 500 V

Environmental conditions
Operating temperature

–25 °C ... +70 °C

Storage temperature

–40 °C ... +80 °C

Protection degree

IP66, IP67, IP69K

Environmental category

 during operation according to IEC 60721:
 3K6, 3C3,3S2, 3M6

Toggle stick actuator
Material
Actuator element

Plastic

Front ring

Plastic or metal

Actuator housing

Plastic or metal

Mechanical characteristics
Operating frequency

3 600/h

Mechanical lifetime

170 000 switching cycles

Vibration resistance





 according to IEC 60068-2-6
 10 ... 500 Hz: 5 g

Shock resistance


 according to IEC 60068-2-27
 Sinusoidal half-wave 50 g /11 ms

Environmental conditions
Operating temperature

–25 °C ... +70 °C

Dimension	Mounting cut-out	Marking	Colour	Product attribute	Part No.	Weight
 <p>Emergency stop legend</p>						
Ø 75 x 1 mm	Ø 23 mm	without marking	yellow	self-adhesive	45-50J.1400	0.004 kg
 <p>Emergency stop legend</p>						
Ø 75 x 1 mm	Ø 23 mm	NOT - HALT	yellow	self-adhesive	45-50J.140Q	0.004 kg
 <p>Emergency stop legend</p>						
Ø 75 x 1 mm	Ø 23 mm	EMERGENCY STOP	yellow	self-adhesive	45-50J.140S	0.004 kg
 <p>Emergency stop legend</p>						
150 x 38 mm	Ø 23 mm	without marking	yellow	self-adhesive	45-561.1400	0.004 kg

Legend plate for potentiometer

Dimension	Material	Colour	Part No.	Weight
 <p>Legend plate for potentiometer</p>				
Ø 40 mm	Plastic	black	45-538.1100	0.001 kg