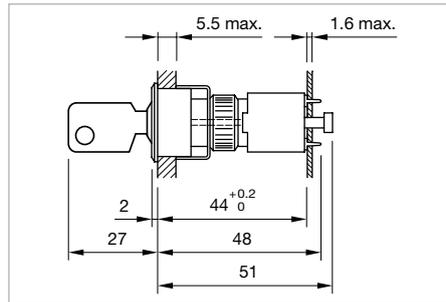
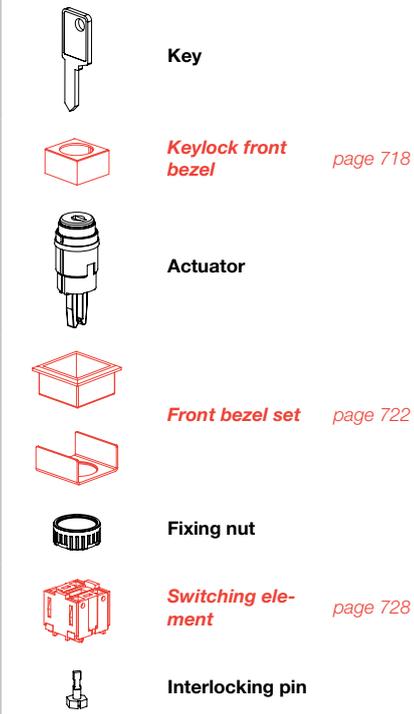


Keylock switch 2 positions square, IP 65

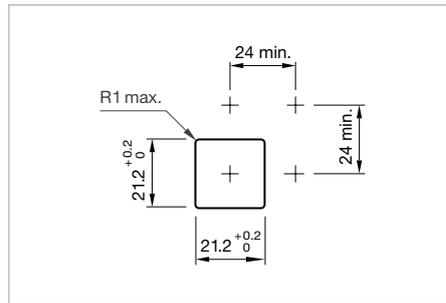
Equipment consisting of (schematic overview)



Dimensions [mm]



Product can differ from the current configuration.



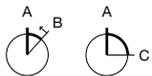
Mounting cut-outs [mm]

Additional Information

- For front dimension 24 x 24 mm
- The standard lock: DOM 311
- Two keys are supplied with each key lock switch
- Optional lock numbers on request
- Pitch of the front plate mounting cut-outs must agree with the printed circuit board holes $\varnothing 3.5$

Each Part Number listed below includes all the black components shown in the 3D-drawing.

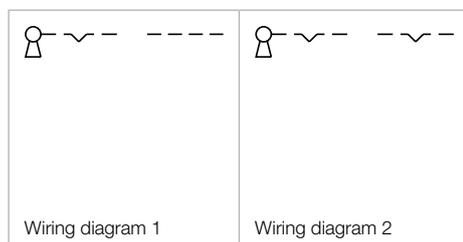
To obtain a complete unit, please select the red components from the pages shown.



Switching positions (A = Rest, B = Momentary, C = Maintained)

Switching action	Switching angle	Key remove	Part No.	Wiring diagram	Weight
 <p>Keylock switch actuator 2 positions square</p>					
A - B	B = 42°	A	71-621.0/D	1	0.003 kg
A - C	C = 90°	A	71-622.0/D	2	0.003 kg
		C	71-623.0/D	2	0.003 kg
		A + C	71-624.0/D	2	0.003 kg

Switching action: A = Rest, B = Momentary, C = Maintain

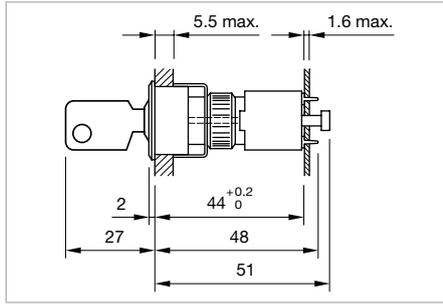


71 Flush design

Keylock switch 2 positions rectangular, IP 65

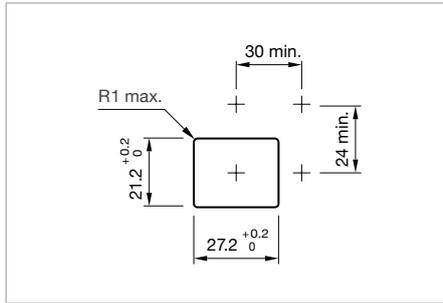


Product can differ from the current configuration.

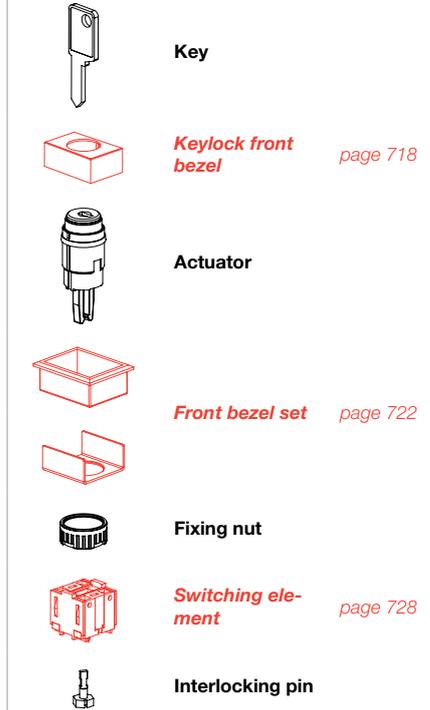


Additional Information

- For front dimension 24 x 30 mm
- The standard lock: DOM 311
- Two keys are supplied with each key lock switch
- Optional lock numbers on request
- Pitch of the front plate mounting cut-outs must agree with the printed circuit board holes $\varnothing 3.5$

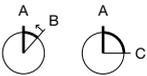


Equipment consisting of (schematic overview)



Each Part Number listed below includes all the black components shown in the 3D-drawing.

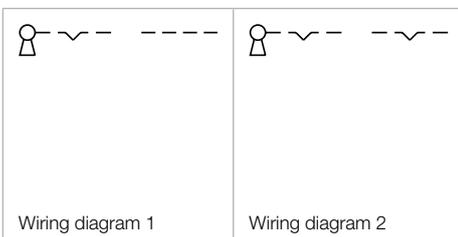
To obtain a complete unit, please select the red components from the pages shown.



Switching positions (A = Rest, B = Momentary, C = Maintained)

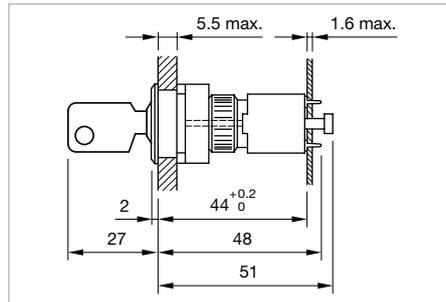
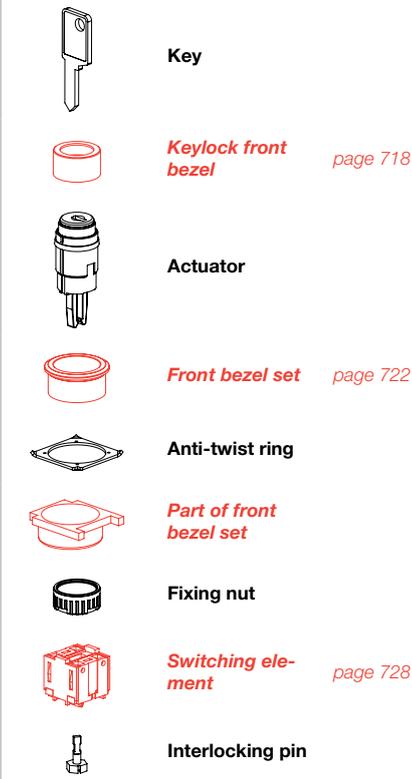
Switching action	Switching angle	Key remove	Part No.	Wiring diagram	Weight
 Keylock switch actuator 2 positions rectangular					
A - B	B = 42°	A	71-621.0/D	1	0.003 kg
A - C	C = 90°	A	71-622.0/D	2	0.003 kg
		C	71-623.0/D	2	0.003 kg
		A + C	71-624.0/D	2	0.003 kg

Switching action: A = Rest, B = Momentary, C = Maintain



Keylock switch 2 positions round, IP 65

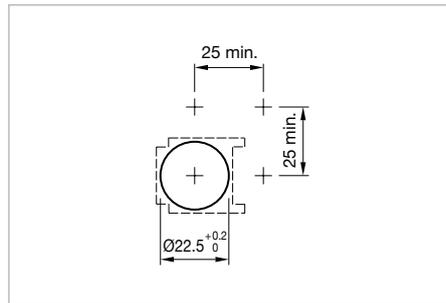
Equipment consisting of (schematic overview)



Dimensions [mm]



Product can differ from the current configuration.



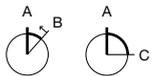
Mounting cut-outs [mm]

Additional Information

- For front dimension \varnothing 25 mm
- The standard lock: DOM 311
- Two keys are supplied with each key lock switch
- Optional lock numbers on request
- Pitch of the front plate mounting cut-outs must agree with the printed circuit board holes \varnothing 3.5

Each Part Number listed below includes all the black components shown in the 3D-drawing.

To obtain a complete unit, please select the red components from the page s shown.



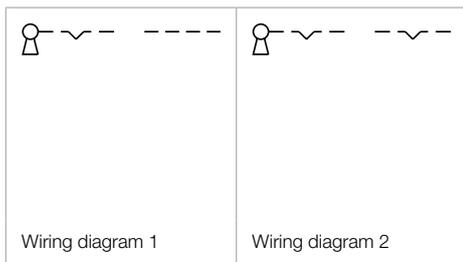
Switching positions (A = Rest, B = Momentary, C = Maintained)

Switching action	Switching angle	Key remove	Part No.	Wiring diagram	Weight
					
Keylock switch actuator 2 positions round					
A - B	B = 42°	A	71-621.0/D	1	0.003 kg
A - C	C = 90°	A	71-622.0/D	2	0.003 kg
		C	71-623.0/D	2	0.003 kg
		A + C	71-624.0/D	2	0.003 kg

Switching action: A = Rest, B = Momentary, C = Maintain

71 Flush design

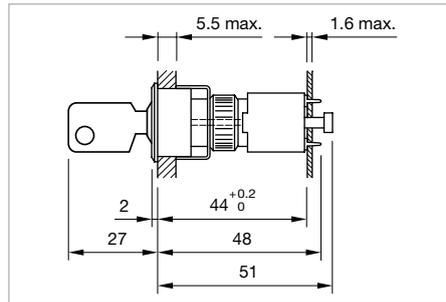
01
02
03
04
10
14
17
18
19
22
31
41
44
51
56
57
61
70
71
82
84
92
95
96
97
99
ST



Keylock switch 3 positions square, IP 65

Equipment consisting of (schematic overview)

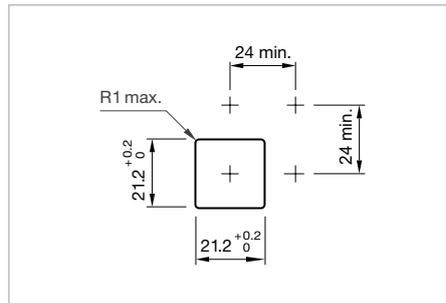
-  **Key**
-  **Keylock front bezel** page 718
-  **Actuator**
-  **Front bezel set** page 722
-  **Fixing nut**
-  **Switching element** page 728
-  **Interlocking pin**



Dimensions [mm]



Product can differ from the current configuration.



Mounting cut-outs [mm]

Additional Information

- For front dimension 24 x 24 mm
- The standard lock: DOM 311
- Two keys are supplied with each key lock switch
- Optional lock numbers on request
- Pitch of the front plate mounting cut-outs must agree with the printed circuit board holes $\varnothing 3.5$

Each Part Number listed below includes all the black components shown in the 3D-drawing.

To obtain a complete unit, please select the red components from the pages shown.



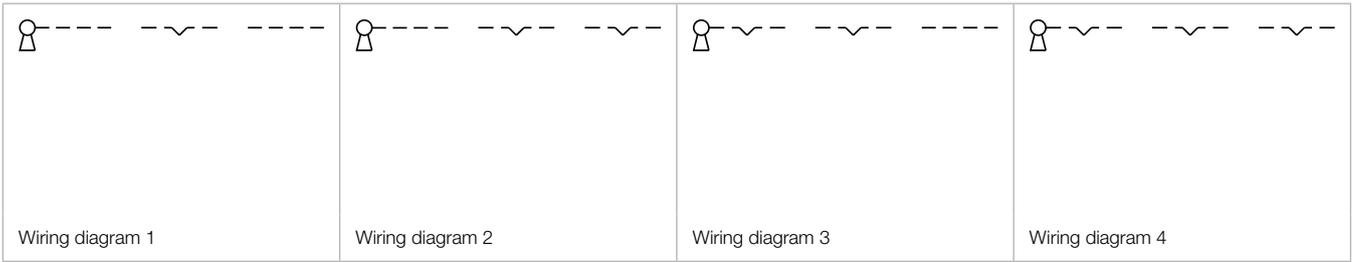
Switching positions (A = Rest, B = Momentary, C = Maintained)

Switching action	Switching angle	Key remove	Part No.	Wiring diagram	Weight
 Keylock switch actuator 3 positions square					
B - A - B	B = 42° / 42°	A	71-631.0/D	1	0.003 kg
B - A - C	B = 42°, C = 90°	A	71-636.0/D	2	0.003 kg
		A + C	71-637.0/D	2	0.003 kg
C - A - B	C = 90°, B = 42°	A	71-638.0/D	3	0.003 kg
		C + A	71-639.0/D	3	0.003 kg
C - A - C	C = 90° / 90°	A	71-632.0/D	4	0.003 kg
		-- C	71-633.0/D	4	0.003 kg
		C + C	71-634.0/D	4	0.003 kg
		C + A + C	71-635.0/D	4	0.003 kg

Switching action: A = Rest, B = Momentary, C = Maintain

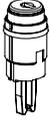
71 Flush design

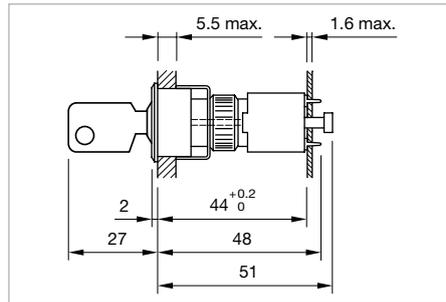
- 01
- 02
- 03
- 04
- 10
- 14
- 17
- 18
- 19
- 22
- 31
- 41
- 44
- 51
- 56
- 57
- 61
- 70
- 71**
- 82
- 84
- 92
- 95
- 96
- 97
- 99
- ST



Keylock switch 3 positions rectangular, IP 65

Equipment consisting of (schematic overview)

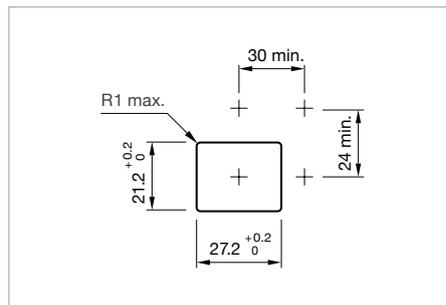
-  **Key**
-  **Keylock front bezel** page 718
-  **Actuator**
-  **Front bezel set** page 722
-  **Fixing nut**
-  **Switching element** page 728
-  **Interlocking pin**



Dimensions [mm]



Product can differ from the current configuration.



Mounting cut-outs [mm]

Additional Information

- For front dimension 24 x 30 mm
- The standard lock: DOM 311
- Two keys are supplied with each key lock switch
- Optional lock numbers on request
- Pitch of the front plate mounting cut-outs must agree with the printed circuit board holes \varnothing 3.5

Each Part Number listed below includes all the black components shown in the 3D-drawing.

To obtain a complete unit, please select the red components from the pages shown.



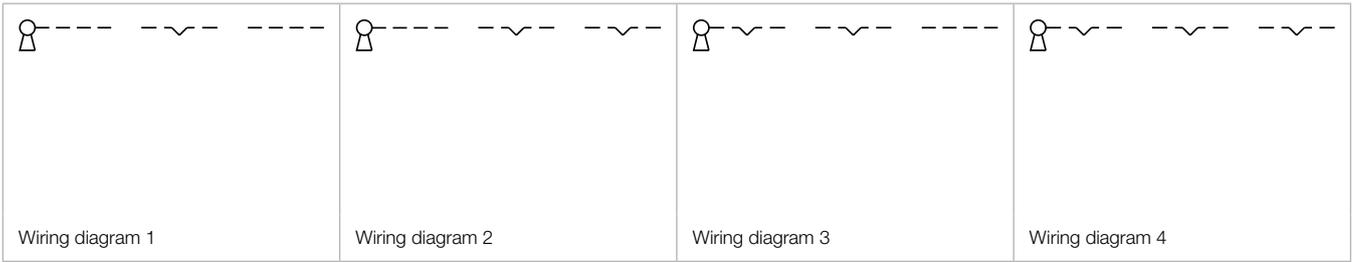
Switching positions (A = Rest, B = Momentary, C = Maintained)

Switching action	Switching angle	Key remove	Part No.	Wiring diagram	Weight
 Keylock switch actuator 3 positions rectangular					
B - A - B	B = 42° / 42°	A	71-631.0/D	1	0.003 kg
B - A - C	B = 42°, C = 90°	A	71-636.0/D	2	0.003 kg
		A + C	71-637.0/D	2	0.003 kg
C - A - B	C = 90°, B = 42°	A	71-638.0/D	3	0.003 kg
		C + A	71-639.0/D	3	0.003 kg
C - A - C	C = 90° / 90°	A	71-632.0/D	4	0.003 kg
		-- C	71-633.0/D	4	0.003 kg
		C + C	71-634.0/D	4	0.003 kg
		C + A + C	71-635.0/D	4	0.003 kg

Switching action: A = Rest, B = Momentary, C = Maintain

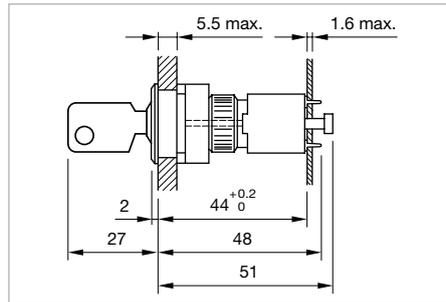
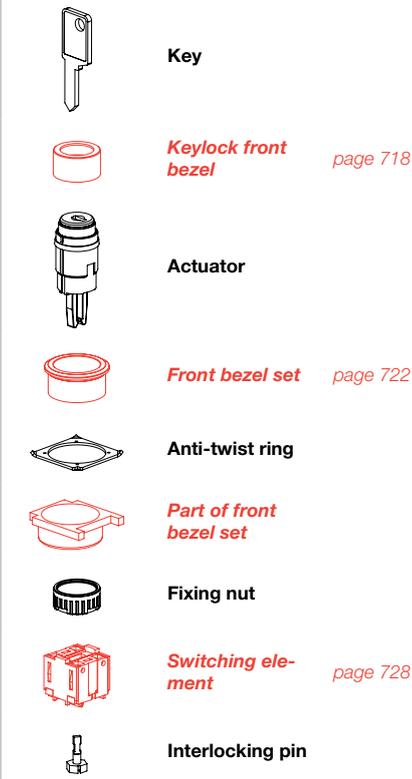
71 Flush design

- 01
- 02
- 03
- 04
- 10
- 14
- 17
- 18
- 19
- 22
- 31
- 41
- 44
- 51
- 56
- 57
- 61
- 70
- 71**
- 82
- 84
- 92
- 95
- 96
- 97
- 99
- ST



Keylock switch 3 positions round, IP 65

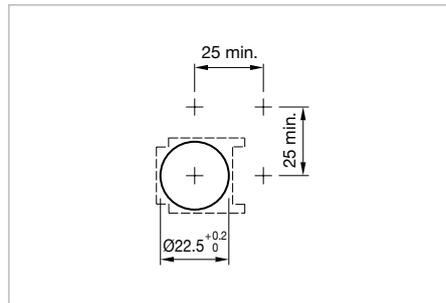
Equipment consisting of (schematic overview)



Dimensions [mm]



Product can differ from the current configuration.



Mounting cut-outs [mm]

Additional Information

- For front dimension $\varnothing 25$ mm
- The standard lock: DOM 311
- Two keys are supplied with each key lock switch
- Optional lock numbers on request
- Pitch of the front plate mounting cut-outs must agree with the printed circuit board holes $\varnothing 3.5$

Each Part Number listed below includes all the black components shown in the 3D-drawing.

To obtain a complete unit, please select the red components from the pages shown.



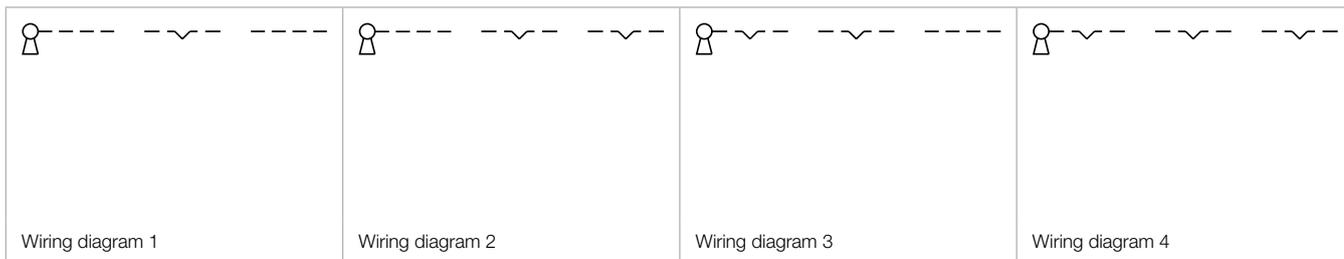
Switching positions (A = Rest, B = Momentary, C = Maintained)

Switching action	Switching angle	Key remove	Part No.	Wiring diagram	Weight
 Keylock switch actuator 3 positions round					
B - A - B	B = 42° / 42°	A	71-631.0/D	1	0.003 kg
B - A - C	B = 90°, C = 42°	A	71-636.0/D	2	0.003 kg
		A + C	71-637.0/D	2	0.003 kg
C - A - B	C = 90°, B = 42°	A	71-638.0/D	3	0.003 kg
		C + A	71-639.0/D	3	0.003 kg
C - A - C	C = 90° / 90°	A	71-632.0/D	4	0.003 kg
		-- C	71-633.0/D	4	0.003 kg
		C + C	71-634.0/D	4	0.003 kg
		C + A + C	71-635.0/D	4	0.003 kg

Switching action: A = Rest, B = Momentary, C = Maintain

71 Flush design

01
02
03
04
10
14
17
18
19
22
31
41
44
51
56
57
61
70
71
82
84
92
95
96
97
99
ST



71 Accessories

Mushroom-head cap

Additional Information

- Non-illuminative

Mushroom-head cap	Part No.	Weight
 Mushroom-head cap, Front dimension Ø 32 mm		
Plastic black	61-9593.0	0.004 kg
Plastic red	61-9593.2	0.004 kg
Plastic yellow	61-9593.4	0.004 kg
Plastic green	61-9593.5	0.004 kg

Marking plate

Additional Information

- Can be hot stamped
- Only applicable with lens round
Part No. 61-9642.X

Marking plate	Part No.	Weight
 Legend plate for lens plastic		
Plastic colourless transparent	61-9707.7	0.001 kg

Keylock front bezel

Product attribute	Dimension	Material	Colour	Part No.	Weight
 Keylock front bezel for keylock switch, flush design					
for device with front dimension 24 x 24 mm	18 x 18 mm	Plastic	black	61-9220.0	0.001 kg
 Keylock front bezel for keylock switch, flush design					
for device with front dimension 24 x 30 mm	18 x 24 mm	Plastic	black	61-9230.0	0.001 kg
 Keylock front bezel for keylock switch, flush design					
fro device with front dimension Ø 25 mm	Ø 18 mm	Plastic	black	61-9210.0	0.001 kg

Front bezel set keylock switch

Additional Information

- The dimensions of the mounting cut-outs are shown in the product details
- Pitch of the front plate mounting cut-outs must agree with the printed circuit board holes Ø 3.5
- For the round front bezel sets the anti-twist ring is part of the sales-package
- The colour of anodized aluminium parts can vary due to technical production reasons

Mounting cut-out	Front bezel	Part No.	Weight
 Front bezel set for keylock switch, flush design, Front dimension 24 x 24 mm			
21 x 21 mm	Plastic black	61-9930.0	0.008 kg
	Plastic silver	61-9930.4	0.008 kg
 Front bezel set for keylock switch, flush design, Front dimension 24 x 30 mm			
21 x 27 mm	Plastic black	61-9931.0	0.008 kg
	Plastic silver	61-9931.4	0.008 kg
 Front bezel set for keylock switch, flush design, Front dimension Ø 25 mm			
Ø 22.5 mm	Aluminium natural anodized	61-9932.0	0.006 kg
	Aluminium black anodized	61-9932.1	0.006 kg
	Aluminium red anodized	61-9932.2	0.006 kg
	Aluminium gold anodized	61-9932.4	0.006 kg
	Aluminium olive-green anodized	61-9932.5	0.006 kg
	Aluminium blue anodized	61-9932.6	0.006 kg
	Plastic black	61-9932.10	0.008 kg

71 Accessories

Spare key

Additional Information

- For standard lock: DOM 311
- Optional lock numbers on request

Part No.	Weight
 Spare key	
31-989.311	0.006 kg

Master key

Additional Information

- For standard lock: DOM 311 ... 445

Part No.	Weight
 Master key	
31-989.300	0.006 kg

EMC key protection cap

Additional Information

- For standard lock: DOM
- Plastic black

Part No.	Weight
 EMC key protection cap	
31-985.0	0.005 kg

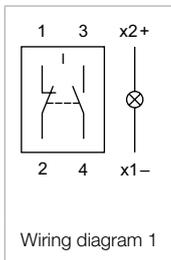
Switching element switch 2 positions

Additional Information

- Including locking pin

Contacts	Terminal	Part No.	Component layout	Wiring diagram	Weight
 <p>Switching element for keylock- and selector switch 2 positions</p>					
1 NC + 1 NO	PCB	71-671.026	1	1	0.005 kg

Contacts: NC = Normally closed, NO = Normally open
The component layouts you will find from page 733



Switching element switch 3 positions

Additional Information

- Including locking pin

Contacts	Terminal	Part No.	Component layout	Wiring diagram	Weight
 <p>Switching element for keylock- and selector switch 3 positions</p>					
2 NC + 2 NO	PCB	71-672.026	1	1	0.005 kg

Contacts: NC = Normally closed, NO = Normally open
The component layouts you will find from page 733

