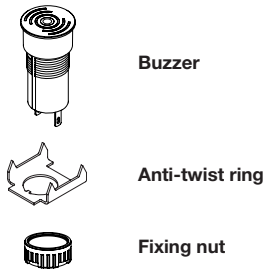
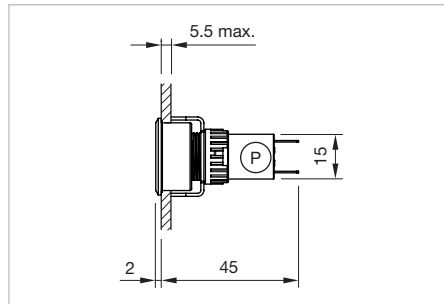


## Buzzer

### Equipment consisting of (schematic overview)



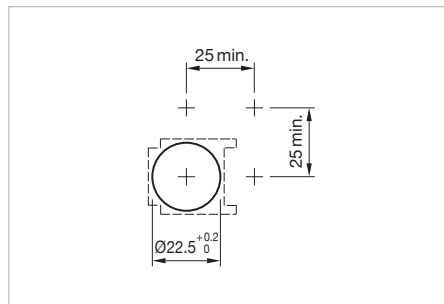
Each Part Number listed below includes all the black components shown in the 3D-drawing.



Dimensions [mm]  
P = Plug-in terminal 2.8 x 0.5 mm




Product can differ from the current configuration.



Mounting cut-outs [mm]

### Additional Information

- Further information see «Technical data»

Front protection	Operating voltage	Front cap	Terminal	Part No.	Wiring diagram	Weight
 <p><b>Buzzer, Front dimension Ø 25 mm</b></p>						
IP 40	10 ... 26 VDC	Plastic black	Plug-in terminal 2.8 x 0.5 mm	<b>61-7000.02</b>	1	0.015 kg
IP 65	10 ... 26 VDC	Plastic black	Plug-in terminal 2.8 x 0.5 mm	<b>61-7100.02</b>	1	0.015 kg

