

56 Front mounting

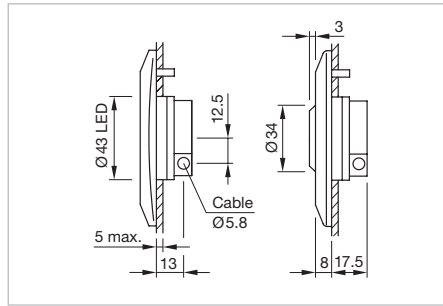
Single side pushbutton



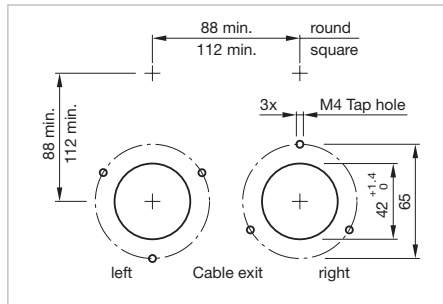
The preview is based on a sample product. This can differ from your current configuration.

Additional Information

- Please fill in the form and forward it to your local EAO partner by e-mail or fax. The electronic form is available at <http://www.eao.com/offer56>

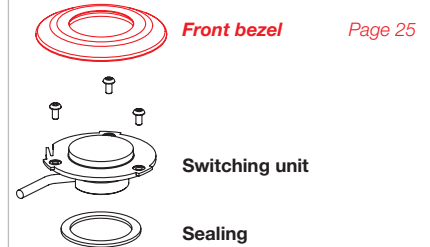


Dimensions [mm]



Mounting cut-outs [mm]













Equipment consisting of



Each part listed below includes all the black components shown in the 3D-drawing.

To obtain a complete unit, please select the red components from the pages shown.

Lens		
<input type="checkbox"/> flush, plastic	<input type="checkbox"/> flush, aluminium	<input type="checkbox"/> raised, aluminium
<input type="checkbox"/> green RAL 6024	<input type="checkbox"/> naturel	<input type="checkbox"/> naturel
<input type="checkbox"/> red RAL 3020	<input type="checkbox"/> green	<input type="checkbox"/> green
<input type="checkbox"/> blue RAL 5017	<input type="checkbox"/> red	<input type="checkbox"/> red
<input type="checkbox"/> yellow RAL 1023	<input type="checkbox"/> blue	<input type="checkbox"/> blue
<input type="checkbox"/> grey RAL 7040	<input type="checkbox"/> yellow	<input type="checkbox"/> yellow
<input type="checkbox"/> black RAL 9017	<input type="checkbox"/> black	<input type="checkbox"/> black
<input type="checkbox"/> orange RAL 2003		

Lens marking						
<input type="checkbox"/> without symbol						
<input type="checkbox"/> with symbol aluminium, raised (milled)						
	<input type="checkbox"/> Symbol-No. 00.835	<input type="checkbox"/> Symbol-No. 00.836	<input type="checkbox"/> Symbol-No. 00.868	<input type="checkbox"/> Symbol-No. 00.869	<input type="checkbox"/> Symbol-No. 40089	<input type="checkbox"/> Symbol-No. 60523
<input type="checkbox"/> with symbol aluminium, flat (engraved/lasered)						
<input type="checkbox"/> with symbol plastic, flat (engraved/lasered)	<input type="checkbox"/> Symbol-No. 00.835	<input type="checkbox"/> Symbol-No. 00.836	<input type="checkbox"/> Symbol-No. 00.868	<input type="checkbox"/> Symbol-No. 00.869	<input type="checkbox"/> Symbol-No. 40089	<input type="checkbox"/> Symbol-No. 60523
Symbol colour	<input type="checkbox"/> black			<input type="checkbox"/> white		

Illumination						
<input type="checkbox"/> without illumination						
<input type="checkbox"/> with illumination	<input type="checkbox"/> 8 green	<input type="checkbox"/> 8 red	<input type="checkbox"/> 8 blue	<input type="checkbox"/> 8 yellow	<input type="checkbox"/> 8 green/2 red	<input type="checkbox"/> 8 red/2 green

Supply voltage illumination				
<input type="checkbox"/> 24 VDC	<input type="checkbox"/> 36 VDC	<input type="checkbox"/> 48 VDC	<input type="checkbox"/> 72 VDC	<input type="checkbox"/> 110 VDC

Tolerance +25% ... -30%

Cable exit

 cable exit right

 cable exit left

Cable length

 A = 200mm

 A = 500mm

 A = 1000mm

 A = 1500mm

 _____ mm

Cable and Connector type

Cable

 2x0.5mm² (Wiring diagram 5)

 4x0.5mm² (Wiring diagram 1, 2, 3, 4)

Connector

 core end-sleeves

 AMP Connector Mate-N-Lok (Wiring diagram 3, 4)

 DEUTSCH connector (Wiring diagram 3, 4)

 AMP Connector 2.8x0.8 (Wiring diagram 1, 2)

 AMP Connector 6.3x0.8 (Wiring diagram 3, 4)

Housing

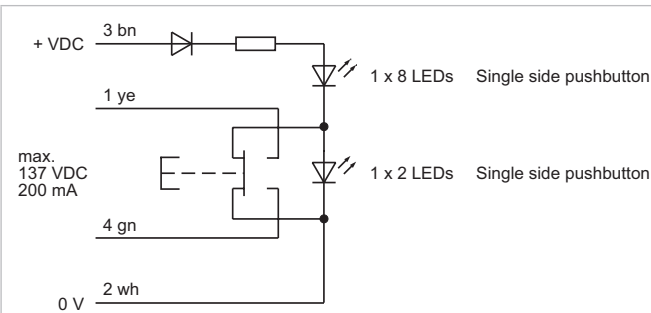
 housing D73 (standard)

 housing reworked 50x50mm

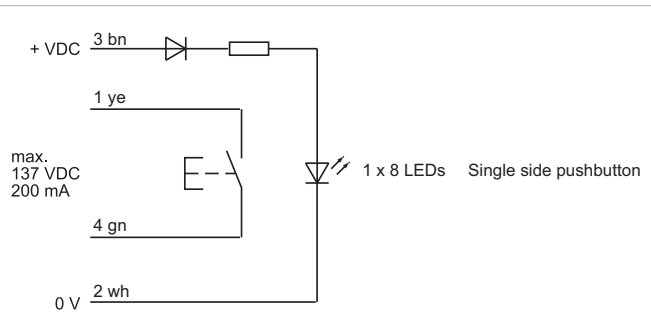
 housing reworked 68.5x50mm

The drawings you will find from page 36

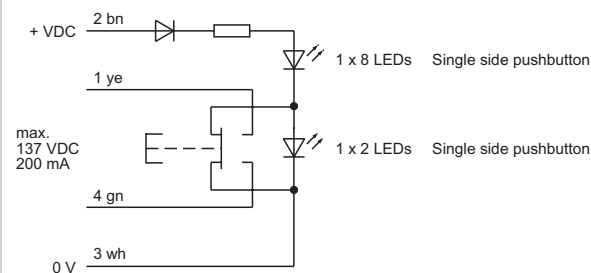
The component layouts No. 2 and 3 you will find from page 36



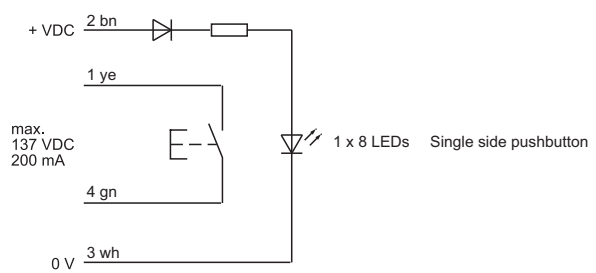
Wiring diagram 1



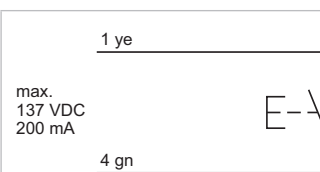
Wiring diagram 2



Wiring diagram 3



Wiring diagram 4



Wiring diagram 5