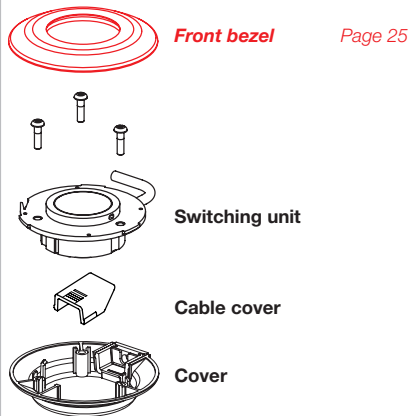


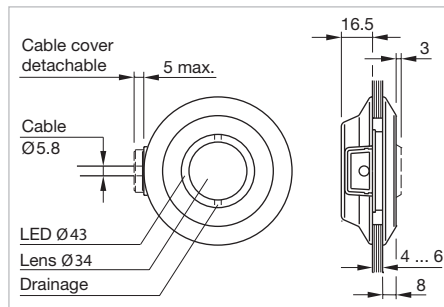
## Single side pushbutton

### Equipment consisting of

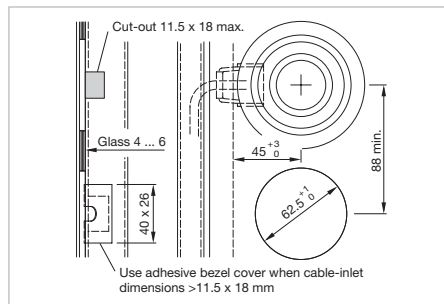


Each part listed below includes all the black components shown in the 3D-drawing.

To obtain a complete unit, please select the red components from the pages shown.



Dimensions [mm]



Mounting cut-outs [mm]



The preview is based on a sample product. This can differ from your current configuration.













### Additional Information

- Front bezel Ø 87 mm
- Cable exit left
- Housing D73 (standard)
- Other cable cover are available
- Please fill in the form and forward it to your local EAO partner by e-mail or fax. The electronic form is available at <http://www.eao.com/offer56>

### Lens

<input type="checkbox"/> flush, plastic	<input type="checkbox"/> flush, aluminium	<input type="checkbox"/> raised, aluminium
<input type="checkbox"/> green RAL 6024	<input type="checkbox"/> naturel	<input type="checkbox"/> naturel
<input type="checkbox"/> red RAL 3020	<input type="checkbox"/> green	<input type="checkbox"/> green
<input type="checkbox"/> blue RAL 5017	<input type="checkbox"/> red	<input type="checkbox"/> red
<input type="checkbox"/> yellow RAL 1023	<input type="checkbox"/> blue	<input type="checkbox"/> blue
<input type="checkbox"/> light-grey RAL 7040	<input type="checkbox"/> yellow	<input type="checkbox"/> yellow
<input type="checkbox"/> black RAL 9017	<input type="checkbox"/> black	<input type="checkbox"/> black
<input type="checkbox"/> orange RAL 2003		

### Lens marking

<input type="checkbox"/> without symbol						
<input type="checkbox"/> with symbol aluminium, raised (milled)						
	<input type="checkbox"/> Symbol-No. 00.835	<input type="checkbox"/> Symbol-No. 00.836	<input type="checkbox"/> Symbol-No. 00.868	<input type="checkbox"/> Symbol-No. 00.869	<input type="checkbox"/> Symbol-No. 40089	<input type="checkbox"/> Symbol-No. 60523
<input type="checkbox"/> with symbol aluminium, flat (engraved/lasered)						
<input type="checkbox"/> with symbol plastic, flat (engraved/lasered)	<input type="checkbox"/> Symbol-No. 00.835	<input type="checkbox"/> Symbol-No. 00.836	<input type="checkbox"/> Symbol-No. 00.868	<input type="checkbox"/> Symbol-No. 00.869	<input type="checkbox"/> Symbol-No. 40089	<input type="checkbox"/> Symbol-No. 60523
Symbol colour	<input type="checkbox"/> black		<input type="checkbox"/> white			

### Illumination

<input type="checkbox"/> without illumination						
<input type="checkbox"/> with illumination	<input type="checkbox"/> 8 green	<input type="checkbox"/> 8 red	<input type="checkbox"/> 8 blue	<input type="checkbox"/> 8 yellow	<input type="checkbox"/> 8 green/2 red	<input type="checkbox"/> 8 red/2 green

### Supply voltage

<input type="checkbox"/> 24 VDC	<input type="checkbox"/> 36 VDC	<input type="checkbox"/> 48 VDC	<input type="checkbox"/> 72 VDC	<input type="checkbox"/> 110 VDC
---------------------------------	---------------------------------	---------------------------------	---------------------------------	----------------------------------

Tolerance +25% ... -30%

# 56 Glass mounting

## Cable length

- A = 200mm    
  A = 500mm    
  A = 1000mm    
  A = 1500mm    
  \_\_\_\_\_ mm

## Cable + Connector type

Cable	Connector
<input type="checkbox"/> 2x0.5 mm <sup>2</sup> (without illumination, wiring diagram 5)	<input type="checkbox"/> core end-sleeves
<input type="checkbox"/> 4x0.5 mm <sup>2</sup> (Wiring diagram 1, 2, 3, 4)	<input type="checkbox"/> AMP Connector Mate-N-Lok (Wiring diagram 3, 4)
	<input type="checkbox"/> DEUTSCH connector (Wiring diagram 3, 4)
	<input type="checkbox"/> AMP Connector 2.8x0.8 (Wiring diagram 1, 2)
	<input type="checkbox"/> AMP Connector 6.3x0.8 (Wiring diagram 3, 4)

The component layouts No. 2 and 3 you will find from page 36

