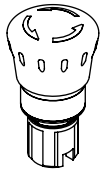
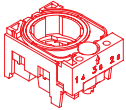


Stop switch actuator, foolproof, IP66, IP67, IP69K

Equipment consisting of (schematic overview)

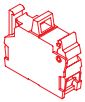


Actuator



Holder

Page 111

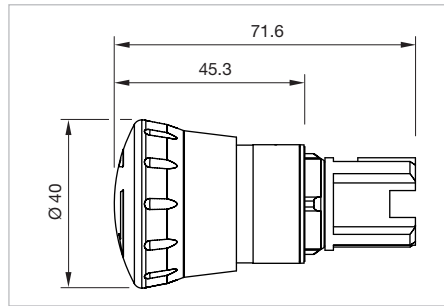


Switching element

Page 112

Each Part Number listed below includes all the black components shown in the 3D-drawing.

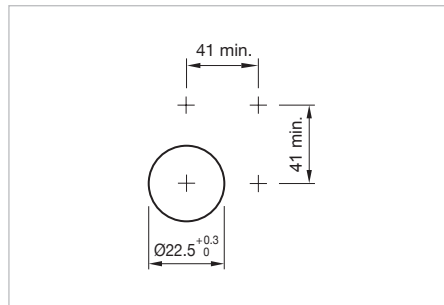
To obtain a complete unit, please select the red components from the pages shown.




Dimensions [mm]



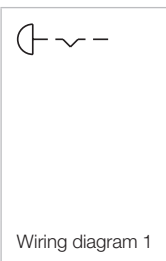
Product can differ from the current configuration.



Mounting cut-outs [mm]

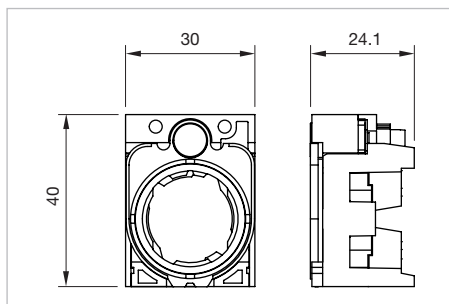
Product attribute	Front ring	Lens	Housing material	Switching action	Part No.	Wiring diagram	Weight
							
Stop switch actuator, foolproof, Front dimension Ø 40 mm							
twist to release	Plastic black	Plastic black	Plastic	C	45-2736.1910.000	1	0.036 kg

Switching action: C = Maintain





Rear side

Holder for 3 elements

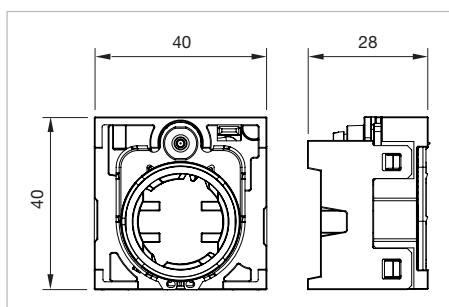


Dimensions [mm]


Material	Part No.	Component layout	Weight
 <p>Holder for 3 switching elements</p>			
Plastic	45-2300.1000.000	2	0.028 kg
 <p>Holder for 3 switching elements</p>			
Metal	45-2300.2000.000	2	0.046 kg

The component layouts you will find from Page 116


Holder for 4 elements



Dimensions [mm]

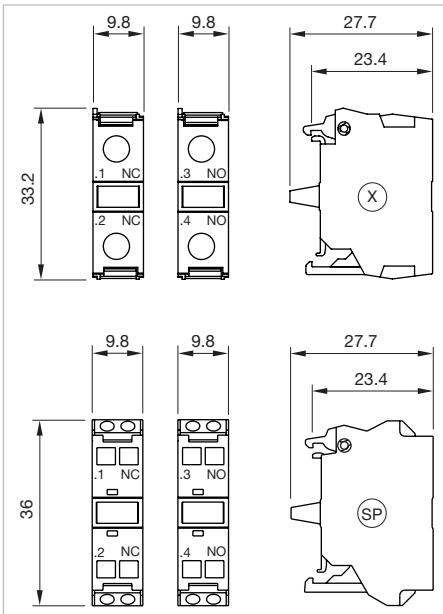
Material	Part No.	Component layout	Weight
 <p>Holder for 4 switching elements</p>			
Plastic	45-2400.1000.000	3	0.028 kg

45 Accessories

Material	Part No.	Component layout	Weight
 <p>Holder for 4 switching elements</p>			
Metal	45-2400.2000.000	3	0.046 kg



The component layouts you will find from Page 116

Switching element front mounting



Dimensions [mm]

X = Screw terminal, SP = Spring-type terminal

Switching current	Contacts	Contact material	Terminal	Part No.	Wiring diagram	Weight
 <p>Switching element</p>						
10 A	1 NO	Silver	Screw	45-311.1Z10	1	0.010 kg
10 A	1 NC	Silver	Screw	45-312.1Z10	2	0.010 kg
 <p>Switching element</p>						
10 A	1 NO	Silver	Spring-type terminal	45-311.1Z40	1	0.010 kg
10 A	1 NC	Silver	Spring-type terminal	45-312.1Z40	2	0.010 kg

Stop switch actuator

Material

Actuator element

Plastic red

Actuator housing

Plastic or metal

Mechanical characteristics

Type of unlocking device

Twist to release

Operating frequency

max. 600/h

Mechanical lifetime

300 000 switching cycles

Vibration resistance

according to IEC 60068-2-6
2 ... 500 Hz: 5 g

Shock resistance

according to IEC 60068-2-27
Sinusoidal half-wave 50 g /11 ms

Environmental conditions

Operating temperature

-25 °C ... +70 °C

Storage temperature

-40 °C ... +80 °C

Protection degree

IP66, IP67, IP69K

Environmental category

during operation according to IEC 60721:
3K6, 3C3,3S2, 3M6

Mushroom-head pushbutton actuator

Material

Actuator element

Plastic

Actuator housing

Plastic or metal

Mechanical characteristics

Type of unlocking device

Pull release

Operating frequency

- Momentary max. 3 600/h
- Maintain max. 1 800/h

Mechanical lifetime

- Momentary 10 000 000 switching cycles
- Maintain 500 000 switching cycles

Vibration resistance

according to IEC 60068-2-6
20 ... 500 Hz: 5 g

Shock resistance

according to IEC 60068-2-27
Sinusoidal half-wave 50 g /11 ms

Environmental conditions

Operating temperature

-25 °C ... +70 °C

Storage temperature

-40 °C ... +80 °C

Protection degree

IP66, IP67, IP69K

Environmental category

during operation according to IEC 60721:
3K6, 3C3,3S2, 3M6