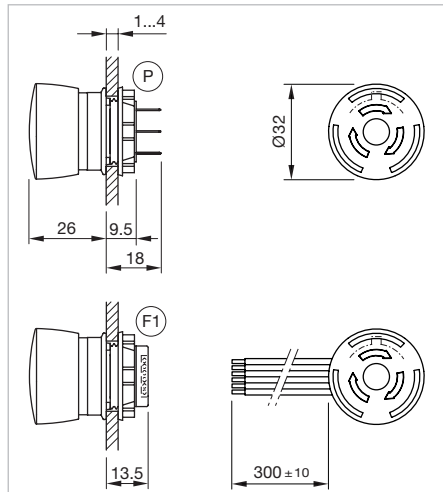


84 Raised design

Stop switch complete grey, IP 65



Product can differ from the current configuration.



Dimensions [mm]
 F1 = Flat ribbon cable,
 P = Plug-in terminal 2.8 x 0.5 mm

Equipment consisting of (schematic overview)



Actuator

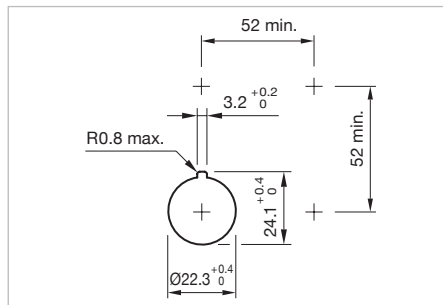


Fixing nut


Each Part Number listed below includes all the black components shown in the 3D-drawing.


Additional Information

- Lens plastic grey
- Switching action maintain
- Position indication ring black
- Twist to unlock clockwise
- Standard version: Flat ribbon-cable length 300 mm or plug-in terminal 2.8 x 0.5 mm
- Other options on request: Customisation of flat ribbon-cable and connectors
- Luminosity and wave length scattering caused by LED manufacturing processes may cause slight variations in the illumination



Mounting cut-outs [mm]

LED colour	Contacts	Terminal	Part No.	Component layout	Wiring diagram	Weight	
 <p>Stop switch complete grey, Front dimension Ø 32 mm</p>	1 NC	Flat ribbon cable	84-6820.0040	1	1	0.036 kg	
	1 NC + 1 NO	Flat ribbon cable	84-6830.0040	1	2	0.036 kg	
	2 NC	Flat ribbon cable	84-6840.0040	1	3	0.036 kg	
	Single-LED red	1 NC	Flat ribbon cable	84-6821.2B40	1	4	0.036 kg
	1 NC + 1 NO	Flat ribbon cable	84-6831.2B40	1	5	0.036 kg	
	2 NC	Flat ribbon cable	84-6841.2B40	1	6	0.036 kg	

LED colour	Contacts	Terminal	Part No.	Component layout	Wiring diagram	Weight
 <p>Stop switch complete grey, Front dimension Ø 32 mm</p>						
Single-LED red	1 NC	Plug 2.8 x 0.5 mm	84-6820.0020	2	1	0.028 kg
	1 NC + 1 NO	Plug 2.8 x 0.5 mm	84-6830.0020	2	2	0.028 kg
	2 NC	Plug 2.8 x 0.5 mm	84-6840.0020	2	3	0.028 kg
	1 NC	Plug 2.8 x 0.5 mm	84-6821.2B20	2	4	0.028 kg
	1 NC + 1 NO	Plug 2.8 x 0.5 mm	84-6831.2B20	2	5	0.028 kg
	2 NC	Plug 2.8 x 0.5 mm	84-6841.2B20	2	6	0.028 kg

Contacts: NC = Normally closed, NO = Normally open
 The component layouts you will find from page 49

