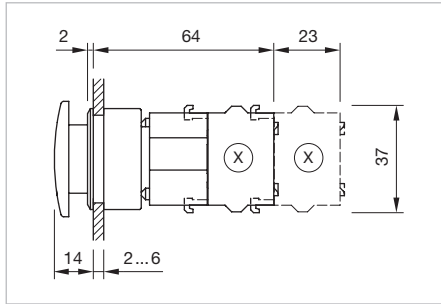


04 Flush design

Mushroom-head pushbutton, IP 65



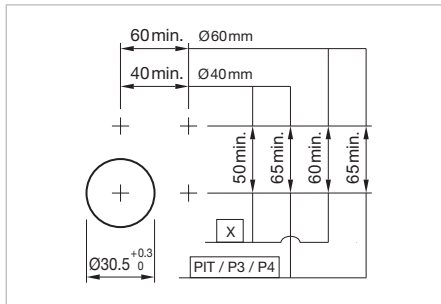
Product can differ from the current configuration.



Dimensions [mm]
X = Screw terminal

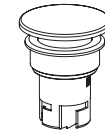
Additional Information

- Other terminal options from the part switching element see «Accessories»
- Max. 3 switching elements can be clipped on
- The colour of anodized aluminium parts can vary due to technical production reasons



Mounting cut-outs [mm]
PIT = Push-in terminal,
P3 = Plug-in terminal 6.3 x 0.8 mm,
P4 = Double plug-in terminal 6.3 x 0.8 mm,
X = Screw terminal

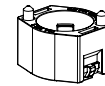
Equipment consisting of (schematic overview)



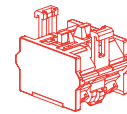
Actuator



Pressure ring



Bayonet flange





Switching element

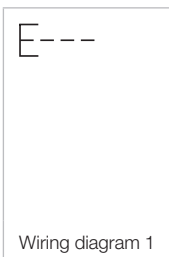
page 139

Each Part Number listed below includes all the black components shown in the 3D-drawing.

To obtain a complete unit, please select the red components from the pages shown.

Front ring	Lens	Switching action	Part No.	Wiring diagram	Weight
 <p>Mushroom-head pushbutton actuator, Front dimension Ø 40 mm</p>					
Aluminium natural anodized	Plastic red	B	704.071.218	1	0.041 kg
	Plastic yellow	B	704.071.418	1	0.041 kg
Aluminium black anodized	Plastic red	B	704.071.210	1	0.041 kg
	Plastic yellow	B	704.071.410	1	0.041 kg
 <p>Mushroom-head pushbutton actuator, Front dimension Ø 60 mm</p>					
Aluminium natural anodized	Aluminium red anodized	B	704.079.2F	1	0.069 kg

Switching action : B = Momentary



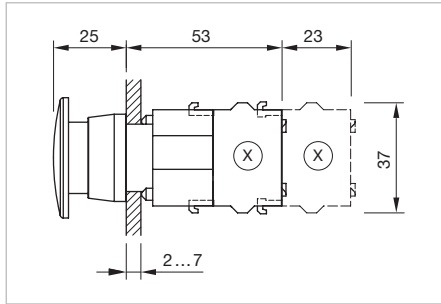
Wiring diagram 1

04 Raised design

Mushroom-head pushbutton, IP 65

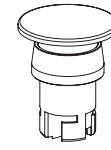


Product can differ from the current configuration.

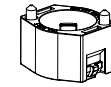


Dimensions [mm]
X = Screw terminal

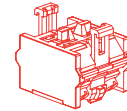
Equipment consisting of (schematic overview)



Actuator



Bayonet flange

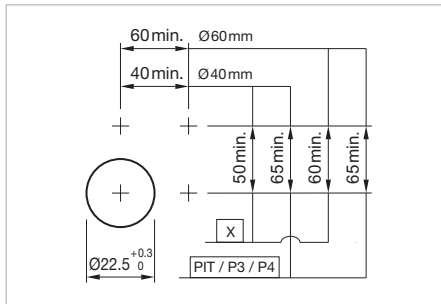


Switching element

page 139

Additional Information


- Other terminal options from the part switching element see «Accessories»
- The colour of anodized aluminium parts can vary due to technical production reasons
- Max. 3 switching elements can be clipped on




Mounting cut-outs [mm]
PIT = Push-in terminal,
P3 = Plug-in terminal 6.3 x 0.8 mm,
P4 = Double plug-in terminal 6.3 x 0.8 mm,
X = Screw terminal

Each Part Number listed below includes all the black components shown in the 3D-drawing.

To obtain a complete unit, please select the red components from the pages shown.

Front ring	Lens	Switching action	Part No.	Wiring diagram	Weight
 <p>Mushroom-head pushbutton actuator, Front dimension Ø 40 mm</p>					
Plastic grey	Plastic black	B	704.070.0	1	0.044 kg
	Plastic red	B	704.070.2	1	0.044 kg
	Plastic yellow	B	704.070.4	1	0.044 kg
	Plastic green	B	704.070.5	1	0.044 kg
Aluminium natural anodized	Plastic black	B	704.071.0	1	0.044 kg
	Plastic red	B	704.071.2	1	0.044 kg
	Plastic yellow	B	704.071.4	1	0.044 kg
	Plastic green	B	704.071.5	1	0.044 kg
Plastic grey	Plastic black	C	704.072.0	2	0.044 kg
	Plastic red	C	704.072.2	2	0.044 kg
Aluminium natural anodized	Plastic black	C	704.073.0	2	0.044 kg
	Plastic red	C	704.073.2	2	0.044 kg
	Plastic yellow	C	704.073.4	2	0.044 kg
	Plastic green	C	704.073.5	2	0.044 kg

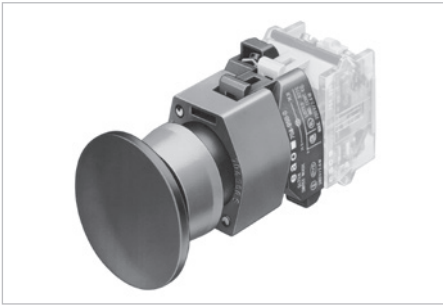
Front ring	Lens	Switching action	Part No.	Wiring diagram	Weight
 <p>Mushroom-head pushbutton actuator, Front dimension Ø 60 mm</p>					
Aluminium natural anodized	Aluminium red anodized	B	704.079.2	1	0.060 kg
		C	704.075.2I	2	0.069 kg

Switching action : B = Momentary, C = Maintain

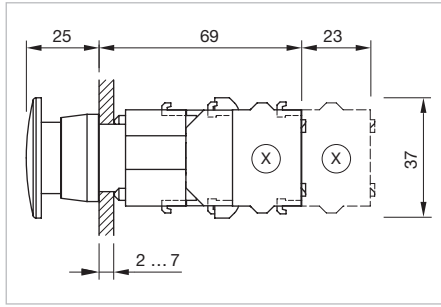
E---	E~--
Wiring diagram 1	Wiring diagram 2

04 Raised design

Illuminated mushroom head pushbutton, IP 65



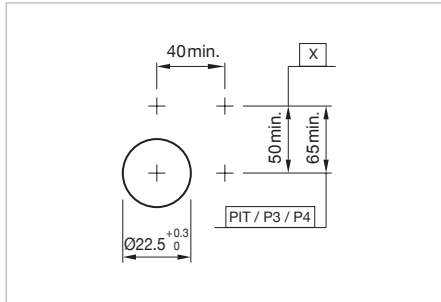
Product can differ from the current configuration.



Dimensions [mm]
X = Screw terminal

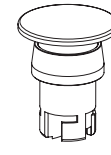
Additional Information

- The lamp block will be delivered with screw terminal
- Other terminal options from the part switching element see «Accessories»
- Max. 3 switching elements can be clipped on

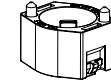


Mounting cut-outs [mm]
PIT = Push-in terminal,
P3 = Plug-in terminal 6.3 x 0.8 mm,
P4 = Double plug-in terminal 6.3 x 0.8 mm,
X = Screw terminal

Equipment consisting of (schematic overview)



Actuator

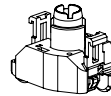


Bayonet flange

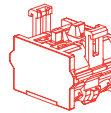


LED

page 151



Lamp block




Switching element

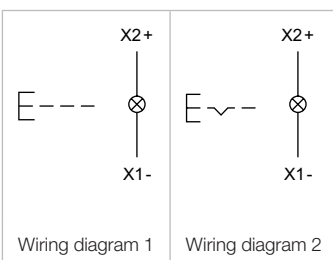
page 139

Each Part Number listed below includes all the black components shown in the 3D-drawing.

To obtain a complete unit, please select the red components from the pages shown.

Front ring	Lens	Switching action	Part No.	Wiring diagram	Weight
 Mushroom-head pushbutton actuator illuminated, Front dimension \varnothing 40 mm					
Plastic grey	Plastic red	B	704.084.2	1	0.044 kg
	Plastic yellow	B	704.084.4	1	0.044 kg
	Plastic green	B	704.084.5	1	0.044 kg
	Plastic blue	B	704.084.6	1	0.044 kg
	Plastic colourless	B	704.084.7	1	0.044 kg
	Plastic red	C	704.086.2	2	0.044 kg
	Plastic yellow	C	704.086.4	2	0.044 kg
	Plastic green	C	704.086.5	2	0.044 kg

Switching action : B = Momentary, C = Maintain

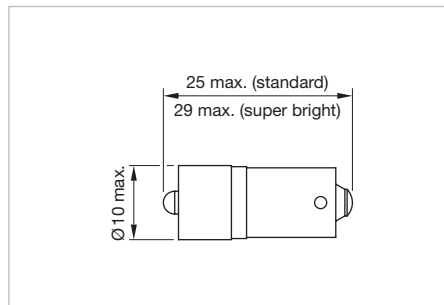


Illumination


LED, BA9s

Additional Information

- The specified 6 VDC, 24 VDC Bi-colour; 130 VAC, 130 DC und 230 VAC versions are built with a protection diode
- The specified 12, 24, 28, 48 VAC/DC versions are built with a bridge rectifier
- The specified 130 VAC types are developed to run on a supply voltage of 130 VAC only. An operation at a higher supply voltage using commercial lampholders with integrated resistors, is not approved
- If the 24VDC Bi-colour lamp is driven with normal polarity (plus on middle contact of the lamp) the first mentioned colour will light up, with inverted polarity the second colour will light up
- Luminous intensity data of the LEDs on direct voltage
- Electrical and optical data are measured at 25 °C
- Luminosity and wave length variations caused by LED manufacturing processes may cause slight differences regarding the illumination



Dimensions [mm]

LED colour	Operating voltage	Operation current	Lumi. intensity	Dom. wavelength	Part No.	Weight
 <p>Single-LED</p>						
Single-LED red	6 VDC +10 %	17 mA ±15 %	400 mcd	630 nm	10-2506.1082	0.002 kg
	12 VAC/DC +10 %	16 mA ±15 %	390 mcd	630 nm	10-2509.1142	0.002 kg
	24 VAC/DC +10 %	15 mA ±15 %	350 mcd	630 nm	10-2512.1142	0.002 kg
	28 VAC/DC +10 %	13 mA ±15 %	300 mcd	630 nm	10-2513.1142	0.002 kg
	48 VAC/DC +10 %	8 mA ±15 %	200 mcd	630 nm	10-2519.1052	0.002 kg
	130 VDC +10 %	3 mA ±15 %	120 mcd	630 nm	10-2524.3042	0.002 kg
	130 VAC +10 %	5 mA ±15 %	180 mcd	630 nm	10-2H24.2052	0.002 kg
	230 VAC +10 %	3 mA ±15 %	120 mcd	630 nm	10-2H25.2042	0.002 kg
Single-LED yellow	6 VDC +10 %	17 mA ±15 %	340 mcd	587 nm	10-2506.1084	0.002 kg
	12 VAC/DC +10 %	16 mA ±15 %	340 mcd	587 nm	10-2509.1144	0.002 kg
	24 VAC/DC +10 %	15 mA ±15 %	300 mcd	587 nm	10-2512.1144	0.002 kg
	28 VAC/DC +10 %	13 mA ±15 %	270 mcd	587 nm	10-2513.1144	0.002 kg
	48 VAC/DC +10 %	8 mA ±15 %	180 mcd	587 nm	10-2519.1054	0.002 kg
	130 VDC +10 %	3 mA ±15 %	110 mcd	587 nm	10-2524.3044	0.002 kg
	130 VAC +10 %	5 mA ±15 %	160 mcd	587 nm	10-2H24.2054	0.002 kg
	230 VAC +10 %	3 mA ±15 %	110 mcd	587 nm	10-2H25.2044	0.002 kg
Single-LED green	6 VDC +10 %	7 mA ±15 %	1050 mcd	525 nm	10-2506.1085	0.002 kg
	12 VAC/DC +10 %	7 mA ±15 %	1050 mcd	525 nm	10-2509.1145	0.002 kg
	24 VAC/DC +10 %	7 mA ±15 %	1050 mcd	525 nm	10-2512.1145	0.002 kg
	28 VAC/DC +10 %	7 mA ±15 %	1050 mcd	525 nm	10-2513.1145	0.002 kg
	48 VAC/DC +10 %	4 mA ±15 %	600 mcd	525 nm	10-2519.1055	0.002 kg
	130 VDC +10 %	2 mA ±15 %	300 mcd	525 nm	10-2524.3045	0.002 kg
	130 VAC +10 %	3 mA ±15 %	450 mcd	525 nm	10-2H24.2055	0.002 kg
	230 VAC +10 %	2 mA ±15 %	300 mcd	525 nm	10-2H25.2045	0.002 kg


04 Accessories

LED colour	Operating voltage	Operation current	Lumi. intensity	Dom. wavelength	Part No.	Weight
Single-LED blue	6 VDC +10 %	17 mA ±15 %	780 mcd	470 nm	10-2506.1086	0.002 kg
	12 VAC/DC +10 %	16 mA ±15 %	720 mcd	470 nm	10-2509.1146	0.002 kg
	24 VAC/DC +10 %	15 mA ±15 %	680 mcd	470 nm	10-2512.1146	0.002 kg
	28 VAC/DC +10 %	13 mA ±15 %	590 mcd	470 nm	10-2513.1146	0.002 kg
	48 VAC/DC +10 %	8 mA ±15 %	400 mcd	470 nm	10-2519.1056	0.002 kg
	130 VDC +10 %	3 mA ±15 %	200 mcd	470 nm	10-2524.3046	0.002 kg
	130 VAC +10 %	5 mA ±15 %	230 mcd	470 nm	10-2H24.2056	0.002 kg
	230 VAC +10 %	3 mA ±15 %	200 mcd	470 nm	10-2H25.2046	0.002 kg
Single-LED white	6 VDC +10 %	17 mA ±15 %	850 mcd	x0.31/y0.32 nm	10-2506.1089	0.002 kg
	12 VAC/DC +10 %	16 mA ±15 %	800 mcd	x0.31/y0.32 nm	10-2509.1149	0.002 kg
	24 VAC/DC +10 %	15 mA ±15 %	750 mcd	x0.31/y0.32 nm	10-2512.1149	0.002 kg
	28 VAC/DC +10 %	13 mA ±15 %	650 mcd	x0.31/y0.32 nm	10-2513.1149	0.002 kg
	48 VAC/DC +10 %	8 mA ±15 %	400 mcd	x0.31/y0.32 nm	10-2519.1059	0.002 kg
	130 VDC +10 %	3 mA ±15 %	150 mcd	x0.31/y0.32 nm	10-2524.3049	0.002 kg
	130 VAC +10 %	5 mA ±15 %	250 mcd	x0.31/y0.32 nm	10-2H24.2059	0.002 kg
	230 VAC +10 %	3 mA ±15 %	150 mcd	x0.31/y0.32 nm	10-2H25.2049	0.002 kg
 <p>Single-LED super bright</p>						
Single-LED red	28 VAC/DC +10 %	14 mA ±15 %	7700 mcd	630 nm	10-2413.1132R	0.002 kg
Single-LED green	28 VAC/DC +10 %	13 mA ±15 %	12400 mcd	525 nm	10-2413.1125R	0.002 kg
Single-LED yellow	28 VAC/DC +10 %	14 mA ±15 %	4200 mcd	589 nm	10-2413.1134R	0.002 kg
 <p>Bi-colour LED</p>						
Bi-colour LED red/green	24 VDC +10 %	15 mA ±15 %	1200/900 mcd	625/525 nm	10-2H12.314A	0.002 kg
Bi-colour LED red/yellow	24 VDC +10 %	15 mA ±15 %	1200/550 mcd	625/589 nm	10-2H12.314B	0.002 kg
Bi-colour LED yellow/green	24 VDC +10 %	15 mA ±15 %	900/550 mcd	525/589 nm	10-2H12.314C	0.002 kg

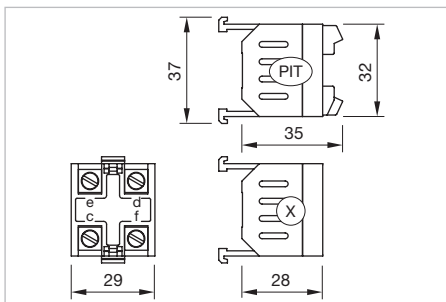
Filament lamp, BA9s

Additional Information


- The max. overall length of the lamp may not exceed 28 mm

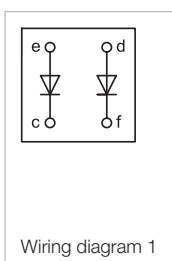
Operating voltage	Operation current	Part No.	Weight
 <p>Filament lamp</p>			
6 VAC/DC	200 mA±10 %	10-1406.1369	0.002 kg
12 VAC/DC	100 mA±10 %	10-1409.1329	0.002 kg
24 VAC/DC	50 mA±10 %	10-1412.1279	0.002 kg
36 VAC/DC	56 mA±10 %	10-1416.1289	0.002 kg
48 VAC/DC	42 mA±10 %	10-1419.1249	0.002 kg
60 VAC/DC	33 mA±10 %	10-1420.1219	0.002 kg
110 VAC/DC	22 mA±10 %	10-1422.1179	0.002 kg
130 VAC/DC	20 mA±10 %	10-1424.1179	0.002 kg

Diode block









Dimensions [mm]
 PIT = Push-in terminal,
 X = Screw terminal

Diode 1N4007	Terminal	Part No.	Wiring diagram	Weight
				
2	Push-in Terminal	704.942.5P	1	0.016 kg
	Screw	704.942.5	1	0.019 kg

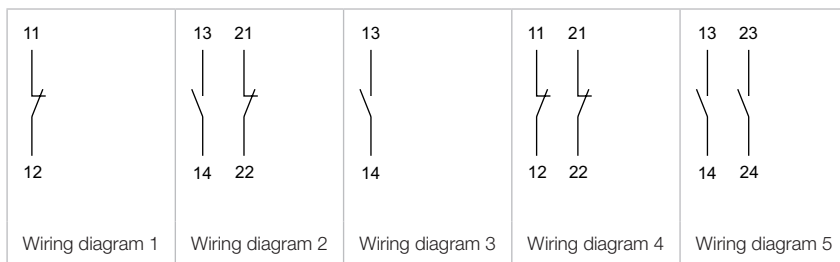


04 Accessories

Switching voltage	Switching current	Switching system	Contacts	Contact material	Terminal	Part No.	Wiring diagram	Weight
 <p>Switching element</p>								
500 VAC	6 A	Snap-action switching element	1 NO	Silver	Plug 6.3 x 0.8 mm	704.905.1	3	0.021 kg
			1 NC	Silver	Plug 6.3 x 0.8 mm	704.905.2	1	0.021 kg
			2 NO	Silver	Plug 6.3 x 0.8 mm	704.905.3	5	0.028 kg
			2 NC	Silver	Plug 6.3 x 0.8 mm	704.905.4	4	0.028 kg
			1 NC + 1 NO	Silver	Plug 6.3 x 0.8 mm	704.905.5	2	0.028 kg
 <p>Switching element</p>								
500 VAC	6 A	Slow-make switching element	1 NO	Silver	Plug 6.3 x 0.8 mm	704.915.1	3	0.021 kg
			1 NC	Silver	Plug 6.3 x 0.8 mm	704.915.2	1	0.021 kg
			2 NO	Silver	Plug 6.3 x 0.8 mm	704.915.3	5	0.028 kg
			2 NC	Silver	Plug 6.3 x 0.8 mm	704.915.4	4	0.028 kg
			1 NC + 1 NO	Silver	Plug 6.3 x 0.8 mm	704.915.5	2	0.028 kg
 <p>Switching element</p>								
500 VAC	6 A	Snap-action switching element	1 NO	Gold	Double plug 6.3 x 0.8 mm	704.901.1/D	3	0.026 kg
			1 NC	Gold	Double plug 6.3 x 0.8 mm	704.901.2/D	1	0.026 kg
			2 NO	Gold	Double plug 6.3 x 0.8 mm	704.901.3/D	5	0.033 kg
			2 NC	Gold	Double plug 6.3 x 0.8 mm	704.901.4/D	4	0.033 kg
			1 NC + 1 NO	Gold	Double plug 6.3 x 0.8 mm	704.901.5/D	2	0.033 kg
			1 NO	Silver	Double plug 6.3 x 0.8 mm	704.905.1/D	3	0.026 kg
			1 NC	Silver	Double plug 6.3 x 0.8 mm	704.905.2/D	1	0.026 kg
			2 NO	Silver	Double plug 6.3 x 0.8 mm	704.905.3/D	5	0.033 kg
			2 NC	Silver	Double plug 6.3 x 0.8 mm	704.905.4/D	4	0.033 kg
			1 NC + 1 NO	Silver	Double plug 6.3 x 0.8 mm	704.905.5/D	2	0.033 kg
 <p>Switching element</p>								
500 VAC	6 A	Slow-make switching element	1 NO	Silver	Double plug 6.3 x 0.8 mm	704.915.1/D	3	0.025 kg
			1 NC	Silver	Double plug 6.3 x 0.8 mm	704.915.2/D	1	0.025 kg
			2 NO	Silver	Double plug 6.3 x 0.8 mm	704.915.3/D	5	0.032 kg
			2 NC	Silver	Double plug 6.3 x 0.8 mm	704.915.4/D	4	0.032 kg
			1 NC + 1 NO	Silver	Double plug 6.3 x 0.8 mm	704.915.5/D	2	0.032 kg

Switching voltage	Switching current	Switching system	Contacts	Contact material	Terminal	Part No.	Wiring diagram	Weight
 <p>Switching element</p>								
500 VAC	10 A	Snap-action switching element	1 NO	Gold	Screw	704.901.1	3	0.021 kg
			1 NC	Gold	Screw	704.901.2	1	0.021 kg
			2 NO	Gold	Screw	704.901.3	5	0.028 kg
			2 NC	Gold	Screw	704.901.4	4	0.028 kg
			1 NC + 1 NO	Gold	Screw	704.901.5	2	0.028 kg
			1 NO	Silver	Screw	704.900.1	3	0.021 kg
			1 NC	Silver	Screw	704.900.2	1	0.021 kg
			2 NO	Silver	Screw	704.900.3	5	0.028 kg
			2 NC	Silver	Screw	704.900.4	4	0.028 kg
			1 NC + 1 NO	Silver	Screw	704.900.5	2	0.028 kg
			1 NO	Palladium	Screw	704.902.1	3	0.021 kg
			1 NC	Palladium	Screw	704.902.2	1	0.021 kg
			2 NO	Palladium	Screw	704.902.3	5	0.028 kg
			2 NC	Palladium	Screw	704.902.4	4	0.028 kg
			1 NC + 1 NO	Palladium	Screw	704.902.5	2	0.028 kg
 <p>Switching element</p>								
500 VAC	10 A	Slow-make switching element	1 NO	Gold	Screw	704.911.1	3	0.021 kg
			1 NC	Gold	Screw	704.911.2	1	0.021 kg
			2 NO	Gold	Screw	704.911.3	5	0.028 kg
			2 NC	Gold	Screw	704.911.4	4	0.028 kg
			1 NC + 1 NO	Gold	Screw	704.911.5	2	0.028 kg
			1 NO	Silver	Screw	704.910.1	3	0.021 kg
			1 NC	Silver	Screw	704.910.2	1	0.021 kg
			2 NO	Silver	Screw	704.910.3	5	0.028 kg
			2 NC	Silver	Screw	704.910.4	4	0.028 kg
			1 NC + 1 NO	Silver	Screw	704.910.5	2	0.028 kg
			1 NO	Palladium	Screw	704.912.1	3	0.021 kg
			1 NC	Palladium	Screw	704.912.2	1	0.021 kg
			2 NO	Palladium	Screw	704.912.3	5	0.028 kg
			2 NC	Palladium	Screw	704.912.4	4	0.028 kg
			1 NC + 1 NO	Palladium	Screw	704.912.5	2	0.028 kg

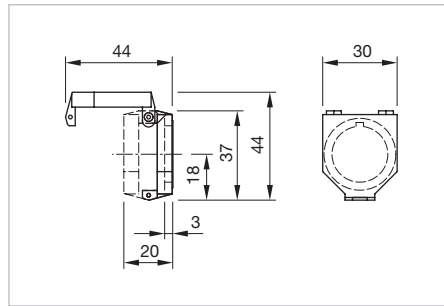
Contacts: NC = Normally closed, NO = Normally open





Protective cover raised design, IP 65

Additional Information

- Hinged, with means for sealing
- Protective cover Part-No. only for selector switch in basic position A applicable
- Front panel thickness reduces by 3 mm
- The dimensions of the mounting cut-outs are shown in the product details
- Please note that bigger minimum distances are necessary




Dimensions [mm]

Product attribute	Dimension	Material	Optics	Part No.	Weight
 <p>Protection cover round, raised design</p>					
for pushbutton with mounting cut-out Ø 22.5 mm	30 x 37 mm	Plastic	transparent	704.925.0	0.007 kg
with spring fitted, for pushbutton with mounting cut-out Ø 22.5 mm	30 x 37 mm	Plastic	transparent	704.925.3	0.007 kg
 <p>Protection cover round, raised design</p>					
for selector switch	Ø 22.5 mm	Plastic	transparent	704.925.2	0.007 kg

Spare key

Additional Information

- The standard lock Ronis 251
- Optional lock numbers on request

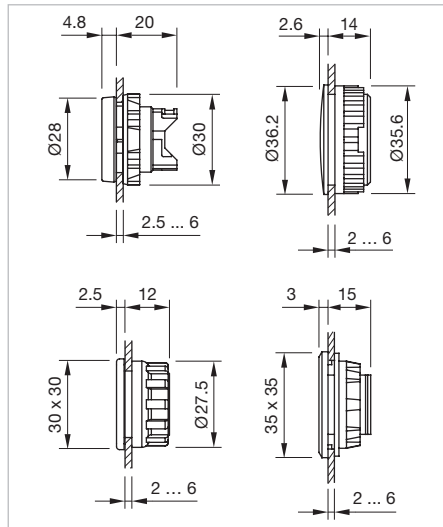
Product attribute	Part No.	Weight
 <p>Spare key</p>		
for keylock number 251, keylock type Ronis	704.989.251	0.006 kg

04 Accessories





Blind plug, IP 65

Additional Information

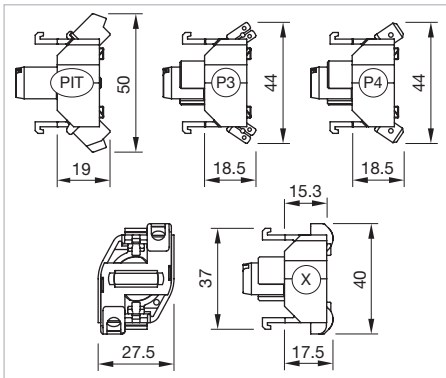
- The dimensions of the mounting cut-outs are shown in the product details
- Please note that bigger minimum distances are necessary




Dimensions [mm]

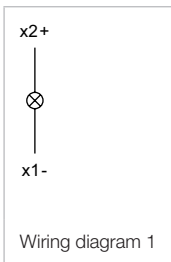
Dimension	Mounting cut-out	Material	Colour	Part No.	Weight
 Blind plug					
Ø 28 mm	Ø 22.5 mm	Plastic	black	704.960.4	0.004 kg
 Blind plug					
30 x 30 mm	Ø 22.5 mm	Plastic	black	704.964.7	0.009 kg
 Blind plug					
Ø 36 mm	Ø 30.5 mm	Plastic	black	704.964.8	0.007 kg
 Blind plug					
35 x 35 mm	30 x 30 mm	Plastic	black	704.964.9	0.009 kg

Lamp block for selector switch 2 positions



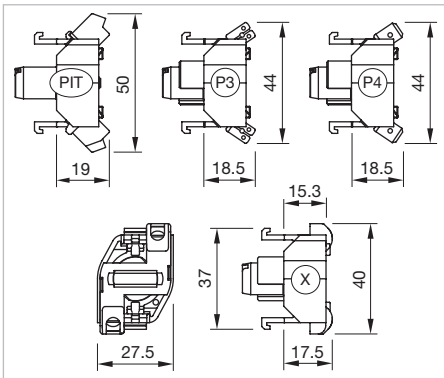
Dimensions [mm]
 PIT = Push-in terminal,
 P3 = Plug-in terminal 6.3 x 0.8 mm,
 P4 = Double plug-in terminal 6.3 x 0.8 mm,
 X = Screw terminal

Product attribute	Terminal	Part No.	Wiring diagram	Weight
	Screw	704.950.0	1	0.012 kg
	Plug 6.3 x 0.8 mm	704.950.1	1	0.012 kg
Terminals nickel plated and blank Cu/Sn	Double plug 6.3 x 0.8 mm	704.950.1/D	1	0.013 kg
	Push-in Terminal	704.950.3	1	0.014 kg
Terminals nickel plated Cu/Sn	Double plug 6.3 x 0.8 mm	704.950.2/D	1	0.013 kg
for ring cable shoe	Screw	704.950.0B	1	0.013 kg



04 Accessories

Lamp block for selector switch 2 and 3 positions




Dimensions [mm]

PIT = Push-in terminal,

P3 = Plug-in terminal 6.3 x 0.8 mm,

P4 = Double plug-in terminal 6.3 x 0.8 mm,

X = Screw terminal

Product attribute	Terminal	Part No.	Wiring diagram	Weight
	Screw	704.951.0	1	0.012 kg
	Plug 6.3 x 0.8 mm	704.951.1	1	0.012 kg
Terminals nickel plated and blank Cu/Sn	Double plug 6.3 x 0.8 mm	704.951.1/D	1	0.013 kg
	Push-in Terminal	704.951.3	1	0.014 kg

x2+



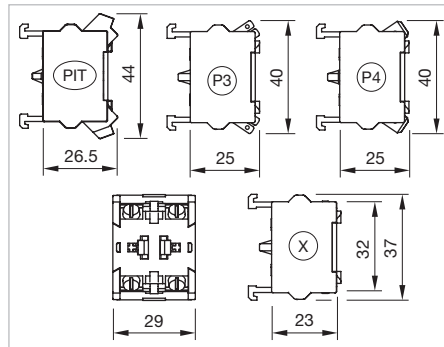
x1-

Wiring diagram 1



Switching element

Additional Information

- For the third switching element the terminal marking insert is to be ordered separately

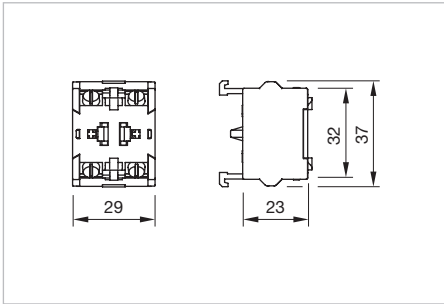


Dimensions [mm]
 PIT = Push-in terminal,
 P3 = Plug-in terminal 6.3 x 0.8 mm,
 P4 = Double plug-in terminal 6.3 x 0.8 mm,
 X = Screw terminal



Switching voltage	Switching current	Switching system	Contacts	Contact material	Terminal	Part No.	Wiring diagram	Weight
 <h3>Switching element</h3>								
500 VAC	6 A	Snap-action switching element	1 NO	Gold	Push-in Terminal	704.907.1	3	0.020 kg
			1 NC	Gold	Push-in Terminal	704.907.2	1	0.020 kg
			2 NO	Gold	Push-in Terminal	704.907.3	5	0.027 kg
			2 NC	Gold	Push-in Terminal	704.907.4	4	0.027 kg
			1 NC + 1 NO	Gold	Push-in Terminal	704.907.5	2	0.027 kg
			1 NO	Silver	Push-in Terminal	704.908.1	3	0.020 kg
			1 NC	Silver	Push-in Terminal	704.908.2	1	0.020 kg
			2 NO	Silver	Push-in Terminal	704.908.3	5	0.027 kg
			2 NC	Silver	Push-in Terminal	704.908.4	4	0.027 kg
1 NC + 1 NO	Silver	Push-in Terminal	704.908.5	2	0.027 kg			
 <h3>Switching element</h3>								
500 VAC	6 A	Slow-make switching element	1 NO	Gold	Push-in Terminal	704.917.1	3	0.019 kg
			1 NC	Gold	Push-in Terminal	704.917.2	1	0.019 kg
			2 NO	Gold	Push-in Terminal	704.917.3	5	0.026 kg
			2 NC	Gold	Push-in Terminal	704.917.4	4	0.019 kg
			1 NC + 1 NO	Gold	Push-in Terminal	704.917.5	2	0.026 kg
			1 NO	Silver	Push-in Terminal	704.918.1	3	0.019 kg
			1 NC	Silver	Push-in Terminal	704.918.2	1	0.019 kg
			2 NO	Silver	Push-in Terminal	704.918.3	5	0.026 kg
			2 NC	Silver	Push-in Terminal	704.918.4	4	0.019 kg
1 NC + 1 NO	Silver	Push-in Terminal	704.918.5	2	0.026 kg			

04 Accessories

Switching element ring cable shoe



Dimensions [mm]

Switching voltage	Switching current	Switching system	Contacts	Contact material	Terminal	Part No.	Wiring diagram	Weight
 <p>Switching element for ring cable shoe</p>								
500 VAC	10 A	Snap-action switching element	1 NO	Silver	Screw	704.900.1B	3	0.021 kg
			1 NC	Silver	Screw	704.900.2B	1	0.021 kg
			2 NO	Silver	Screw	704.900.3B	5	0.028 kg
			2 NC	Silver	Screw	704.900.4B	4	0.028 kg
			1 NC + 1 NO	Silver	Screw	704.900.5B	2	0.028 kg
 <p>Switching element for ring cable shoe</p>								
500 VAC	10 A	Slow-make switching element	1 NO	Gold	Screw	704.911.1B	3	0.021 kg
			1 NC	Gold	Screw	704.911.2B	1	0.021 kg
			2 NO	Gold	Screw	704.911.3B	5	0.028 kg
			2 NC	Gold	Screw	704.911.4B	4	0.028 kg
			1 NC + 1 NO	Gold	Screw	704.911.5B	2	0.028 kg
			1 NO	Silver	Screw	704.910.1B	3	0.021 kg
			1 NC	Silver	Screw	704.910.2B	1	0.021 kg
			2 NO	Silver	Screw	704.910.3B	5	0.028 kg
			2 NC	Silver	Screw	704.910.4B	4	0.028 kg
			1 NC + 1 NO	Silver	Screw	704.910.5B	2	0.028 kg

Contacts: NC = Normally closed, NO = Normally open

