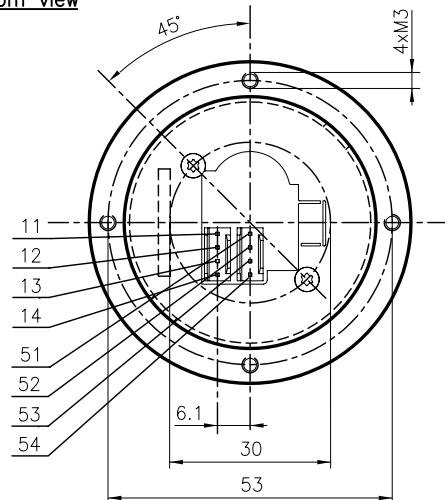
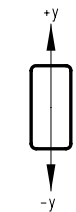


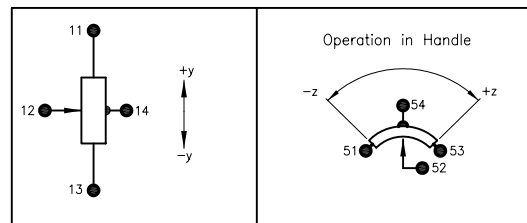
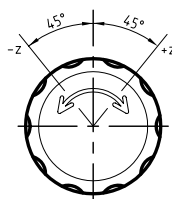
Bottom view



Gate
(Top view)

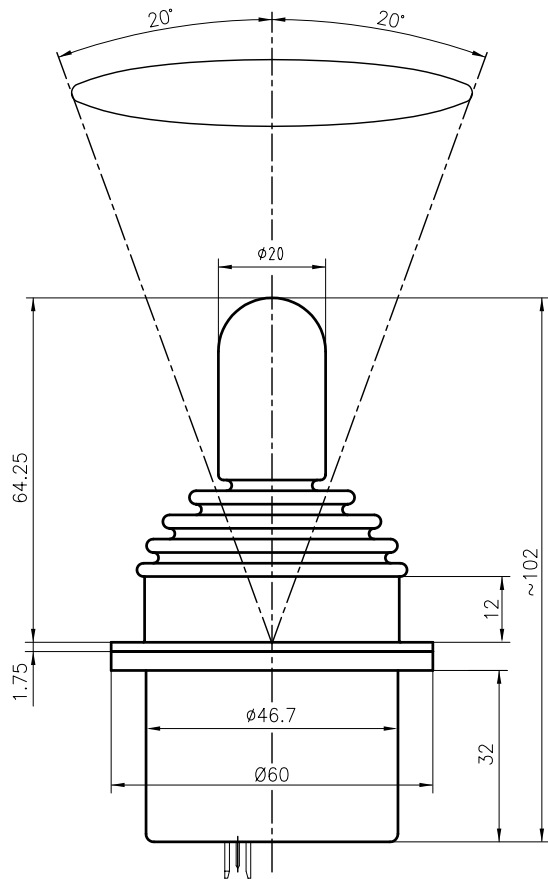


Steering Angle
(z-axis)

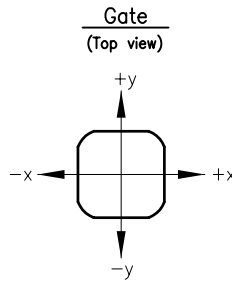
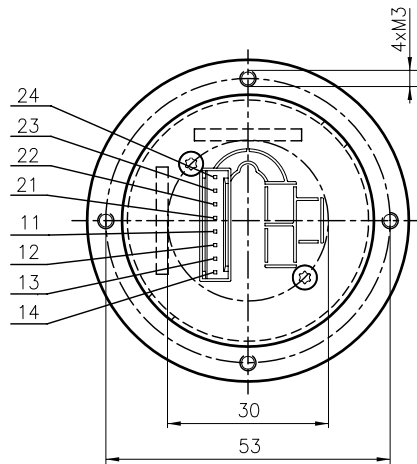


Description					
Joystick Type SK 60-0546					
Number of axis	2-axis, y-axis, z-axis				
Operation by	y-axis: Put and Stay z-axis: integrated in Handle				
Plug: DUBOX Walled Header	2x 4-poles: 76384-304				
Counter plug: Dubox Housing	2x 4-poles: 65240-04				
Crossguide	-				
Center tab	z-axis $\pm 3.5^\circ$ / y-axis $\pm 1.75^\circ$				
Retaining spring	-				
Switchfunction	-				
Switchpoint	-				
Electrical characteristics					
Resistance value	5 kOhm \pm 20%				
Power disipation	0.2 Watt at 40°C per axis				
Operating voltage	max. 30V DC				
Axis		Potentiometer		Connector side	
	Direction	Colour/ Number	Center tab	Joystick in mid-position	
y-axis	↑ +y	11	14		
	Wiper	12			
	↓ -y	13			
z-axis	↑ +z	53	54		
	Wiper	52			
	↓ -z	51			

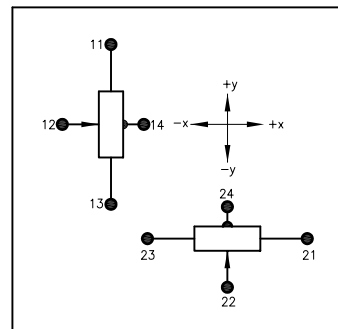
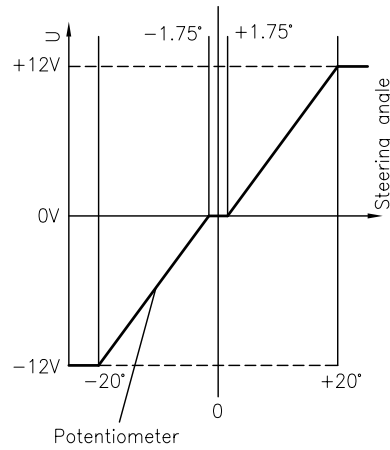
Oberfläche		Maßstab	1:1	Position		Menge
Datum		Name		Joystick		
Bearb. 08.05.08		M. Kiener				
Gepr.						
Norm						
Zust.		Änderungen		Datum		Name
Dateiname		E:\DWQ\DWQ		SK60_160_0546E.dwg		
GENCE & THOMA AG		01-2543 Lengnau/Blatt		60-0546E		
				Blatt		
				Bl		



Bottom view

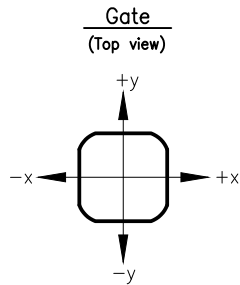
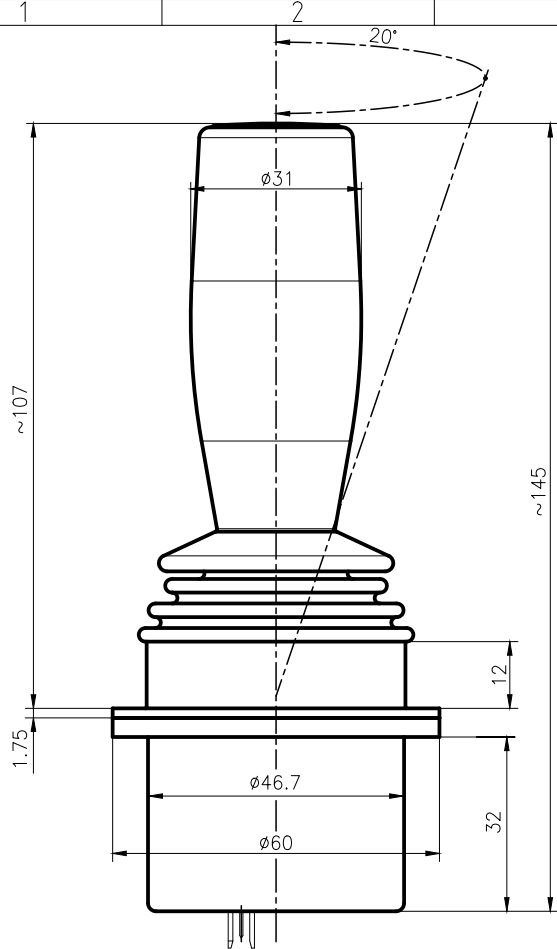


Output diagram
x-axis / y-axis

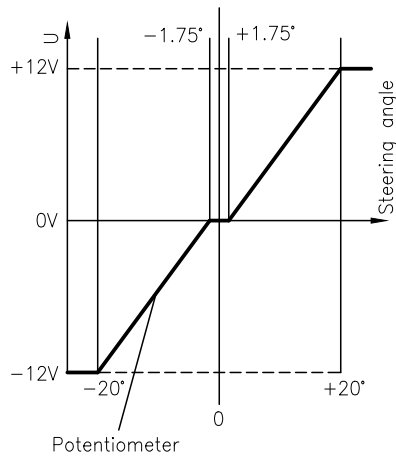


Description				
Joystick Type SK 60-0765				
Number of axis	2-axis, x-axis, y-axis			
Operation by	Rubber bellow 48-203 x,y-axis with friction brake			
Plug: DUBOX Walled Header	8-poles: 76384-308			
Counter plug: Dubox Housing	8-poles: 65240-008			
Center tab	±1.75°			
Switch function	-			
Electrical characteristics				
Resistance value	5 kOhm ± 20%			
Operating voltage	max. 30V DC			
Axis		Potentiometer side	Connector side	
	Direction	Colour/ number	Center tab	Joystick in mid-position
x-axis	↑ +x	21	24	
	Wiper	22		
	↓ -x	23		
y-axis	↑ +y	11	14	
	Wiper	12		
	↓ -y	13		

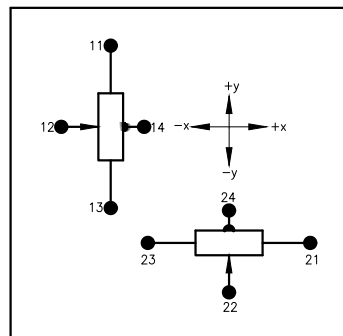
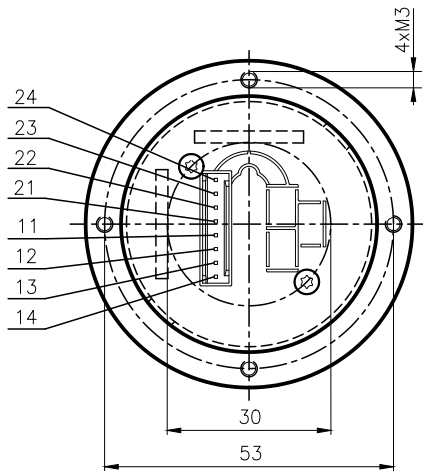
		Oberfläche	Maßstab 1:1	Position	Menge
		Datum	Name	Joystick	
		Bearb. 08.02.11	M. Kiener		
		Gepr.			
		Norm			
		GENGE & THOMA AG <small>OH-2543 Lengnau/Bludenz</small>		Blatt	
		Dateiname: E:\DWQ\DWQ_SK60_160-0765.dwg		Bl	
Zust.	Änderungen	Datum	Name		



Output diagram
x-axis / y-axis



Bottom view



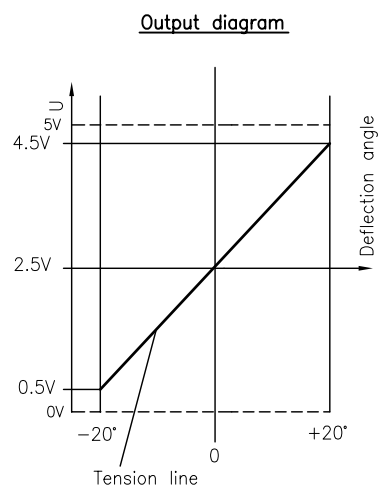
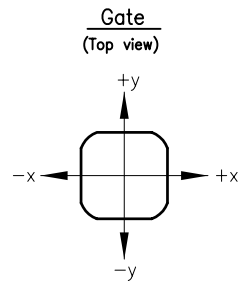
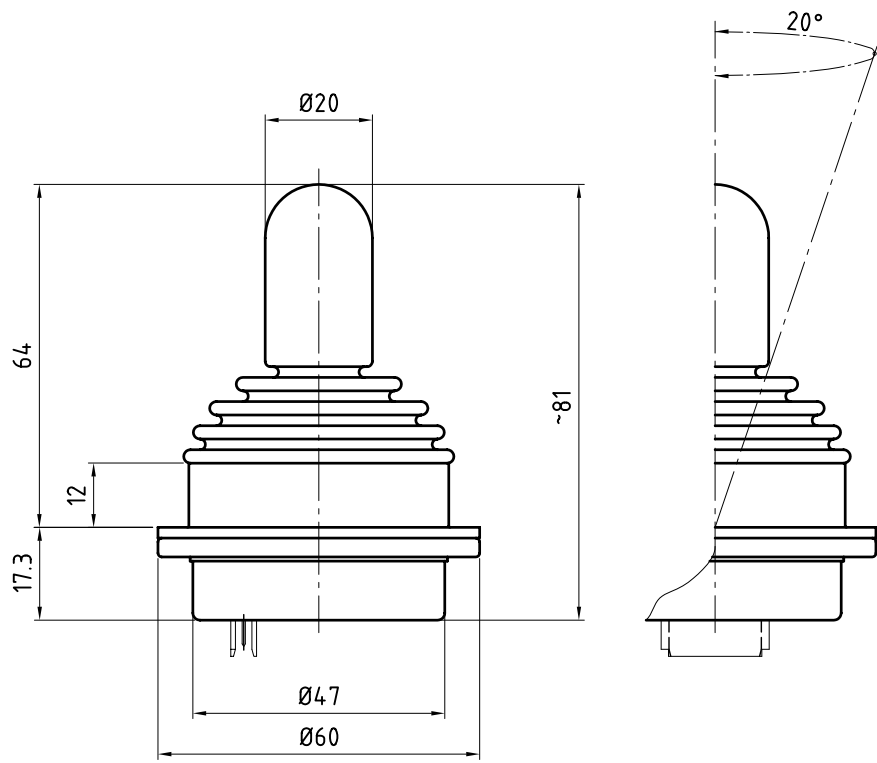
Description				
Joystick Type SK 60-0766				
Number of axis	2-axis, x-axis, y-axis			
Operation by	Handle (60-709) x,y-axis with friction brake			
Plug: DUBOX Walled Header	8-poles: 76384-308			
Counter plug: Dubox Housing	8-poles: 65240-008			
Center tab	$\pm 1.75'$			
Switch function	-			
Electrical characteristics				
Resistance value	5 kOhm $\pm 20\%$			
Operating voltage	max. 30V DC			
Axis	Potentiometer side	Connector side		
	Direction	Colour/ number	Center tab	Joystick in mid-position
x-axis	↑ +x	21	24	
	Wiper	22		
	↓ -x	23		
y-axis	↑ +y	11	14	
	Wiper	12		
	↓ -y	13		

Oberfläche		Maßstab	1:1	Position	Menge
Bearb.	08.02.11	Joystick			
Gepr.	M. Kiener				
Norm					
GENGE & THOMA AG		60-0766		Blatt	
AG OH-2543 Lengnau/Biel				Bl	
Zust.	Änderungen	Datum	Name	Dateiname	E:\DWG\DWG SK600...V60-0766.dwg

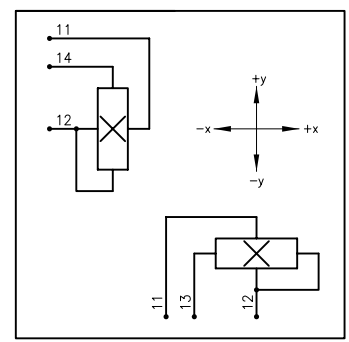
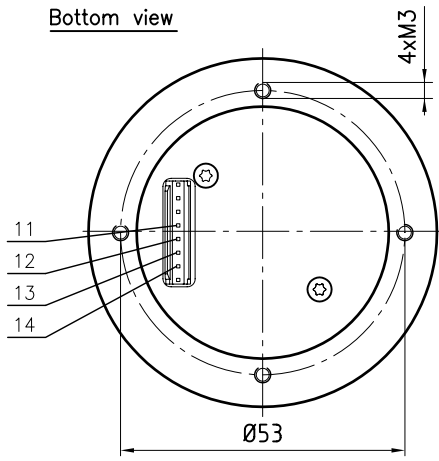
Description	
Joystick Type SK 60-0907	
Number of axes	2-axes, x-axis, y-axis
Operation by	Rubber bellow Put and Stay (friction brake)
Cross guidance	none
Switch function	none
Retaining spring	none
Connector:	8-poles: 76384-308
DUBOX Walled Header	
Mating connector:	8-poles: 65240-008
Dubox Housing	
Anti-rotation locking	

Electrical characteristics	
Operating voltage	5 V DC
Sensor	Hall effect technology

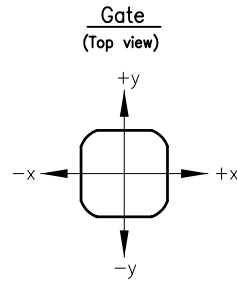
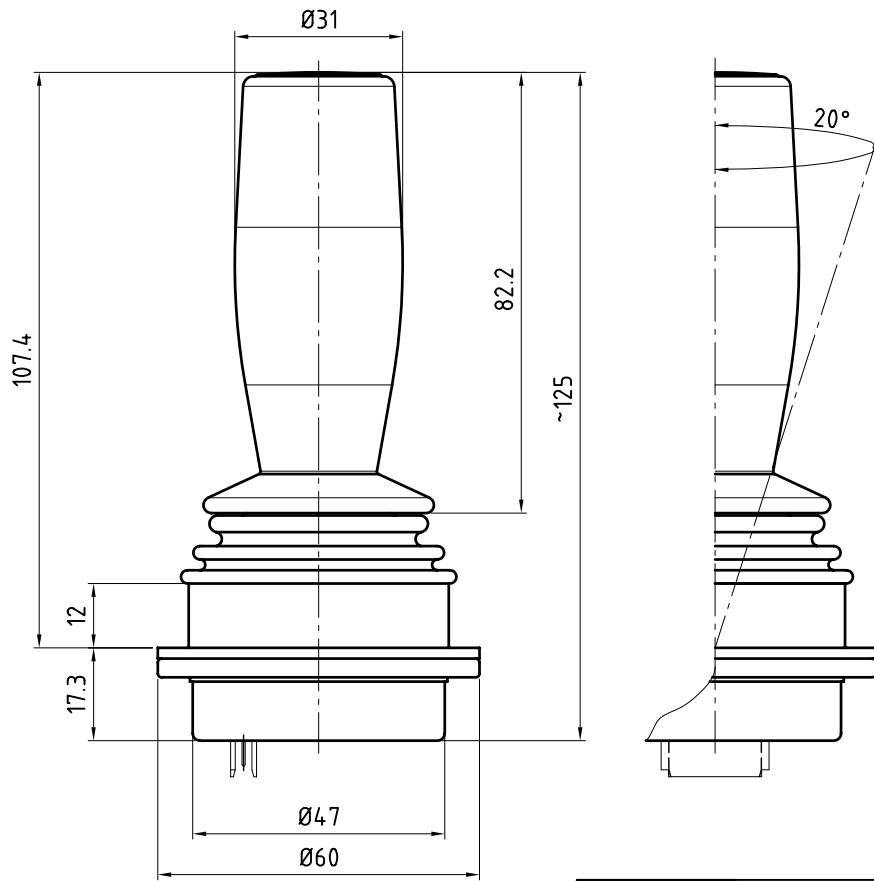
Pin	
11	Supply voltage
12	Ground
13	x (-x=0.5V, middle=2.5V, +x=4.5V)
14	y (-y=0.5V, middle=2.5V, +y=4.5V)



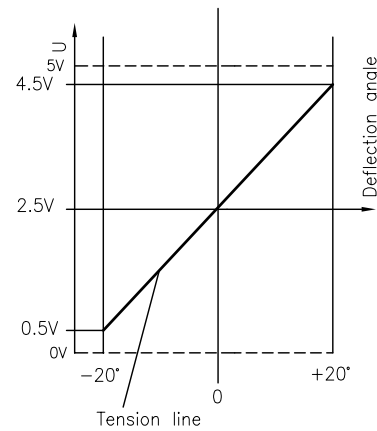
Bottom view



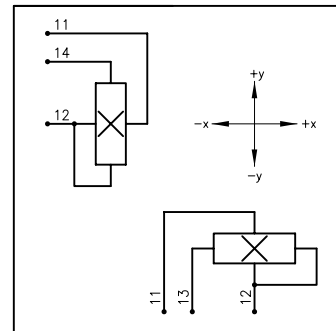
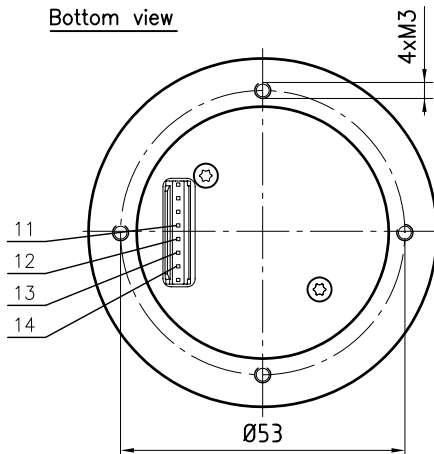
		Oberfläche	Maßstab 1:1	Position	Menge
		Datum	Name	Joystick	
		Bearb. 14.01.13	Kiener M.		
		Gepr.			
		Norm			
		GENGE & THOMA AG <small>OT-2543 Lengnau/Biel</small>			Blatt
		Dateiname: E:\DWG\LSK_60\LSK60-0907.dwg			Bl
Zust.	Änderungen	Datum	Name		



Output diagram



Bottom view



Description	
Joystick Type SK 60-0909	
Number of axes	2-axes, x-axis, y-axis
Operation by	Sleek handle Put and Stay (friction brake)
Cross guidance	none
Switch function	none
Retaining spring	none
Connector:	8-poles: 76384-308
DUBOX Walled Header	
Mating connector:	8-poles: 65240-008
Dubox Housing	
Anti-rotation locking	

Electrical characteristics

Operating voltage	5 V DC
Sensor	Hall effect technology

Pin

11	Supply voltage
12	Ground
13	x (-x=0.5V, middle=2.5V, +x=4.5V)
14	y (-y=0.5V, middle=2.5V, +y=4.5V)

		Oberfläche	Maßstab 1:1	Position	Menge
		Datum	Name	Joystick	
		Bearb. 14.01.13	Kiener M.		
		Gepr.			
		Norm			
		GENGE & THOMA AG <small>OT-2543 Lengnau/Biel</small>			Blatt
		Dateiname: E:\Dwg\LSK_60\LSK60-0909.dwg			Bl
Zust.	Änderungen	Datum	Name		