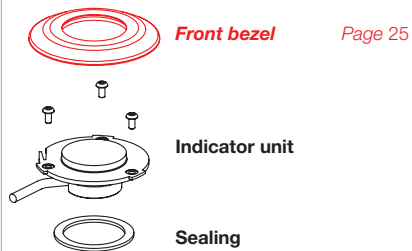


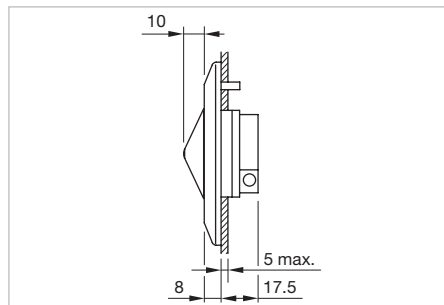
Flashing warning beacon

Equipment consisting of



Each part listed below includes all the black components shown in the 3D-drawing.

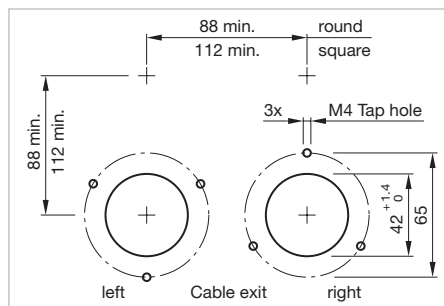
To obtain a complete unit, please select the red components from the pages shown.



Dimensions [mm]



The preview is based on a sample product. This can differ from your current configuration.



Mounting cut-outs [mm]

Additional Information

- Please fill in the form and forward it to your local EAO partner by e-mail or fax. The electronic form is available at <http://www.eao.com/offer56>

Front cap

Plastic colourless raised

Illumination

LED white

Supply voltage

24 VDC

Tolerance $\pm 30\%$

Cable exit

cable exit right

cable exit left

Cable length

A = 200mm

A = 500mm

A = 1000mm

A = 1500mm

_____ mm

Cable and Connector type

Cable

2x0.24mm²

Connector

core end-sleeves

AMP Connector Mate-N-Lok (Wiring diagram 2)

DEUTSCH connector (Wiring diagram 2)

AMP Connector 2.8x0.8 (Wiring diagram 1)

AMP Connector 6.3x0.8 (Wiring diagram 2)

Front mounting

Housing

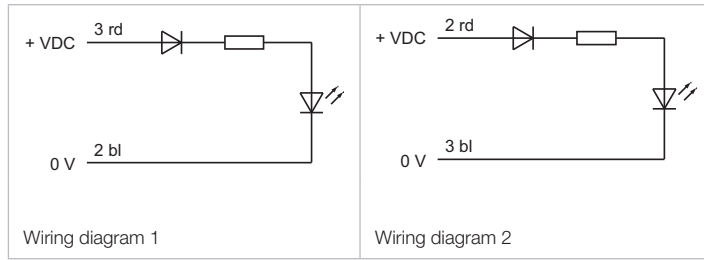
housing D73 (standard)

housing reworked 50x50mm

housing reworked 68.5x50mm



The drawings you will find from page 36

The component layout No. 1 you will find from page 36




Front
Front bezel
Additional Information

- Special colours for front bezel on request

Product attribute	Colour	Front bezel	Part No.	Weight
 Front bezel, front dimension 87 x 87 mm				
For single side indicator and single side pushbutton, front mounting	RAL 3020	Plastic red	56-2200	0.026 kg
	RAL 1023	Plastic yellow	56-2400	0.026 kg
	RAL 6024	Plastic green	56-2500	0.026 kg
	RAL 5017	Plastic blue	56-2600	0.026 kg
		Metal matt chrome	56-4600	0.085 kg
 Front bezel, front dimension Ø 87 mm				
For single side indicator and single side pushbutton; double side pushbutton external	RAL 9017	Pastic black	56-1000	0.018 kg
	RAL 3020	Plastic red	56-1200	0.018 kg
	RAL 2003	Plastic orange	56-1300	0.018 kg
	RAL 1023	Plastic yellow	56-1400	0.018 kg
	RAL 6024	Plastic green	56-1500	0.018 kg
	RAL 5017	Plastic blue	56-1600	0.018 kg
	RAL 7043	Plastic darkgrey	56-1800	0.018 kg
	RAL 7040	Plastic lightgrey	56-1800A	0.018 kg
	Metal matt chrome	56-3600	0.07 kg	

Front bezel internal
Additional Information

- For double side pushbutton

Dimension	Colour	Front bezel	Part No.	Weight
 Front bezel internal				
Ø 87 mm	RAL 3020	Plastic red	56-5200	0.09 kg
	RAL 2003	Plastic orange	56-5300	0.09 kg
	RAL 1023	Plastic yellow	56-5400	0.09 kg
	RAL 6024	Plastic green	56-5500	0.09 kg
	RAL 5017	Plastic blue	56-5600	0.09 kg
	RAL 7043	Plastic darkgrey	56-5800	0.09 kg
	RAL 7040	Plastic lightgrey	56-5800A	0.09 kg
	Metal matt chrome	56-7600	0.115 kg	

Switch rating

min. 5VDC, 5mA
max. 137VDC/VAC, max. 200mA

Electric strength

4000VAC, 50Hz, 1 min, between all terminals and mounting plate/front element

Environmental conditions

Storage temperature

-45 °C ... +90 °C

Operating temperature

-40 °C ... +80 °C

Protection degree

Front side IP 67
Back side IP 65

Climate resistance

Damp heat, cyclic
96 hours, +25 °C/97 %, +55 °C/93 % relative humidity,
as per EN IEC 60068-2-30

Damp heat, state
56 days, +40 °C/93 % relative humidity, as per EN IEC 60068-2-78

Rapid change of temperature
100 cycles, -40 °C ... +80 °C, as per EN IEC 60068-2-14

Shock resistance

(semi-sinusoidal)
max. 250 m/s², pulse width 11 ms, as per EN IEC 60068-2-27

Vibration resistance

(sinusoidal)
max. 100 m/s² at 10Hz...500Hz, as per EN IEC 60068-2-6

Approvals

Approbations

CQC
NFF

Declaration of conformity

CE
TSI/PRM

Flashing warning beacon

Material

Connection cable

Halogene free Polyolefine mixture

Lens

Polycarbonate (PC), as per UL94 V0

Front bezel

Zinc matt chromium plated or Polybutylenterephthalat (PBT),
as per UL94 V0

Actuator

Polycarbonate (PC), as per UL94 V0

Wire cross-section

0.24 mm²

Wire length

200 mm with AMP connector 2.8 x 0.8mm

Fixing screws

For front mounting M4 x 8 mm

Tightening torque

For screws for front mounting 80Ncm... 100Ncm
Key (mounting and dismantling)
Hexagon socket wrench size 2.5 mm

Mechanical characteristics

Terminals

Cable 2-poles with plug-in connection 2.8 x 0.8 mm
Flat plug-in housing rectangular, AMP No. 626 057-0

Counterpart to AMP Flat plug-in housing
(not part of delivery)
Receptacle housing AMP No. 626 056-0
Receptacle socket AMP No. 160 655-2

Electrical characteristics

Illumination

3 LED white
Supply voltage 24 VDC $\pm 30\%$
Current consumption < 500 mA
Blitzfrequenz 1 Hz
Impulsdauer 50 ms
Pausendauer 950 ms
Einschaltdauer 5 %
Luminosity and wave length variations caused by LED manufacturing processes may cause slight differences regarding the illumination

Units compliant to

EN 61000-6-2, EN 61000-6-3, EN 50121-3-2

Environmental conditions

Storage temperature

-45 °C ... +90 °C

Operating temperature

-40 °C ... +80 °C

Protection degree

Front side IP 67

Rear side IP 65

Climate resistance

Damp heat, cyclic
96 hours, +25 °C/97 %, +55 °C/93 % relative humidity, as per EN IEC 60068-2-30

Damp heat, state
56 days, +40 °C/93 % relative humidity, as per EN IEC 60068-2-78

Rapid change of temperature
100 cycles, -40 °C ... +80 °C, as per EN IEC 60068-2-14

Shock resistance

(semi-sinusoidal)
max. 250 m/s², pulse width 11 ms, as per EN IEC 60068-2-27

Vibration resistance

(sinusoidal)
max. 100 m/s² at 10 Hz ... 2000 Hz, as per EN IEC 60068-2-6

Approvals

Approbations

CQC

NFF

Declaration of conformity

CE

EAO reserves the right to alter specifications without further notice.