

Series
57
Indicator

www.eao.com



Series 57

Indicator

To achieve maximum safety in public transport, you need intuitive signage and a high level of reliability.

EAO has expanded the successful Series 57 range with a new indicator.

As a pioneer in illuminated pushbuttons and an expert in Human Machine Interfaces (HMIs), EAO continues to set new standards in public transportation. The Series 57 indicators impress with their intuitive visual feedback and high quality. Their modular construction enables them to be easily mounted as status indicators in exterior and interior doors, passenger compartments and toilets in public transportation, as well as public buildings.

The modern design and extra-large illuminated surface ensure that 'secret-til-lit' symbols or text are clearly visible even from far away. The Series 57 indicator is available with single or dual-colour illumination in red, yellow, green, blue and white. Flashing and dimming effects are also available.

It shares the same design as other Series 57 products, and therefore offers the same high IP69K front protection.

Mounting is quick and requires no tools, thus saving time and money. This makes the Series 57 indicators the perfect choice for all train, tram or bus manufacturers and operators.

Typical applications

- Public transportation: rail, tram, bus
- Access control
- Emergency call and help points

Materials

The materials used comply with the high EAO standards relating to quality, functional safety, service life and design. They are resistant to cleaning agents and are also highly resistant to UV radiation.

Mechanical characteristics

- Cable, 2-wire with core-end sleeves for the standard single-colour version (wire cross section 0.5 mm²)
- Cable, 4-wire with core-end sleeves for the dual-colour version and for versions with light effect functions (wire cross section 0.5 mm²)
- Cable length: 200 mm; 1000 mm; 2000 mm (other lengths upon request)
- Resistant to impact shocks and vibrations
- Plug connectors upon request

Electrical characteristics

- Single-colour: 20 LEDs, red, yellow, green, blue or white
- Dual-colour: 40 LEDs, red/yellow, red/green or blue/white
- Operating voltage:
 - 110 VDC ± 30 %
 - 24 VDC ± 30 %
- Current consumption: < 60 mA
- The illumination may vary slightly depending on the manufacturer of the LEDs

Ambient conditions

Temperature

- Storage temperature –45 °C to +90 °C
- Operating temperature –40 °C to +85 °C

Degree of protection

- IP69K front protection
- IP67 rear protection

Symbols



Advantages.

- Extra-large illuminated surface
- Illumination in one or two colours
- Bright and homogenous illumination
- High IP69K front protection
- Optional flashing or dimming effects

Colour of front bezel

- Plastic: Green RAL 6032, red RAL 3000, blue RAL 5015, yellow RAL 1023, grey RAL 7040, black RAL 9017
- Metal: Aluminium, natural anodized

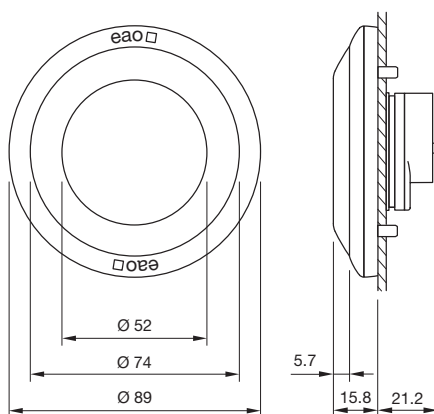
Standards and directives

- Declaration of Conformity
 - EN 50155
- Fire protection
 - EN 45545
- Cable in compliance with
 - DIN EN 50306-2; VDE 0260-306-2
 - DIN EN 50306-4; VDE 0260-306-4
 - NFF 63808/NFF 61030

Mounting/replacement

The mounting dimensions of the Series 57 indicators are compliant with industry standards and are identical to those of other manufacturers – making it easy to upgrade straight to the Series 57 from other indicators.

Dimensions



Mounting cut-outs

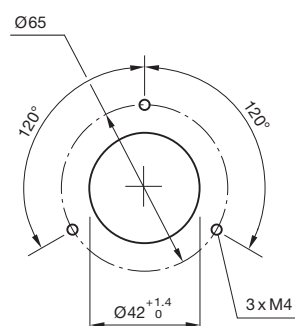
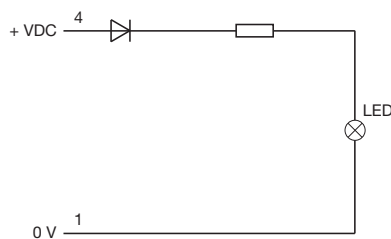
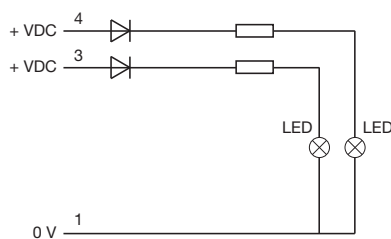


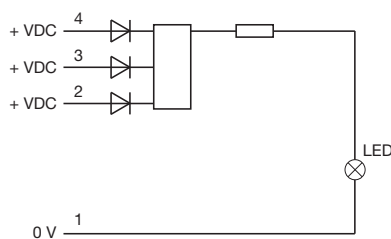
Diagram single-colour, no software



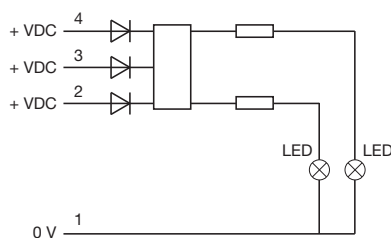
Diagram, bi-colour, no software



Diagram, single-colour, with software



Diagram, bi-colour, with software



EAO Contact.

Your centre of excellence.

Headquarters

EAO Holding AG
Tannwaldstrasse 88
CH-4600 Olten
Telephone +41 62 286 91 11
info@eao.com

Manufacturing Companies

Switzerland
EAO AG
Tannwaldstrasse 88
CH-4600 Olten
Telephone +41 62 286 91 11
info@eao.com

EAO Systems AG
Tannwaldstrasse 88
CH-4600 Olten
Telephone +41 62 286 91 11
sales.esy@eao.com

China
EAO (Guangzhou) Ltd.
RM 3A03, 3A/F, Block A,
Guangzhou
International Business
Incubator Centre
3 Ju Quan Lu,
Guangzhou Science City
CN-Guangzhou, PRC
Telephone +86 20 322 903 90
sales.ecn@eao.com

Germany
EAO Automotive GmbH & Co. KG
Richard-Wagner-Straße 3
DE-08209 Auerbach/Vogtland
Telephone +49 3744 8264 0
sales.esa@eao.com

North America
EAO Corporation
One Parrott Drive
Shelton,
US-CT 06484
Telephone +1 203 951 4600
sales.eus@eao.com

Sales Companies

China
EAO (Guangzhou) Ltd.
RM 3A03, 3A/F, Block A,
Guangzhou
International Business
Incubator Centre
3 Ju Quan Lu,
Guangzhou Science City
CN-Guangzhou, PRC
Telephone +86 20 322 903 90
sales.ecn@eao.com

France
EAO France SAS
5, rue Henri François
FR-77330 Ozoir-la-Ferrière
Telephone +33 1 64 43 37 37
sales.efr@eao.com

**Germany, Austria,
Poland, Czech Republic**
EAO GmbH
Langenberger Straße 570
DE-45277 Essen
Telephone +49 201 8587 0
sales.ede@eao.com

Hong Kong (Asia Pacific)
EAO (Far East) Ltd.
Unit A1, 1/F, Block A
Tin On Industrial Building
777 Cheung Sha Wan Road
Lai Chi Kok, Kln
HK-Hong Kong
Telephone +852 27 86 91 41
sales.ehk@eao.com

Italy
EAO Italia S.r.l.
Piazza Monsignor L. Chiodi 3
IT-24049 Verdello (Bergamo)
Telephone +39 035 481 0189
sales.eit@eao.com

Japan
EAO Japan Co. Ltd.
Net 1 Mita Bldg. 3F
3-1-4 Mita Minato-ku
JP-Tokyo 108-0073
Telephone +81 3 5444 5411
sales.esj@eao.com

Netherlands, Belgium
EAO Benelux B.V.
Kamerlingh Onnesweg 46
Postbus 544
NL-3300 AM Dordrecht
Telephone +31 78 653 17 00
sales.enl@eao.com

North America
EAO Corporation
One Parrott Drive
Shelton,
US-CT 06484
Telephone +1 203 951 4600
sales.eus@eao.com

Sweden
EAO Svenska AB
Slakthusgatan 9
SE-121 62 Johanneshov
Telephone +46 8 683 86 60
sales.esw@eao.se

Switzerland
EAO Schweiz AG
Tannwaldstrasse 86
CH-4600 Olten
Telephone +41 62 286 95 00
sales.ech@eao.com

United Kingdom
EAO Ltd.
Highland House
Albert Drive
Burgess Hill,
GB-West Sussex RH15 9TN
Telephone +44 1444 236 000
sales.euk@eao.com