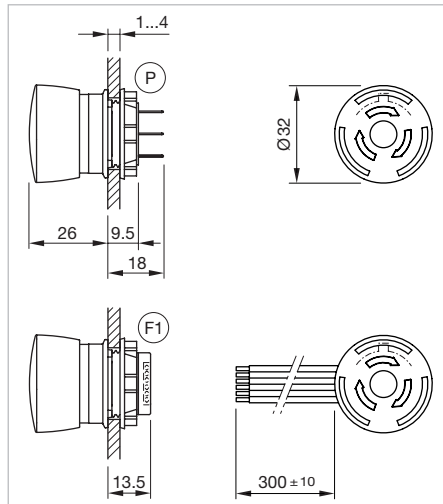


# 84 Raised design

## Emergency-stop switch complete, foolproof EN IEC 60947-5-5, IP 65



Product can differ from the current configuration.



Dimensions [mm]  
 F1 = Flat ribbon cable,  
 P = Plug-in terminal 2.8 x 0.5 mm

### Equipment consisting of (schematic overview)



Actuator

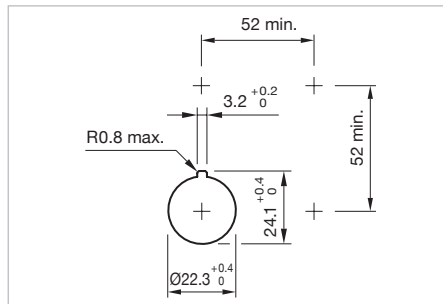


Fixing nut


Each Part Number listed below includes all the black components shown in the 3D-drawing.


### Additional Information

- Lens plastic red
- Switching action maintain
- Twist to unlock clockwise
- Application as per DIN EN ISO 13850 and EN 60204-1
- Standard version: Flat ribbon-cable length 300 mm or plug-in terminal 2.8 x 0.5 mm
- Other options on request: Customisation of flat ribbon-cable and connectors
- Luminosity and wave length scattering caused by LED manufacturing processes may cause slight variations in the illumination



Mounting cut-outs [mm]

Product attribute	LED colour	Contacts	Terminal	Part No.	Component layout	Wiring diagram	Weight	
	Position indication ring green	1 NC	Flat ribbon cable	<b>84-5120.0040</b>	1	1	0.036 kg	
		1 NC + 1 NO	Flat ribbon cable	<b>84-5130.0040</b>	1	2	0.036 kg	
		2 NC	Flat ribbon cable	<b>84-5140.0040</b>	1	3	0.036 kg	
		Single-LED red	1 NC	Flat ribbon cable	<b>84-5121.2B40</b>	1	4	0.036 kg
			1 NC + 1 NO	Flat ribbon cable	<b>84-5131.2B40</b>	1	5	0.036 kg
			2 NC	Flat ribbon cable	<b>84-5141.2B40</b>	1	6	0.036 kg
	Position indication ring black		1 NC	Flat ribbon cable	<b>84-5020.0040</b>	1	1	0.036 kg
			1 NC + 1 NO	Flat ribbon cable	<b>84-5030.0040</b>	1	2	0.036 kg
			2 NC	Flat ribbon cable	<b>84-5040.0040</b>	1	3	0.036 kg
Single-LED red		1 NC	Flat ribbon cable	<b>84-5021.2B40</b>	1	4	0.036 kg	
		1 NC + 1 NO	Flat ribbon cable	<b>84-5031.2B40</b>	1	5	0.036 kg	
		2 NC	Flat ribbon cable	<b>84-5041.2B40</b>	1	6	0.036 kg	

Product attribute	LED colour	Contacts	Terminal	Part No.	Component layout	Wiring diagram	Weight
 <p><b>Emergency-stop switch complete, foolproof EN IEC 60947-5-5, Front dimension Ø 32 mm</b></p>							
Position indication ring green		1 NC	Plug 2.8 x 0.5 mm	<b>84-5120.0020</b>	2	1	0.028 kg
		1 NC + 1 NO	Plug 2.8 x 0.5 mm	<b>84-5130.0020</b>	2	2	0.028 kg
		2 NC	Plug 2.8 x 0.5 mm	<b>84-5140.0020</b>	2	3	0.028 kg
	Single-LED red	1 NC	Plug 2.8 x 0.5 mm	<b>84-5121.2B20</b>	2	3	0.028 kg
		1 NC + 1 NO	Plug 2.8 x 0.5 mm	<b>84-5131.2B20</b>	2	5	0.028 kg
		2 NC	Plug 2.8 x 0.5 mm	<b>84-5141.2B20</b>	2	6	0.028 kg
Position indication ring black		1 NC	Plug 2.8 x 0.5 mm	<b>84-5020.0020</b>	2	1	0.028 kg
		1 NC + 1 NO	Plug 2.8 x 0.5 mm	<b>84-5030.0020</b>	2	2	0.028 kg
		2 NC	Plug 2.8 x 0.5 mm	<b>84-5040.0020</b>	2	3	0.028 kg
	Single-LED red	1 NC	Plug 2.8 x 0.5 mm	<b>84-5021.2B20</b>	2	4	0.028 kg
		1 NC + 1 NO	Plug 2.8 x 0.5 mm	<b>84-5031.2B20</b>	2	5	0.028 kg
		2 NC	Plug 2.8 x 0.5 mm	<b>84-5041.2B20</b>	2	6	0.028 kg

Contacts: NC = Normally closed, NO = Normally open  
 The component layouts you will find from page 49

