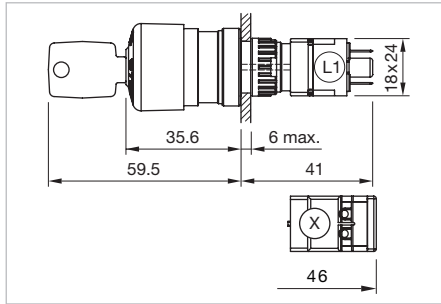


61 Raised design

Emergency-stop switch, foolproof EN IEC 60947-5-5, IP 65



Product can differ from the current configuration.



Dimensions [mm]
L1 = Solder terminal 2.8 x 0.5 mm,
X = Screw terminal

Equipment consisting of (schematic overview)



Actuator



Fixing nut

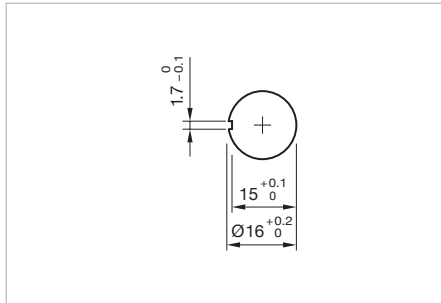


Switching element

page 655

Additional Information





- Lens plastic red
- Application as per DIN EN ISO 13850 and EN 60204-1
- The standard lock: KABA 1001
- Two keys are supplied with each key lock switch
- Optional lock numbers on request





Mounting cut-outs [mm]

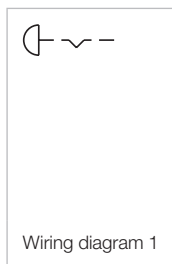
Each Part Number listed below includes all the black components shown in the 3D-drawing.

To obtain a complete unit, please select the red components from the pages shown.



Product attribute	Marking	Switching action	Part No.	Wiring diagram	Weight
 Emergency-stop switch actuator, foolproof EN IEC 60947-5-5, Front dimension Ø 27 mm					
Position indication ring black, twist to unlock clockwise	Arrows	C	61-3440.4/1	1	0.02 kg
 Emergency-stop switch actuator, foolproof EN IEC 60947-5-5, Front dimension Ø 27 mm					
Position indication ring black, twist to unlock clockwise	Stop + Arrows	C	61-3440.4/2	1	0.02 kg
 Emergency-stop switch actuator, foolproof EN IEC 60947-5-5, Front dimension Ø 27 mm					
Position indication ring green, twist to unlock clockwise	Arrows	C	61-3440.4/5	1	0.02 kg
 Emergency-stop switch actuator, foolproof EN IEC 60947-5-5, Front dimension Ø 27 mm					
Position indication ring black, twist to unlock clockwise, with adaptor for mosaic	Arrows	C	61-3440.4/1S	1	0.021 kg

Product attribute	Marking	Switching action	Part No.	Wiring diagram	Weight
 <p>Emergency-stop switch actuator, foolproof EN IEC 60947-5-5, Front dimension Ø 27 mm</p>					
Position indication ring black, twist to unlock clockwise, with metal fixing nut	Arrows	C	61-3440.4/D	1	0.02 kg
 <p>Emergency-stop switch actuator, foolproof EN IEC 60947-5-5, Front dimension Ø 27 mm</p>					
Position indication ring black, key to unlock clockwise	Stop	C	61-5441.4/K	1	0.033 kg

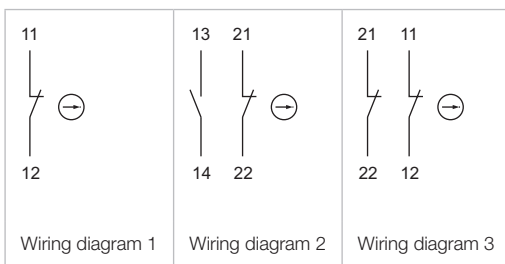
Switching action: C = Maintain




Switching element E-stop & stop

Switching voltage	Switching current	Switching system	Contacts	Contact material	Terminal	Part No.	Component layout	Wiring diagram	Weight
 <p>Switching element for emergency-stop switch, foolproof EN IEC 60947-5-5</p>									
250 VAC	5 A	Slow-make switching element	1 NC	Silver	Screw	61-8745.11	24	1	0.008 kg
			2 NC	Silver	Screw	61-8755.11	27	3	0.008 kg
			1 NC + 1 NO	Silver	Screw	61-8775.11	25	2	0.008 kg
 <p>Switching element for emergency-stop switch, foolproof EN IEC 60947-5-5</p>									
250 VAC	5 A	Slow-make switching element	1 NC	Silver	Solder 2.8 x 0.5 mm	61-8745.17	35	1	0.008 kg
			2 NC	Silver	Solder 2.8 x 0.5 mm	61-8755.17	37	3	0.008 kg
			1 NC + 1 NO	Silver	Solder 2.8 x 0.5 mm	61-8775.17	36	2	0.008 kg

Contacts: NC = Normally closed, NO = Normally open
 The component layouts you will find from page 666



Switching element stop switch

Switching voltage	Switching current	Switching system	Contacts	Contact material	Terminal	Part No.	Component layout	Wiring diagram	Weight
 <p>Switching element for stop switch, foolproof</p>									
42 VAC/DC	0.1 A	Slow-make switching element	1 NC	Gold	Solder 2.8 x 0.5 mm	61-8745.37	35	1	0.008 kg
			2 NC	Gold	Solder 2.8 x 0.5 mm	61-8755.37	37	3	0.008 kg
			1 NC + 1 NO	Gold	Solder 2.8 x 0.5 mm	61-8775.37	36	2	0.008 kg

Contacts: NC = Normally closed, NO = Normally open
 The component layouts you will find from page 666

