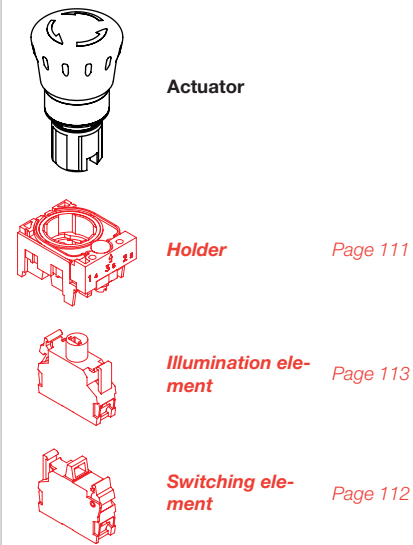


Emergency stop switch foolproof, EN IEC 60947-5-5, IP66, IP67, IP69K

Equipment consisting of (schematic overview)



Each Part Number listed below includes all the black components shown in the 3D-drawing.

To obtain a complete unit, please select the red components from the pages shown.



Product can differ from the current configuration.

Dimensions [mm]








Mounting cut-outs [mm]

Additional Information

- The standard lock: RONIS, T254
- Two keys are supplied with each key lock switch

Product attribute	Front ring	Lens	Housing material	Switching action	Part No.	Wiring diagram	Weight
	Emergency stop switch actuator, foolproof EN IEC 60947-5-5, Front dimension Ø 33.8 mm						
twist to release	Plastic black	Plastic red	Plastic	C	45-2C36.1820.000	1	0.046 kg
	Emergency stop switch actuator, foolproof EN IEC 60947-5-5, Front dimension Ø 40 mm						
twist to release	Plastic black	Plastic red	Plastic	C	45-2C36.1920.000	1	0.046 kg

45 Raised design

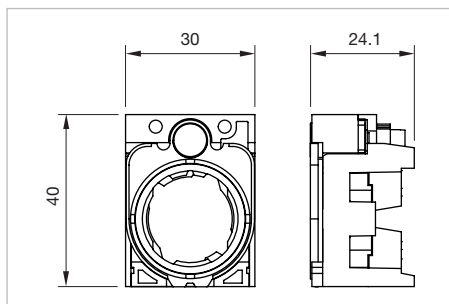
Product attribute	Front ring	Lens	Housing material	Switching action	Part No.	Wiring diagram	Weight
 <p>Emergency stop switch actuator, foolproof EN IEC 60947-5-5, Front dimension Ø 40 mm</p>							
pull release	Plastic black	Plastic red	Plastic	C	45-2C37.1920.000	1	0.046 kg
 <p>Emergency stop switch actuator, foolproof EN IEC 60947-5-5, Front dimension Ø 40 mm</p>							
twist to release, illuminable	Plastic black	Plastic red	Plastic	C	45-2D36.1920.000	1	0.046 kg
 <p>Emergency stop switch actuator, foolproof EN IEC 60947-5-5, Front dimension Ø 60 mm</p>							
twist to release	Plastic black	Plastic red	Plastic	C	45-2C36.1A20.000	1	0.056 kg
 <p>Emergency stop switch actuator, foolproof EN IEC 60947-5-5, Front dimension Ø 60 mm</p>							
twist to release, illuminable	Plastic black	Plastic red	Plastic	C	45-2D36.1A20.000	1	0.053 kg
 <p>Emergency stop switch actuator, foolproof EN IEC 60947-5-5, Front dimension Ø 40 mm</p>							
key to release	Plastic black	Plastic red	Plastic	C	45-2C35.1920.110	1	0.083 kg

Switching action: C = Maintain





Rear side

Holder for 3 elements

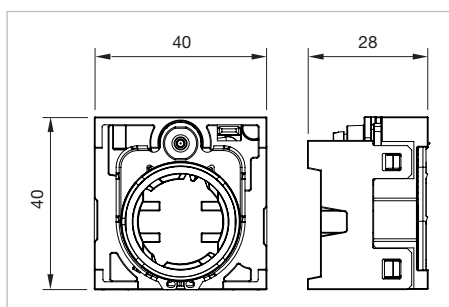


Dimensions [mm]


Material	Part No.	Component layout	Weight
 <p>Holder for 3 switching elements</p>			
Plastic	45-2300.1000.000	2	0.028 kg
 <p>Holder for 3 switching elements</p>			
Metal	45-2300.2000.000	2	0.046 kg

The component layouts you will find from Page 116


Holder for 4 elements



Dimensions [mm]

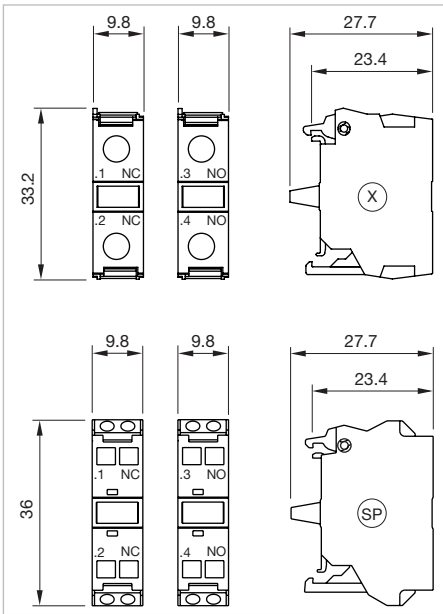
Material	Part No.	Component layout	Weight
 <p>Holder for 4 switching elements</p>			
Plastic	45-2400.1000.000	3	0.028 kg

45 Accessories

Material	Part No.	Component layout	Weight
 <p>Holder for 4 switching elements</p>			
Metal	45-2400.2000.000	3	0.046 kg



The component layouts you will find from Page 116

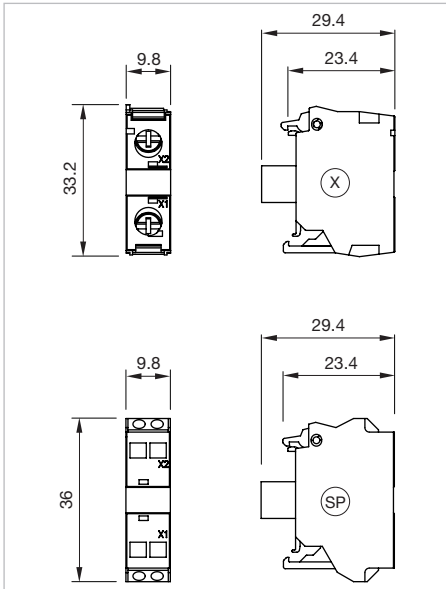
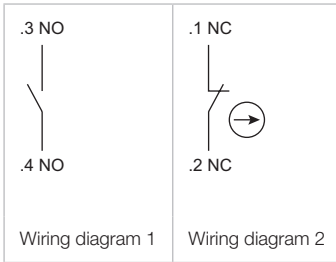
Switching element front mounting




Dimensions [mm]

X = Screw terminal, SP = Spring-type terminal





Switching current	Contacts	Contact material	Terminal	Part No.	Wiring diagram	Weight
 <p>Switching element</p>						
10 A	1 NO	Silver	Screw	45-311.1Z10	1	0.010 kg
10 A	1 NC	Silver	Screw	45-312.1Z10	2	0.010 kg
 <p>Switching element</p>						
10 A	1 NO	Silver	Spring-type terminal	45-311.1Z40	1	0.010 kg
10 A	1 NC	Silver	Spring-type terminal	45-312.1Z40	2	0.010 kg



Dimensions [mm]
 X = Screw terminal, SP = Spring-type terminal

LED colour	Operating voltage	Terminal	Part No.	Wiring diagram	Weight
 <p>Illumination element</p>					
red	24 VAC/DC	Screw	45-320.1E16	1	0.009 kg
amber	24 VAC/DC	Screw	45-320.1F16	1	0.009 kg
yellow	24 VAC/DC	Screw	45-320.1G16	1	0.009 kg
green	24 VAC/DC	Screw	45-320.1H16	1	0.009 kg
blue	24 VAC/DC	Screw	45-320.1J16	1	0.009 kg
white	24 VAC/DC	Screw	45-320.1N16	1	0.009 kg
red	230 VAC	Screw	45-320.1E18	1	0.010 kg
amber	230 VAC	Screw	45-320.1F18	1	0.010 kg
yellow	230 VAC	Screw	45-320.1G18	1	0.010 kg
green	230 VAC	Screw	45-320.1H18	1	0.010 kg
blue	230 VAC	Screw	45-320.1J18	1	0.010 kg
white	230 VAC	Screw	45-320.1N18	1	0.010 kg
red	24-240 VAC/DC	Screw	45-320.1E12	1	0.010 kg
amber	24-240 VAC/DC	Screw	45-320.1F12	1	0.010 kg
yellow	24-240 VAC/DC	Screw	45-320.1G12	1	0.010 kg
green	24-240 VAC/DC	Screw	45-320.1H12	1	0.010 kg
blue	24-240 VAC/DC	Screw	45-320.1J12	1	0.010 kg
white	24-240 VAC/DC	Screw	45-320.1N12	1	0.010 kg

45 Raised design





Product attribute	Dimension	Material	Colour	Part No.	Weight
 Legend plate					
for sticking or snapping in place	27 x 12.5 mm	Plastic	black	45-573.1102	0.001 kg
			red	45-573.1202	0.001 kg
			silver	45-573.1A02	0.001 kg
 Legend plate					
for sticking or snapping in place	27 x 17.5 mm	Plastic	black	45-573.1103	0.001 kg
			silver	45-573.1A03	0.001 kg
 Legend plate					
for sticking or snapping in place	27 x 27 mm	Plastic	black	45-573.1105	0.001 kg
			silver	45-573.1A05	0.001 kg
 Legend plate					
for sticking or snapping in place	22 x 22 mm	Plastic	silver	45-573.1A04	0.001 kg

Emergency stop legend


Additional Information

- Front panel thickness 3 mm max.

Dimension	Mounting cut-out	Marking	Colour	Product attribute	Part No.	Weight
 Emergency stop legend						
Ø 45 x 1 mm	Ø 22.5 mm	without marking	yellow		45-50K.1407	0.005 kg
 Emergency stop legend						
Ø 75 x 1 mm	Ø 22.5 mm	without marking	yellow		45-50K.1408	0.010 kg

Dimension	Mounting cut-out	Marking	Colour	Product attribute	Part No.	Weight
 Emergency stop legend						
Ø 75 x 1 mm	Ø 23 mm	without marking	yellow	self-adhesive	45-50J.1400	0.004 kg
 Emergency stop legend						
Ø 75 x 1 mm	Ø 23 mm	NOT - HALT	yellow	self-adhesive	45-50J.140Q	0.004 kg
 Emergency stop legend						
Ø 75 x 1 mm	Ø 23 mm	EMERGENCY STOP	yellow	self-adhesive	45-50J.140S	0.004 kg
 Emergency stop legend						
150 x 38 mm	Ø 23 mm	without marking	yellow	self-adhesive	45-561.1400	0.004 kg

Legend plate for potentiometer

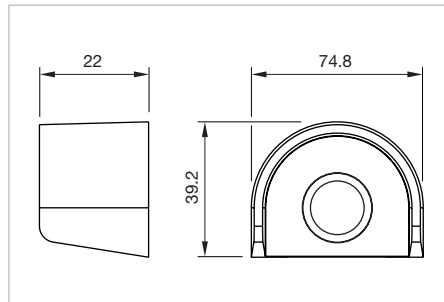
Dimension	Material	Colour	Part No.	Weight
 Legend plate for potentiometer				
Ø 40 mm	Plastic	black	45-538.1100	0.001 kg

Product attribute	Front protection	Material	Colour	Optics	Part No.	Weight
 <p>Protective cap for Mushroom-head pushbutton</p>						
for Mushroom-head pushbutton Ø 40	IP66, IP67	Silicone	colourless	transparent	45-543.1K00	0.006 kg


Emergency stop protective shroud

Additional Information

- The protection shroud is not suitable for a proper use of emergency-stop. It can obstruct a spontaneous operation of the emergency-stop



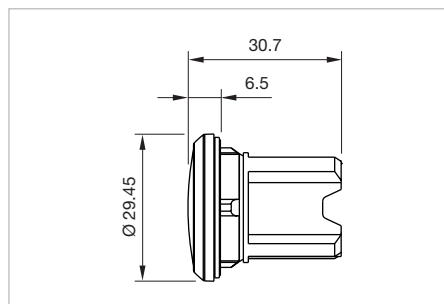
Dimensions [mm]

Material	Colour	Part No.	Weight
 <p>Emergency stop protective shroud</p>			
Plastic	yellow	45-549.1400	0.052 kg


Blind plug, IP66, IP67

Additional Information

- Use with plastic or metal holder



Dimensions [mm]

Mounting cut-out	Material	Colour	Part No.	Weight
 <p>Blind plug</p>				
Ø 22.5 mm	Plastic	black	45-506.1100	0.010 kg

Illuminated pushbutton actuator

Material

Actuator element

Plastic

Front ring

Plastic or metal

Actuator housing

Plastic or metal

Mechanical characteristics

Operating frequency

Lens flat/level with front bezel:

- Momentary max. 3 600/h
- Maintain max. 1 800/h

Lens flat/raised above front ring:

- Momentary max. 3 600/h

Lens flat/lower than front ring, with castellation:

- Momentary max. 3 600/h

Mechanical lifetime

Lens flat/level with front bezel:

- Momentary 3 000 000 switching cycles
- Maintain 500 000 switching cycles

Lens flat/raised above front ring:

- Momentary 3 000 000 switching cycles

Lens flat/lower than front ring, with castellation:

- Momentary 3 000 000 switching cycles

Vibration resistance

according to IEC 60068-2-6

20 ... 500 Hz: 5 g

Shock resistance

according to IEC 60068-2-27

Sinusoidal half-wave 50 g /11 ms

Environmental conditions

Operating temperature

-25 °C ... +70 °C

Storage temperature

-40 °C ... +80 °C

Protection degree

IP66, IP67, IP69K

Environmental category

during operation according to IEC 60721:

3K6, 3C3,3S2, 3M6

Emergency stop switch actuator

Material

Actuator element

Plastic red

Actuator housing

Plastic or metal

Mechanical characteristics

Type of unlocking device

Twist to release, pull release or key to release

Operating frequency

max. 600/h

Mechanical lifetime

300 000 switching cycles

Vibration resistance

according to IEC 60068-2-6

2 ... 500 Hz: 5 g

Shock resistance

according to IEC 60068-2-27

Sinusoidal half-wave 50 g /11 ms

Environmental conditions

Operating temperature

-25 °C ... +70 °C

Storage temperature

-40 °C ... +80 °C

Protection degree

IP66, IP67, IP69K

Environmental category

during operation according to IEC 60721:

3K6, 3C3,3S2, 3M6